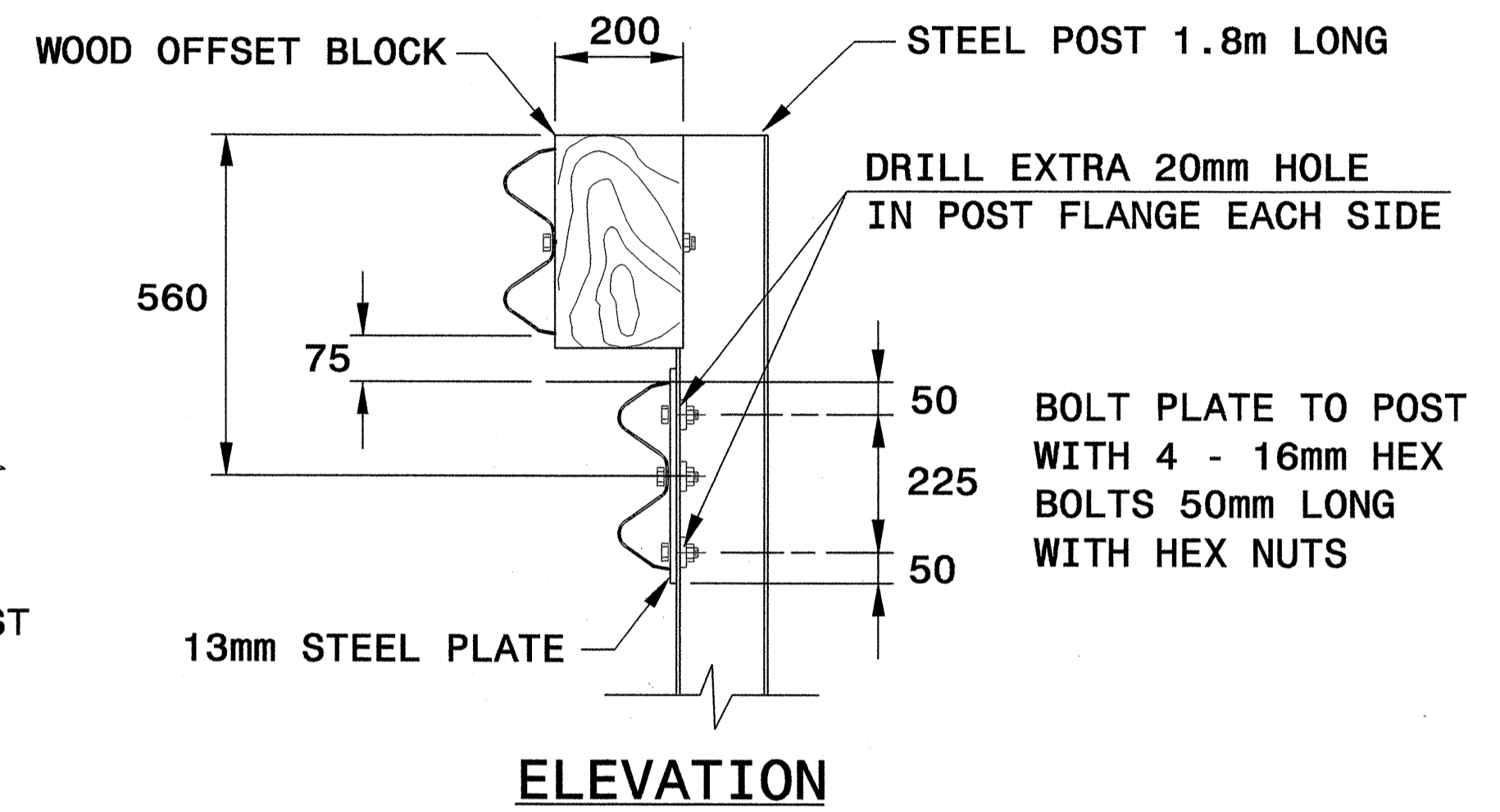
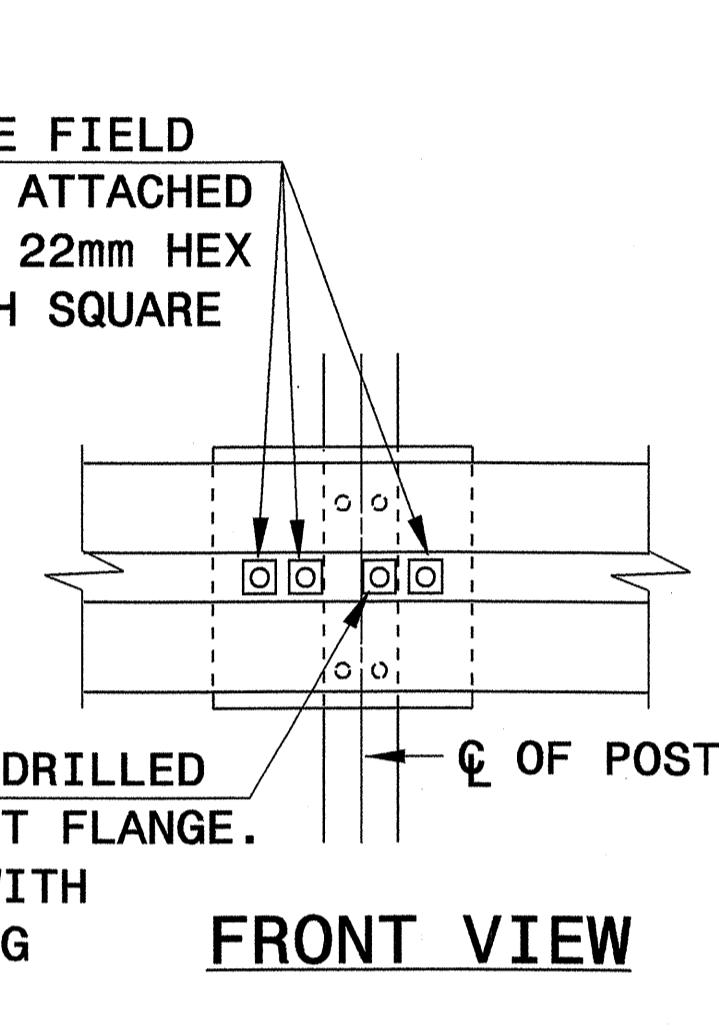
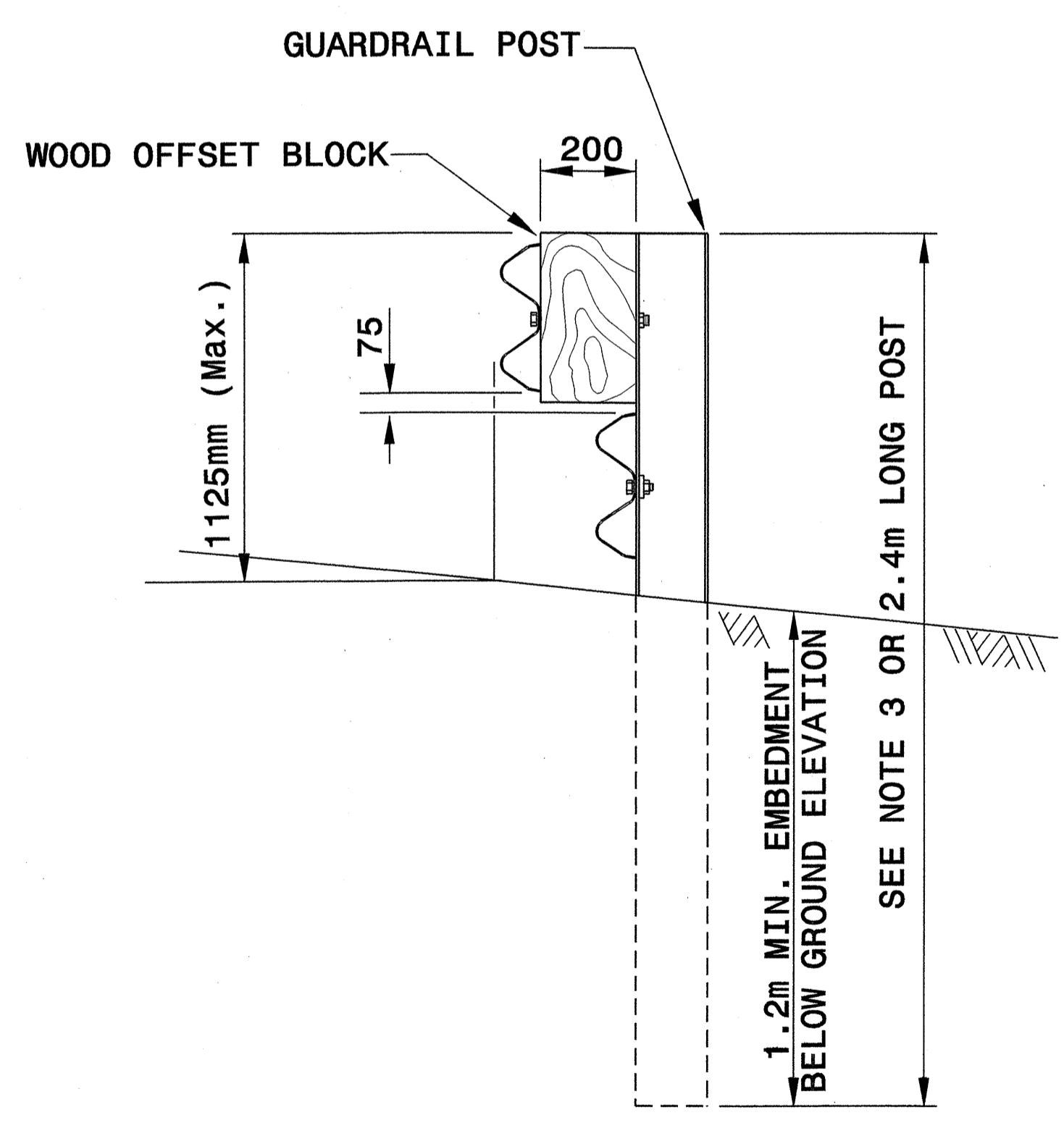


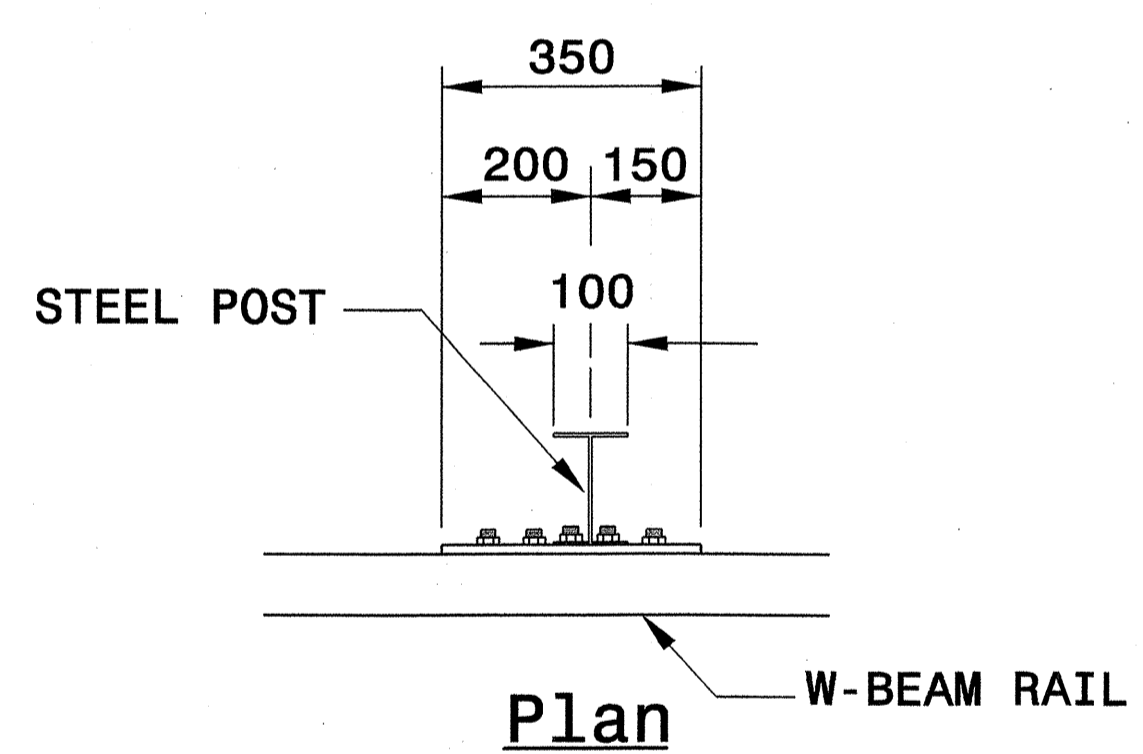
3 - 22mm HOLES TO BE FIELD DRILLED IN RAIL AND ATTACHED TO STEEL PLATE WITH 22mm HEX BOLTS 50mm LONG WITH SQUARE WASHER



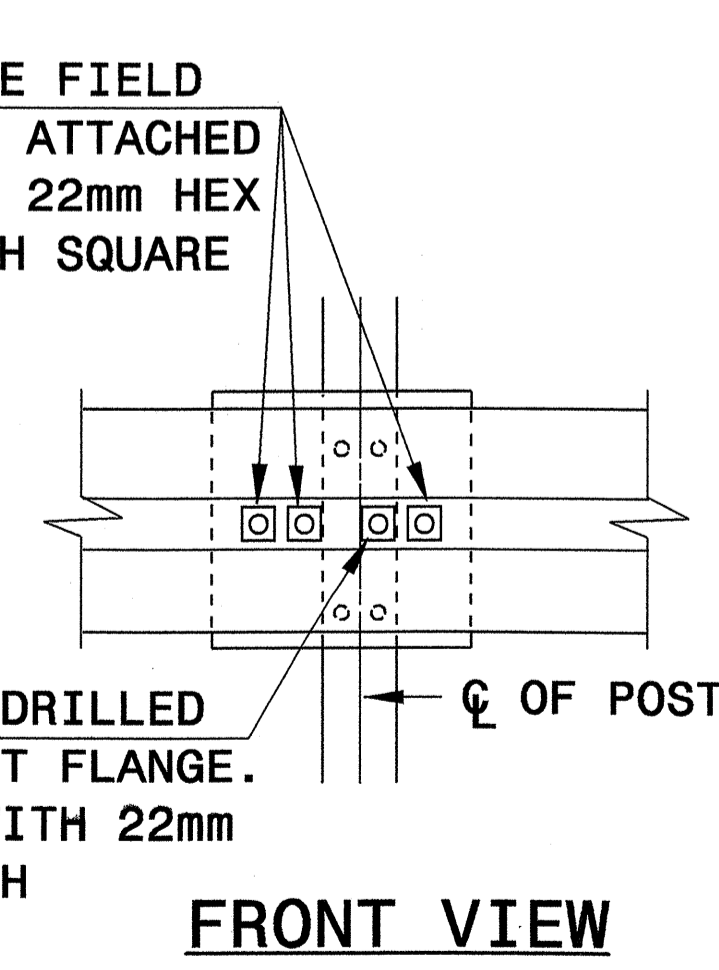
**RUBRAIL ANCHOR DETAILS**



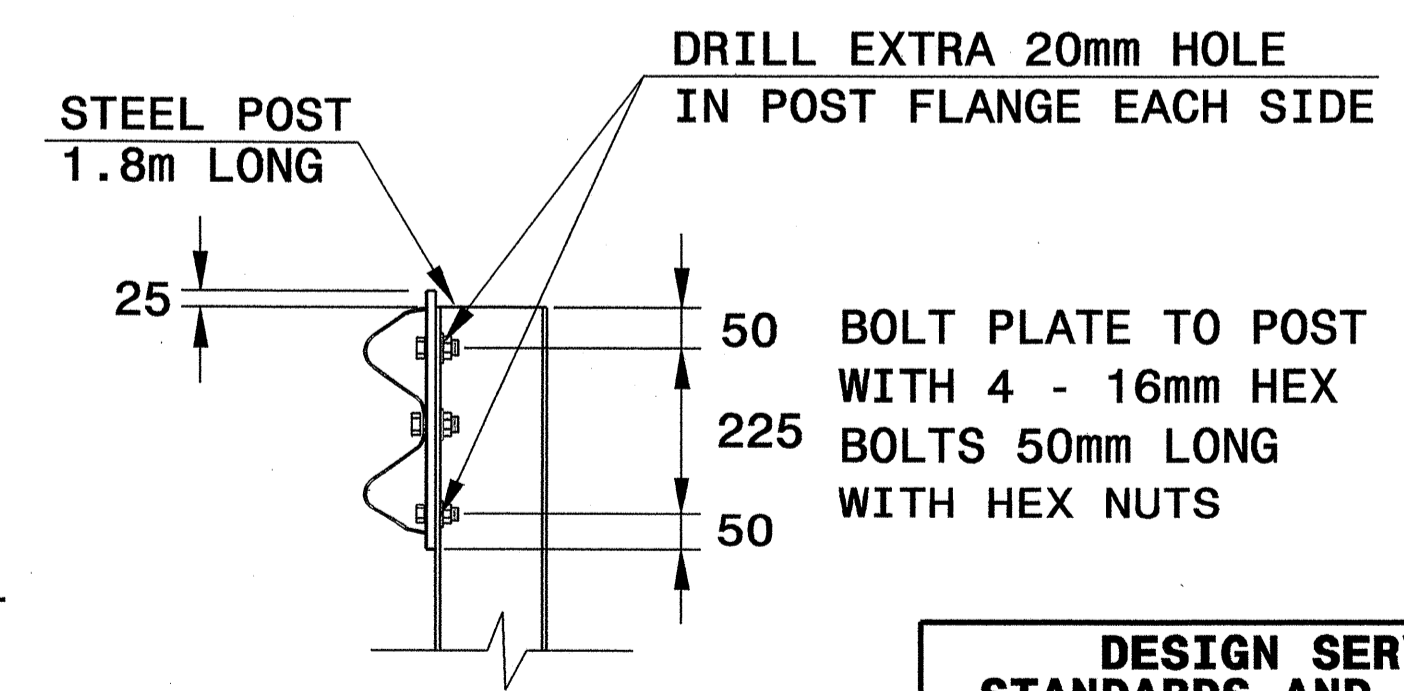
**RAIL ATTACHMENT DETAIL**



3 - 25mm HOLES TO BE FIELD DRILLED IN RAIL AND ATTACHED TO STEEL PLATE WITH 22mm HEX BOLTS 50mm LONG WITH SQUARE WASHER



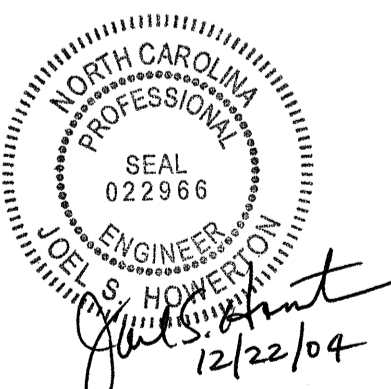
**POST ANCHOR DETAILS**



**DESIGN SERVICES UNIT**  
STANDARDS AND SPECIAL DESIGN  
Office 919-250-4128 FAX 919-250-4119

**DETAIL OF GUARDRAIL BURIED IN CUT (BIC)**

ORIGINAL BY: FHWA-G4 SYSTEM DATE: 8-13-98  
MODIFIED BY: E.E. WARD DATE: 12-11-01  
CHECKED BY: *E.E. Ward* DATE: 12-01  
FILE SPEC.: ericward/misc/guardrail/BIC.dgn



18 DEC 2001 08:44  
 C:\p01\ericward\misc\guardrail\BIC\BIC.dgn  
 ericward  
 AT 05188660