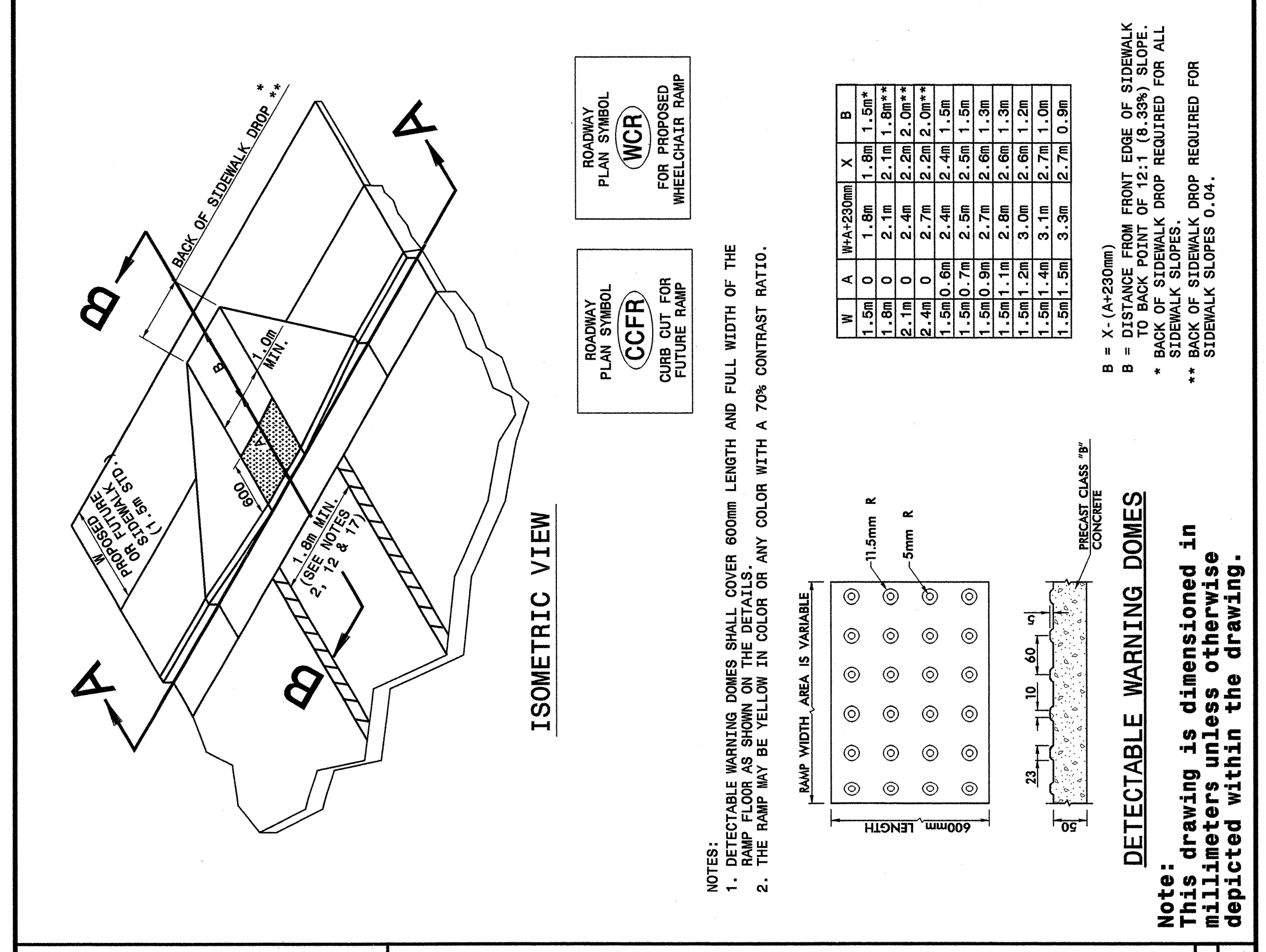
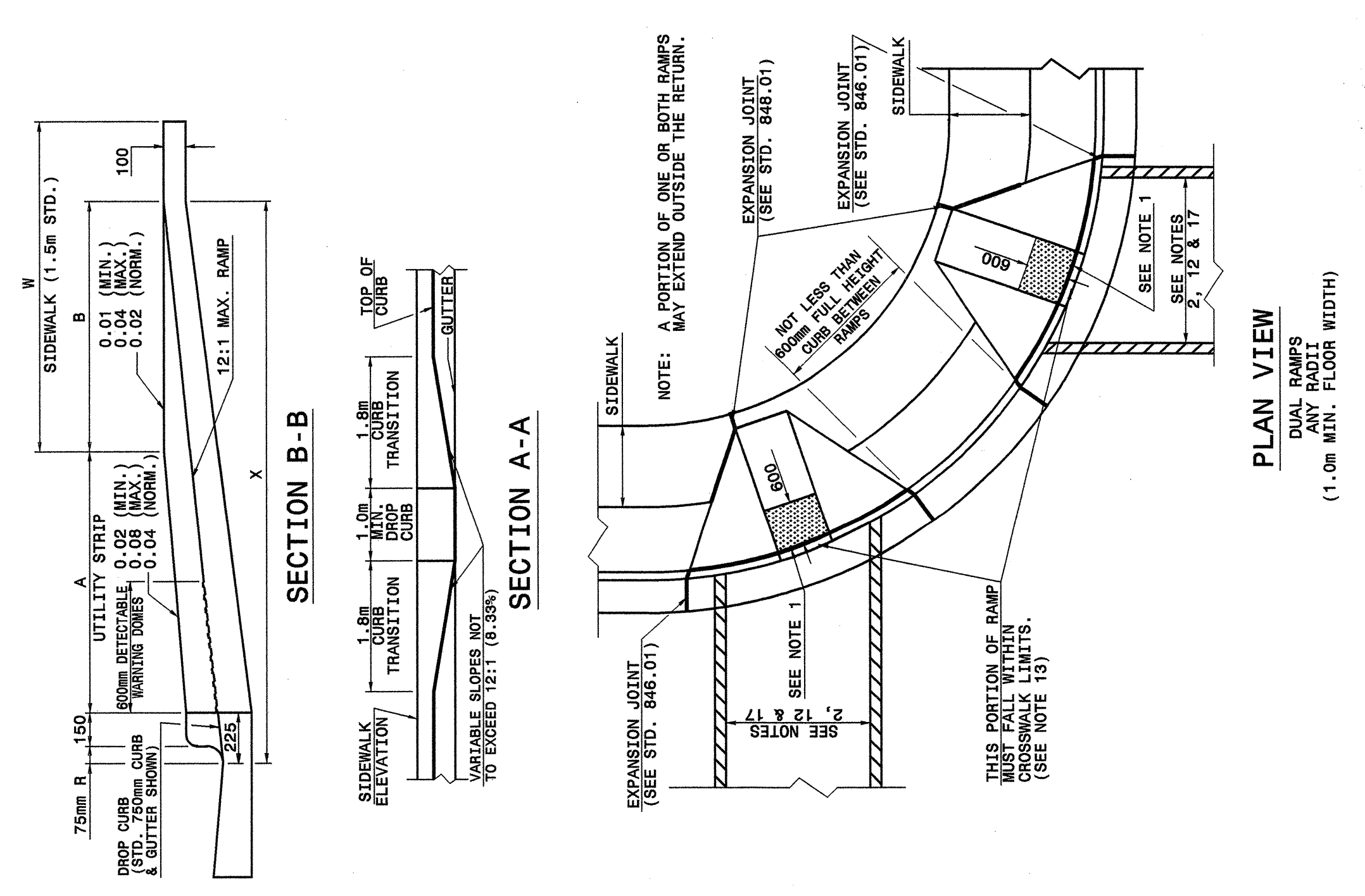




STATE OF NORTH CAROLINA DEPT. OF TRANSPORTATION DIVISION OF HIGHWAYS RALEIGH, N.C.

METRIC DETAIL DRAWING FOR WHEELCHAIR RAMP CURB CUT

SHEET 1 OF 4 848D05



STATE OF NORTH CAROLINA DEPT. OF TRANSPORTATION DIVISION OF HIGHWAYS RALEIGH, N.C.

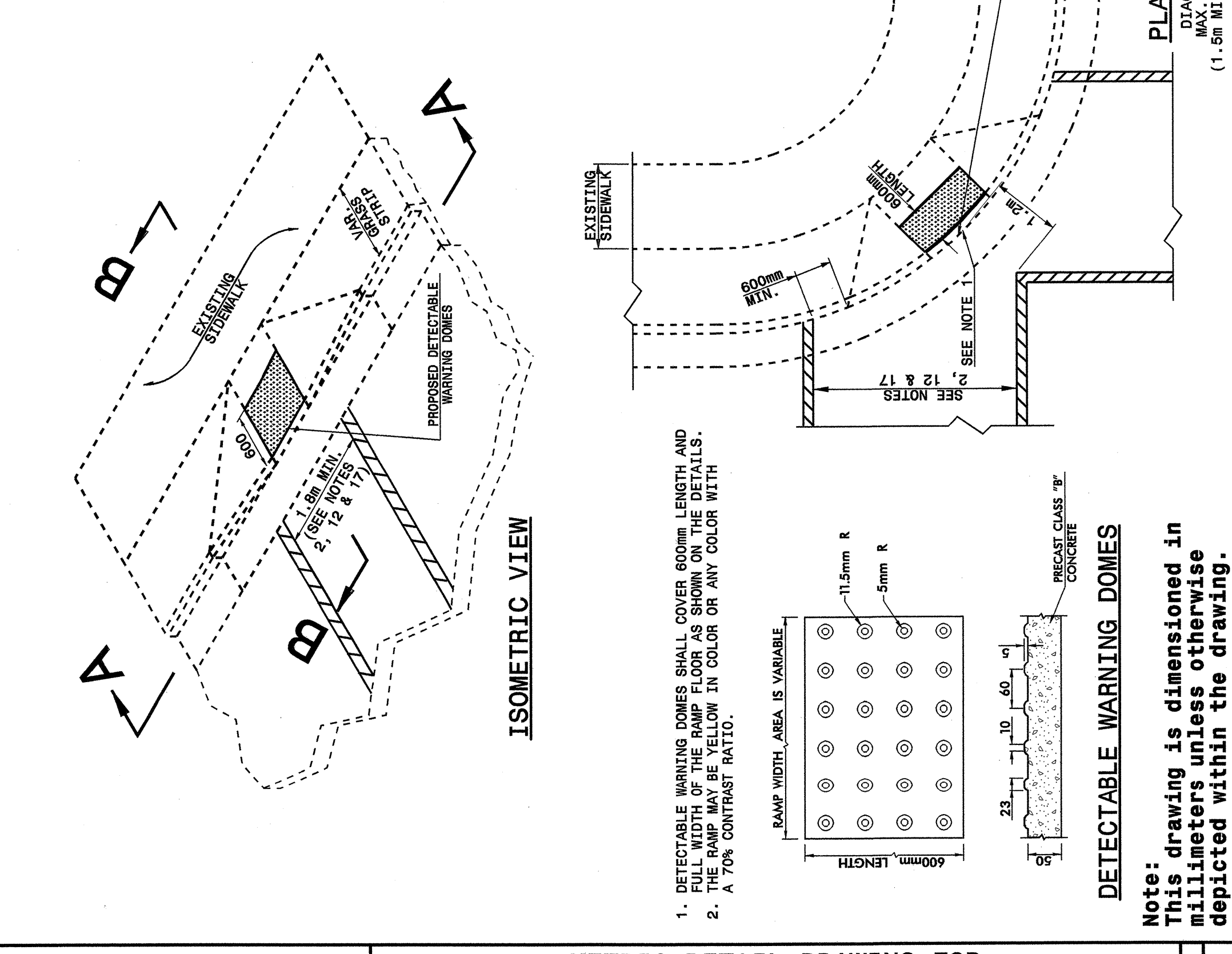
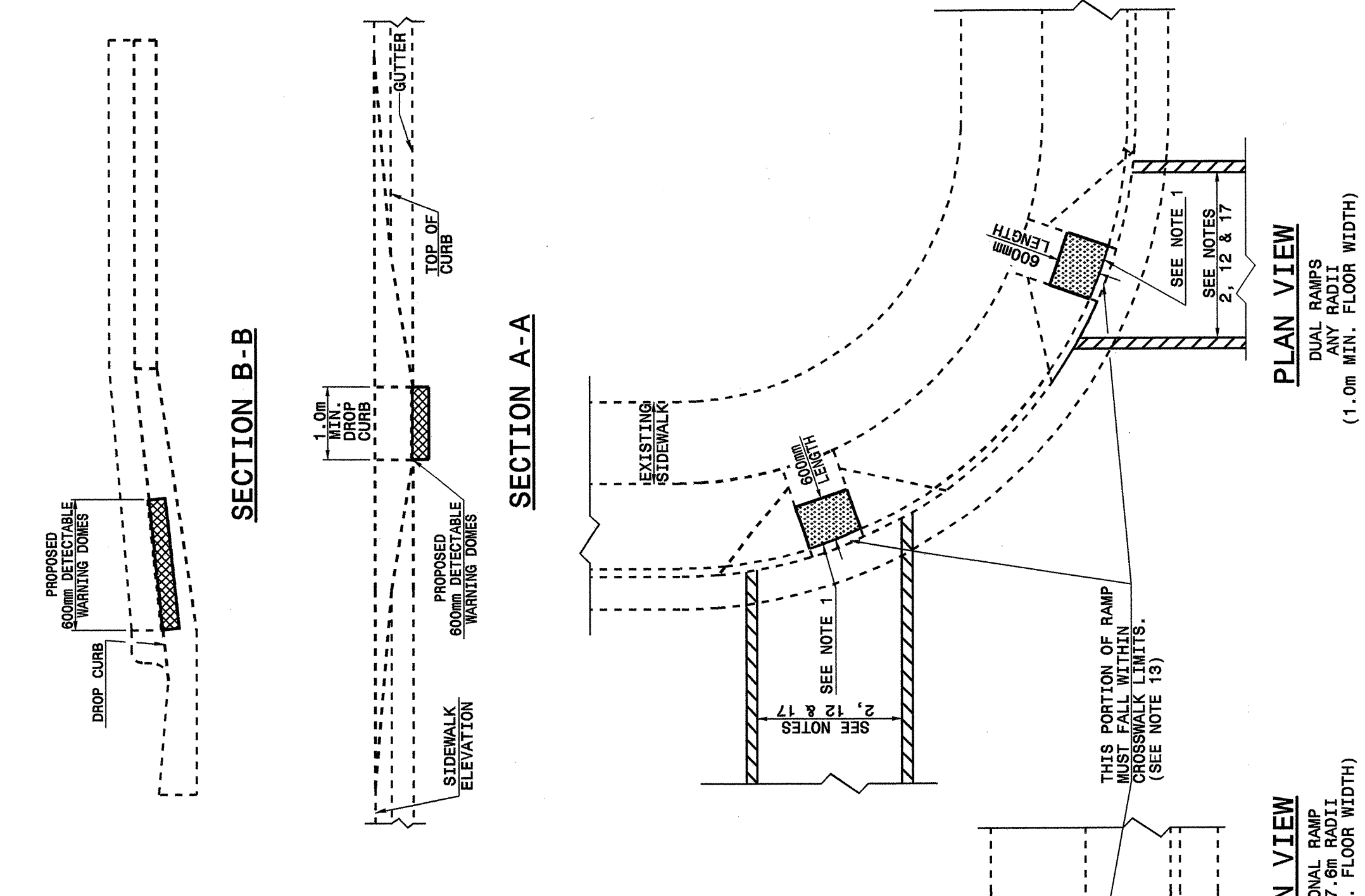
METRIC DETAIL DRAWING FOR WHEELCHAIR RAMP CURB CUT

SHEET 1 OF 4 848D05

STATE OF NORTH CAROLINA DEPT. OF TRANSPORTATION DIVISION OF HIGHWAYS RALEIGH, N.C.

METRIC DETAIL DRAWING FOR RETROFITTING DETECTABLE WARNING DOMES ONTO EXISTING WHEELCHAIR RAMP CURB CUT

SHEET 2 OF 4 848D05



STATE OF NORTH CAROLINA DEPT. OF TRANSPORTATION DIVISION OF HIGHWAYS RALEIGH, N.C.

METRIC DETAIL DRAWING FOR RETROFITTING DETECTABLE WARNING DOMES ONTO EXISTING WHEELCHAIR RAMP CURB CUT

SHEET 2 OF 4 848D05

26 JUN 2003 09:18 a:\projects\stds\02\stds to Special Details\metric\84805\084805m.dgn
 serward AT 05212260

DESIGN SERVICES UNIT
STANDARDS AND SPECIAL DESIGN
Office 919-250-4128 FAX 919-250-4119

SEE PLATE FOR TITLE

ORIGINAL BY: 2002 STD_848_05DATE: _____
 MODIFIED BY: E.E. WARD DATE: 06-26-03
 CHECKED BY: *[Signature]* DATE: 6-22-04
 FILE SPEC.: .\usr\stds\02\std\std11\metric\84805\84805.dgn

