

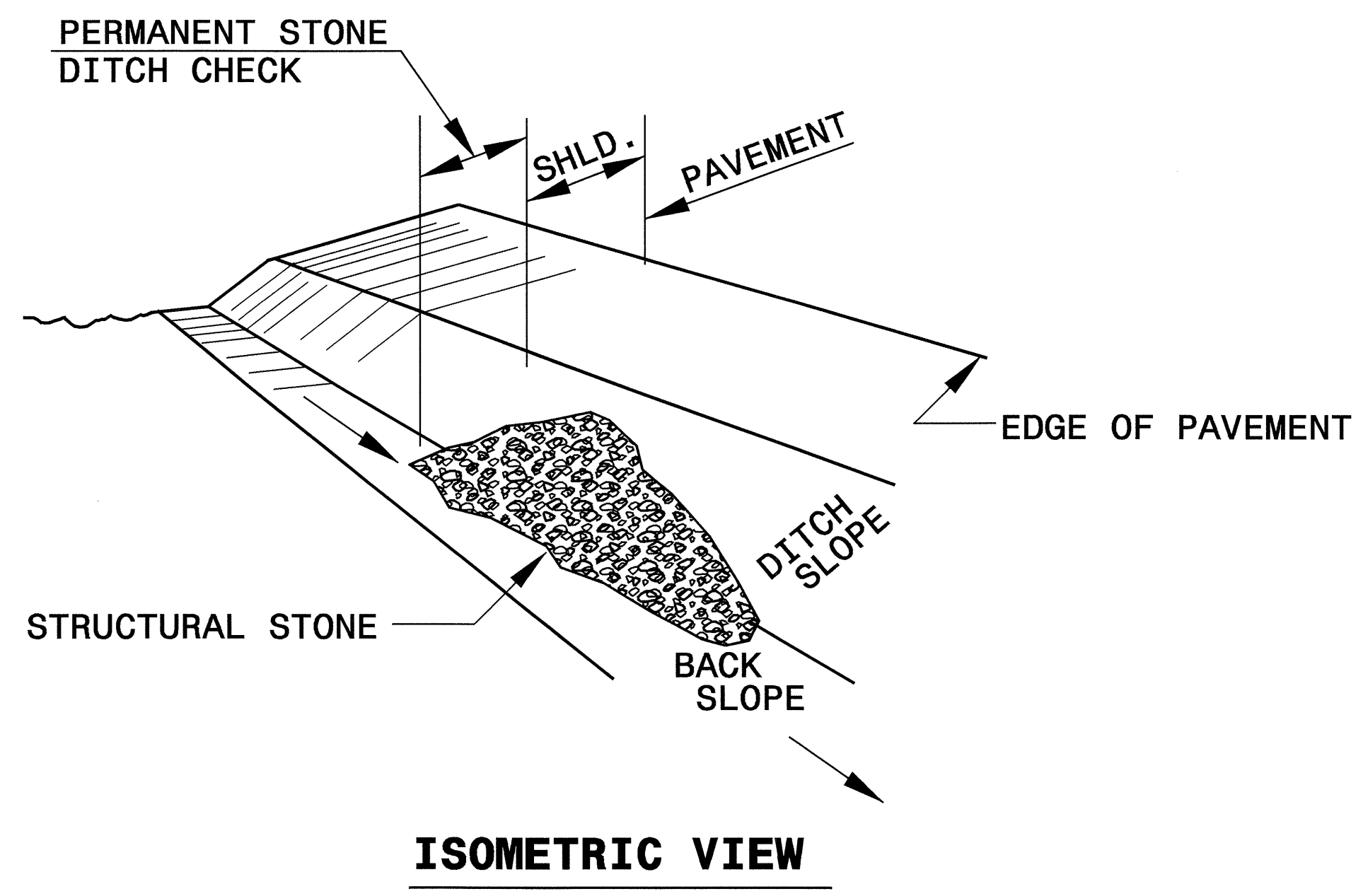


STATE OF NORTH CAROLINA  
 DEPT. OF TRANSPORTATION  
 DIVISION OF HIGHWAYS  
 RALEIGH, N.C.

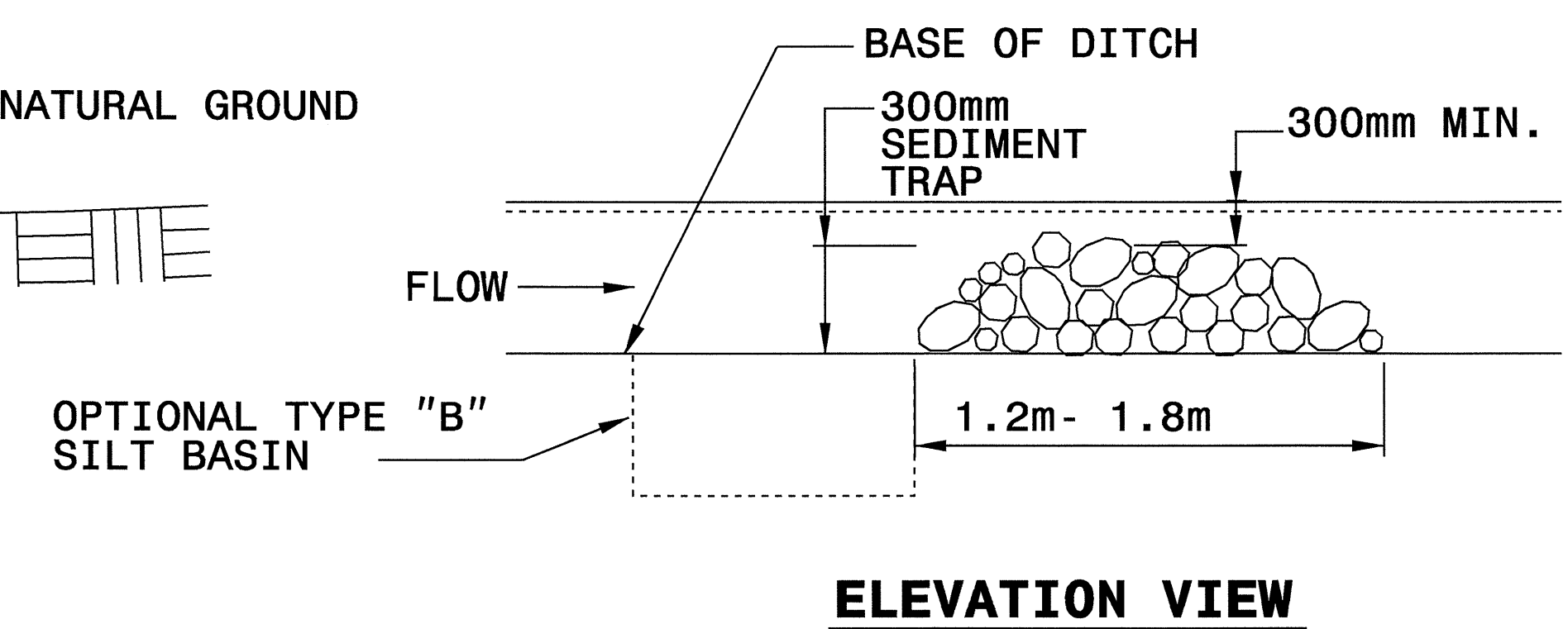
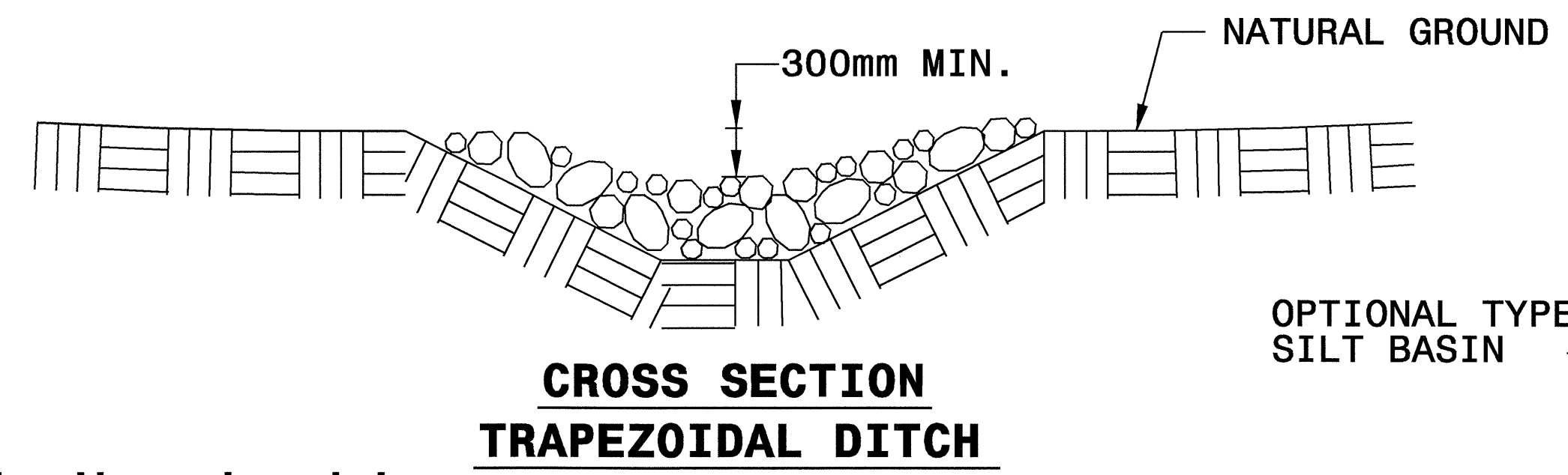
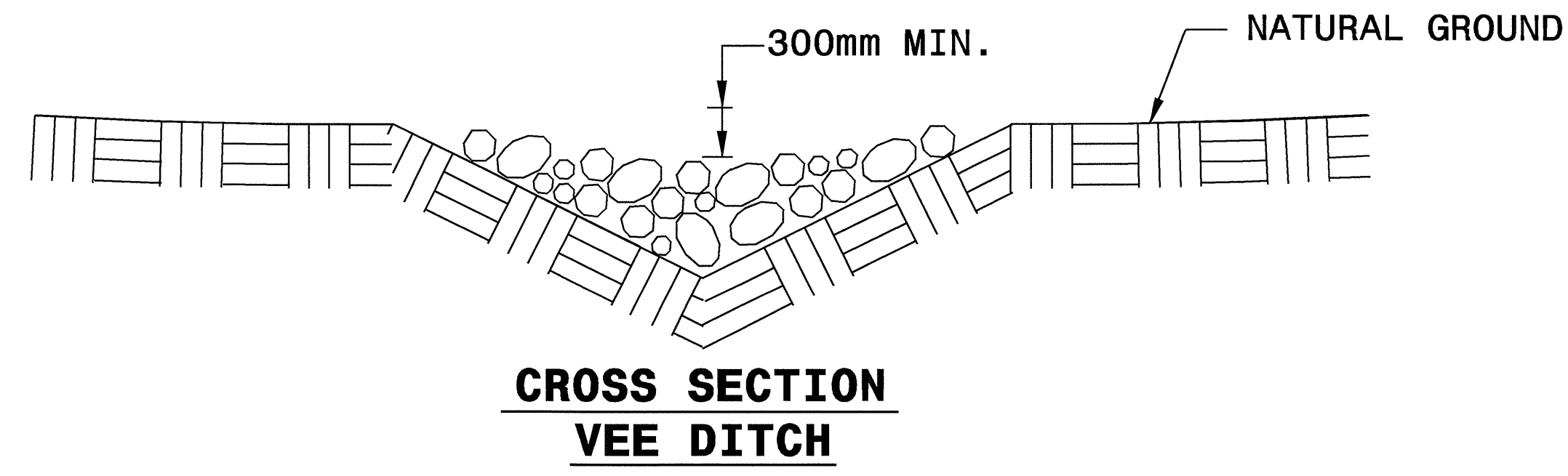
METRIC DETAIL DRAWING FOR  
**PERMANENT ROCK SILT CHECK TYPE 'B'**

SHEET 1 OF 1  
**1633D02**

**Note:**  
 This drawing is dimensioned in millimeters unless otherwise depicted within the drawing.



**NOTES:**  
 USE CLASS "B" STONE FOR STRUCTURAL STONE FOR EROSION CONTROL AND PAY FOR AT THE CONTRACT UNIT PRICE PER TON 'STONE FOR EROSION CONTROL CLASS "B"'.  
 THE ENGINEER MAY DIRECT THE OPTION OF CLASS "A" STONE FOR SITES HAVING LESS THAN ONE (1) ACRE DRAINAGE AREA AND A DITCH GRADE LESS THAN 3%. PAY FOR AT UNIT PRICE PER TON 'STONE FOR EROSION CONTROL CLASS "A"'.



STATE OF NORTH CAROLINA  
 DEPT. OF TRANSPORTATION  
 DIVISION OF HIGHWAYS  
 RALEIGH, N.C.

METRIC DETAIL DRAWING FOR  
**PERMANENT ROCK SILT CHECK TYPE 'B'**

SHEET 1 OF 1  
**1633D02**

**PROJECT SERVICES UNIT**  
**STANDARDS AND SPECIAL DESIGN**  
 Office 919-250-4128 FAX 919-250-4119

**SEE PLATE FOR TITLE**

ORIGINAL BY: 2002 STANDARDS DATE: 01-15-02  
 MODIFIED BY: E.E. WARD DATE: 12-14-04  
 CHECKED BY: *[Signature]* DATE: 12/14/04  
 FILE SPEC.: Usr/details/metric/stand/1633d02.dgn



14-DEC-2004 11:11  
 W:\Special1\Detail\1226ward\usr\details\metric\stand\1633d02.dgn  
 .forward  
 R1 05212260