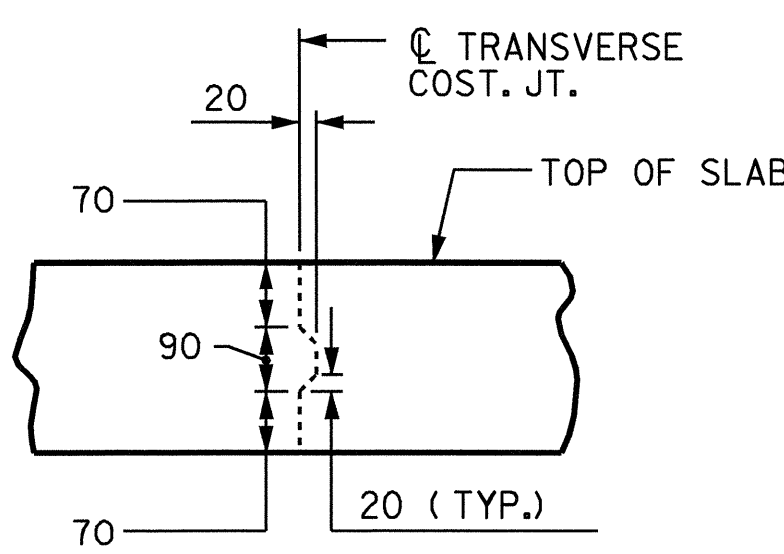


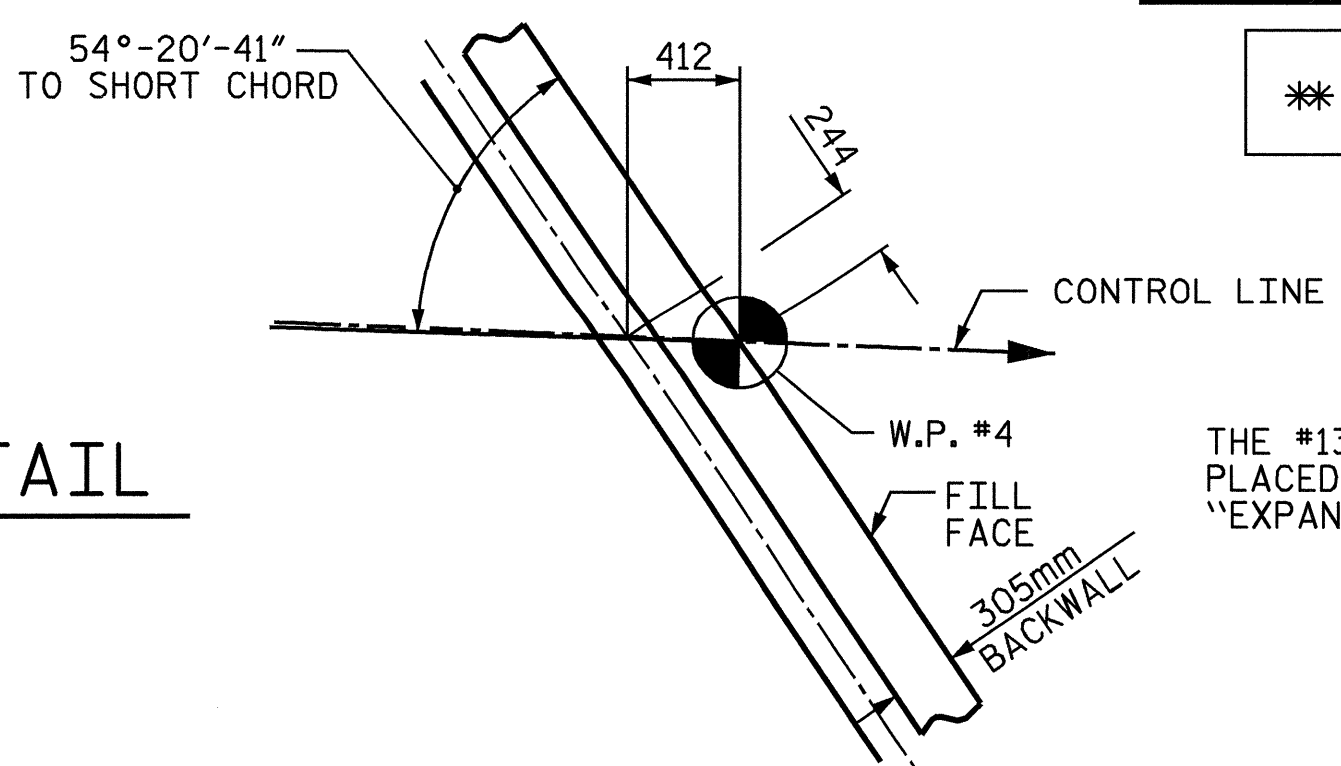
PLAN OF SPAN C

* - RADIAL DIMENSIONS



TRANSVERSE CONSTRUCTION JOINT DETAIL

NOTE: REINFORCING STEEL IN SLAB NOT SHOWN. LONGITUDINAL REINFORCING STEEL SHALL BE CONTINUOUS THRU JOINT.



DETAIL B

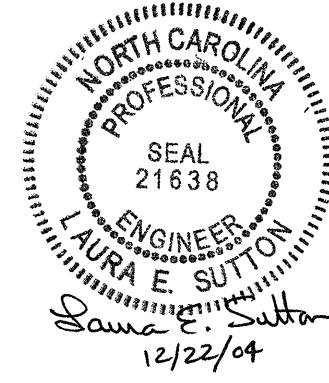
THE #13 J1 BARS ARE TO BE PLACED AS SPECIFIED ON THE "EXPANSION JOINT DETAILS" SHEET.

PROJECT NO. R-0977A
 CHEROKEE COUNTY
 STATION: 41+19.524-LREV-

SHEET 3 OF 3

STATE OF NORTH CAROLINA
 DEPARTMENT OF TRANSPORTATION
 RALEIGH

SUPERSTRUCTURE
 PLAN OF SPANS



REVISIONS						SHEET NO.
NO.	BY:	DATE:	NO.	BY:	DATE:	S-131
1			3			TOTAL SHEETS
2			4			230

DRAWN BY: B.N.BARODAWALA DATE: 1-20-04
 CHECKED BY: MIKE ALLEN DATE: 11-04