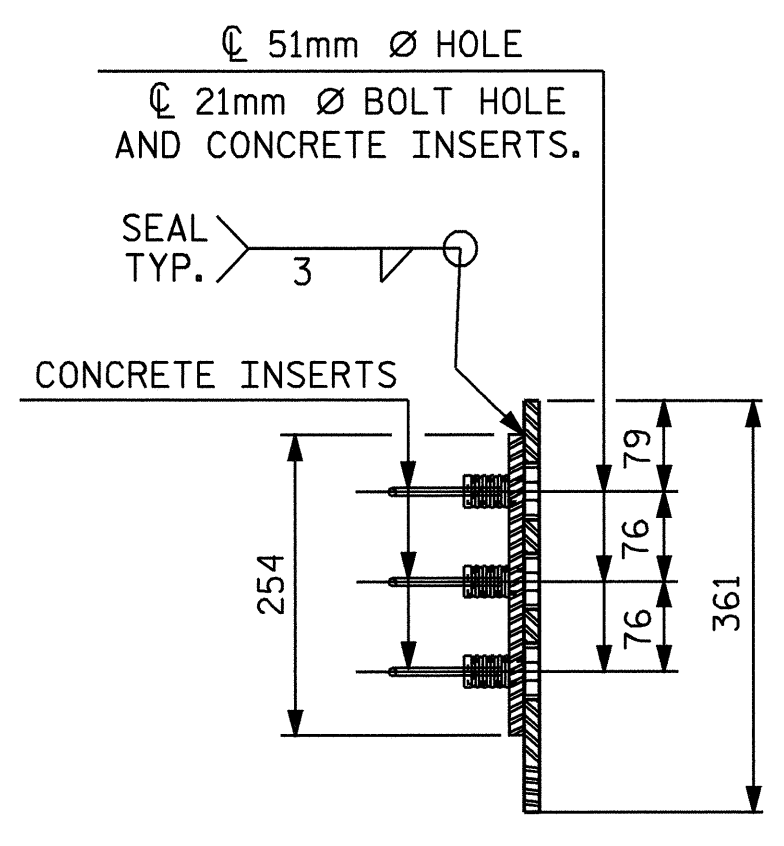
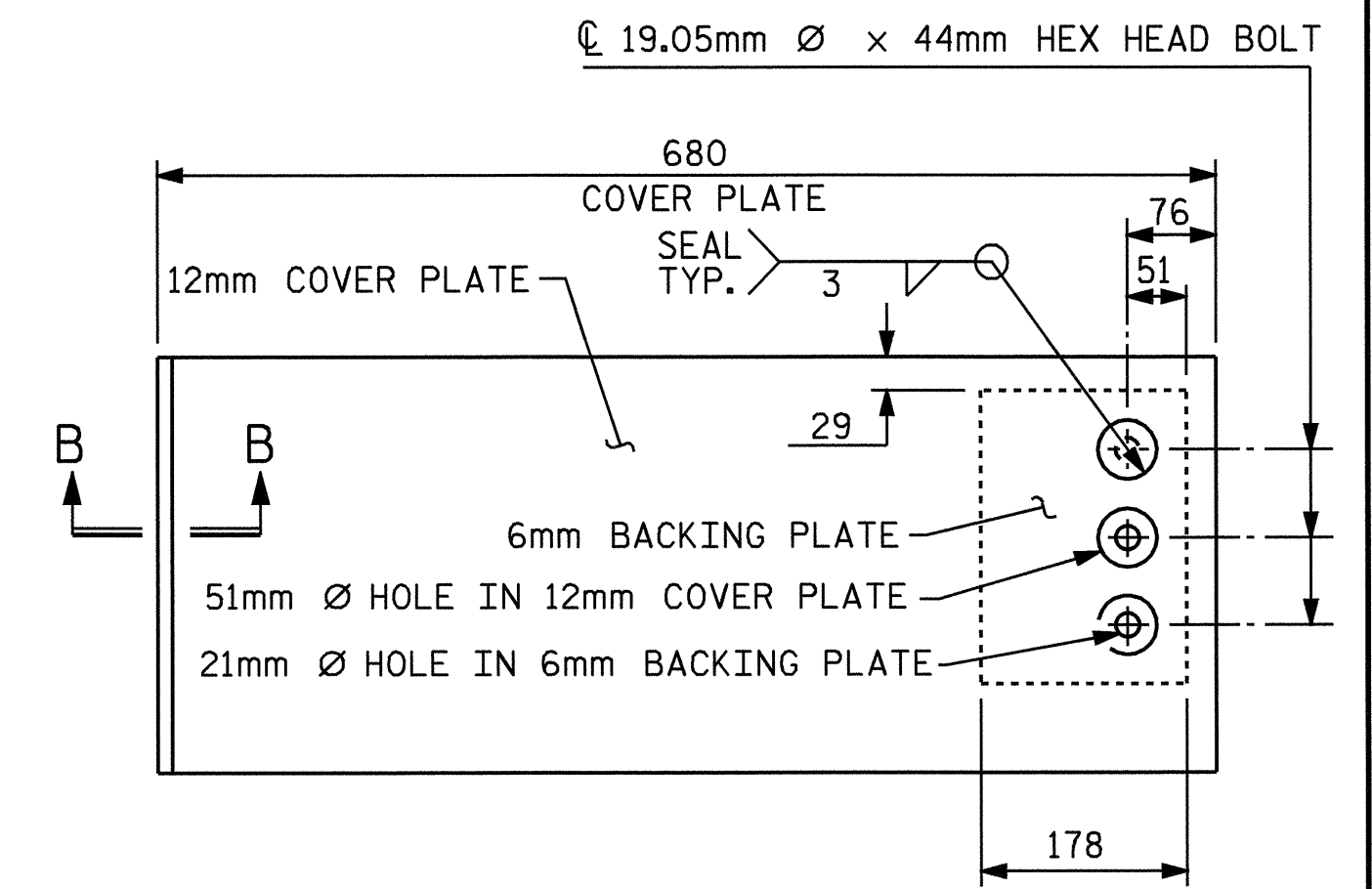


SECTION THRU RAIL NORMAL TO JOINT



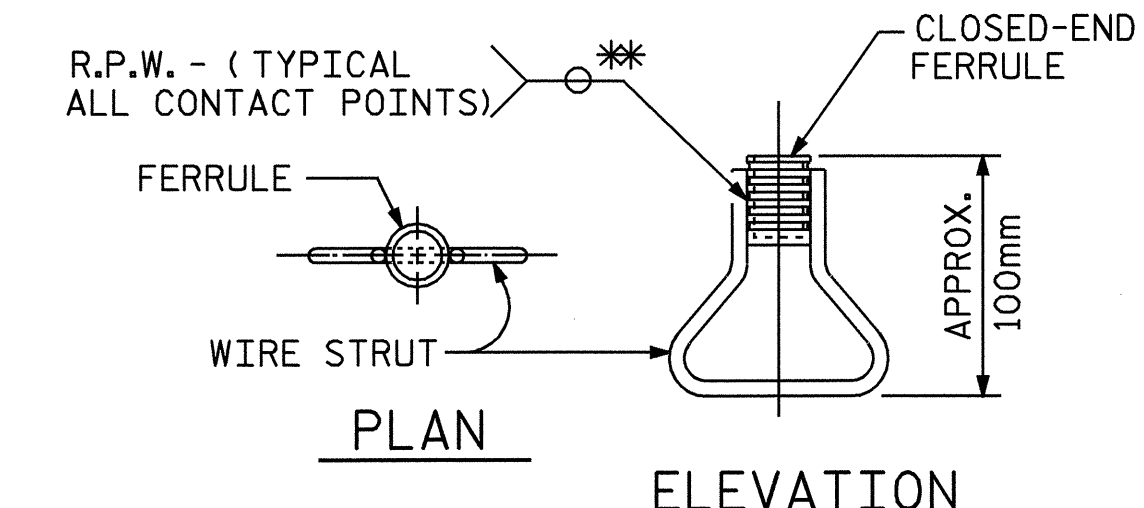
END VIEW

SECTION B - B



TYPE II - ELEVATION VIEW

COVER PLATE DETAILS

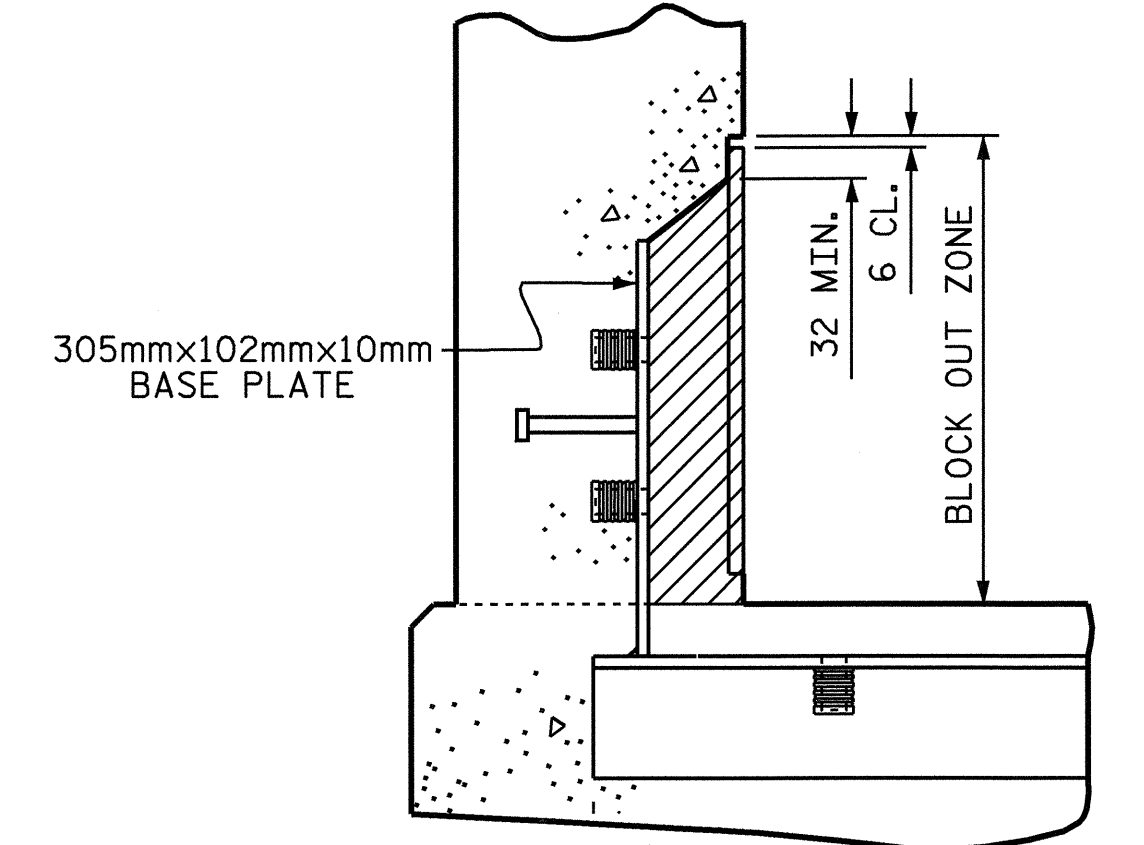


PLAN

ELEVATION

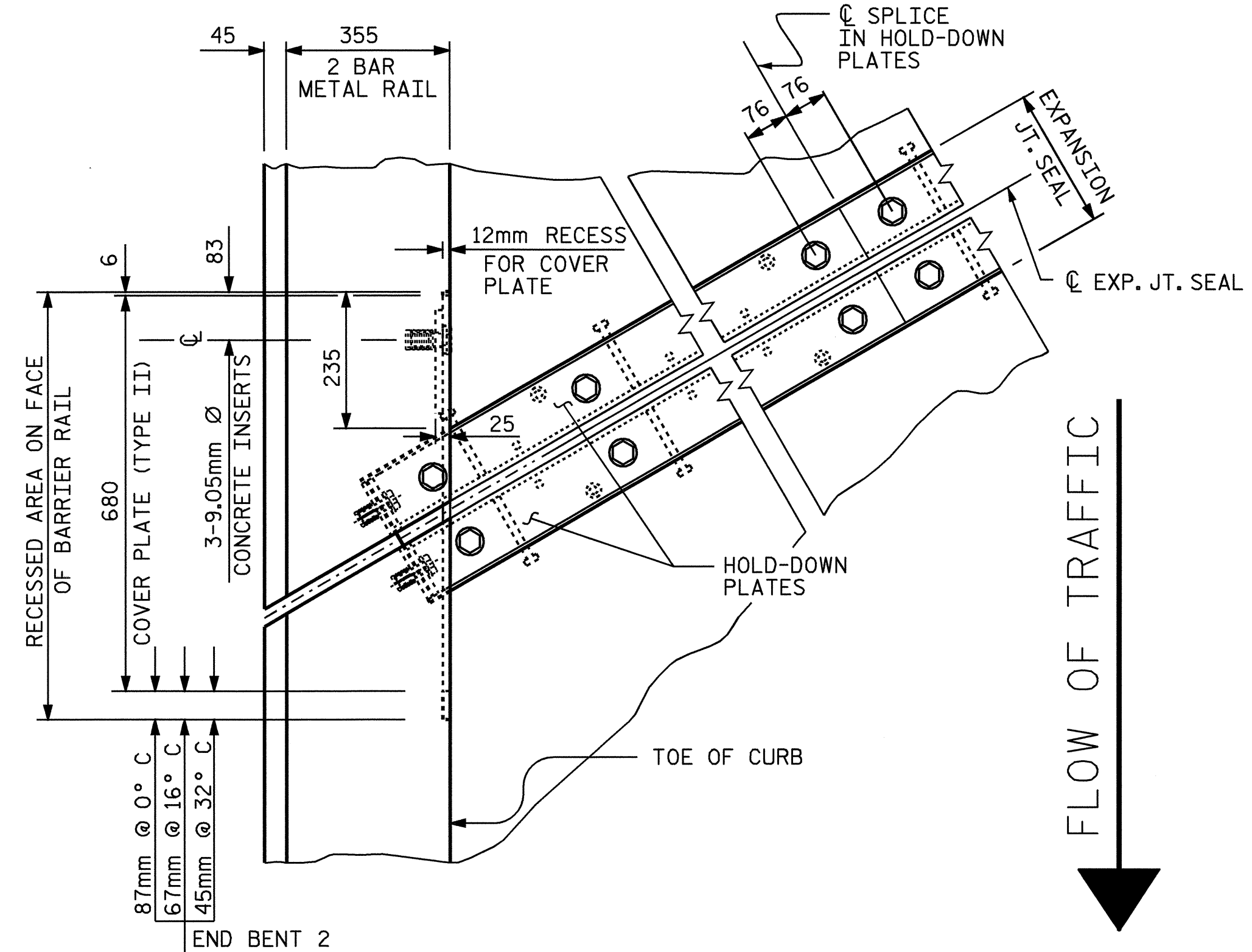
CONCRETE INSERT

* EACH WELDED ATTACHMENT OF WIRE TO FERRULE SHALL DEVELOP THE TENSILE STRENGTH OF THE WIRE

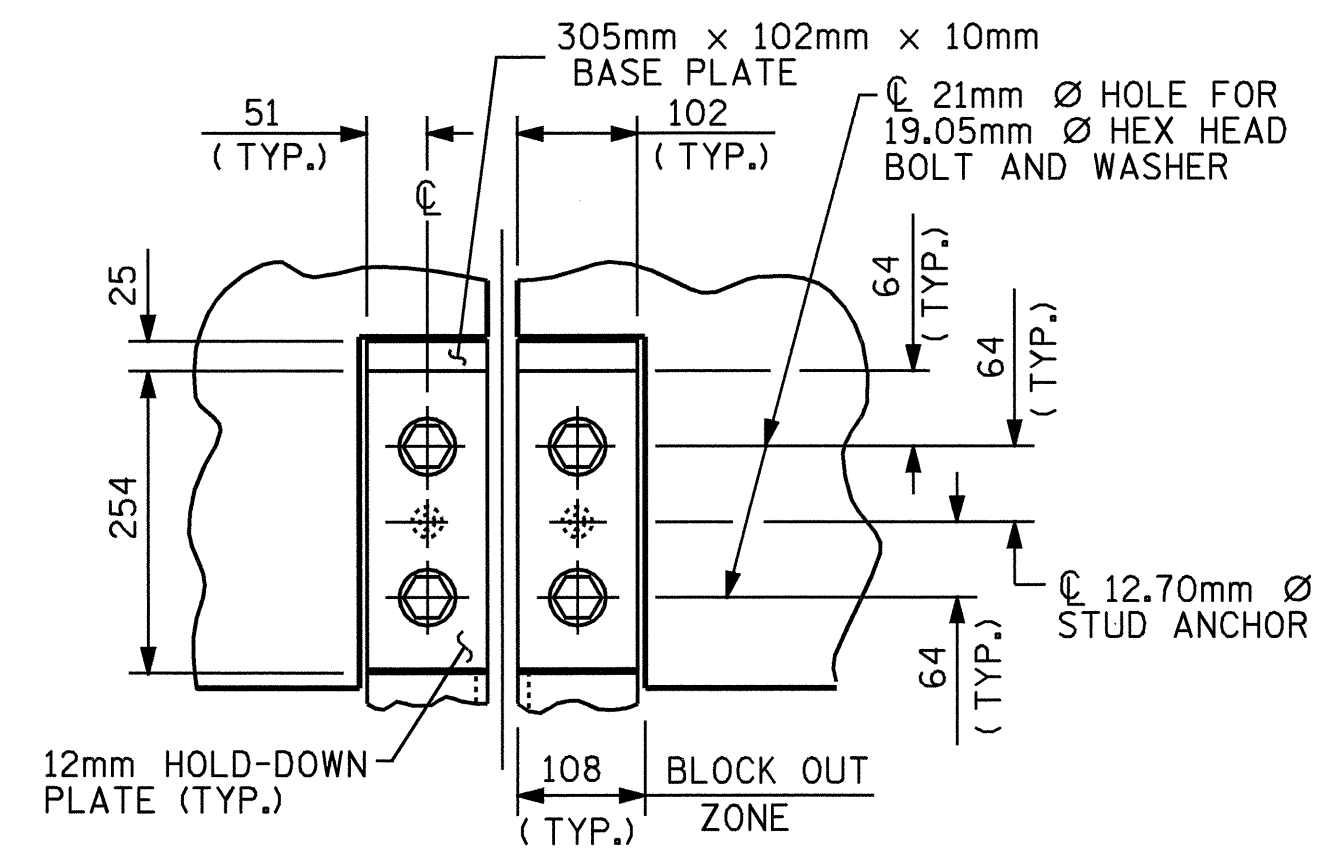


BLOCK OUT DETAIL

SEE "SECTION A - A" FOR OTHER DETAILS.



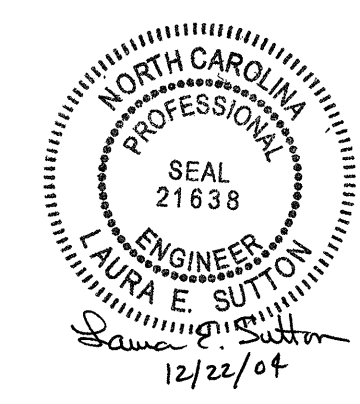
PLAN OF EXPANSION JOINT SEAL - LEFT SIDE



SECTION A - A

PROJECT NO. R-0977A
CHEROKEE COUNTY
 STATION: 41+19.524-LREV-

SHEET 2 OF 3



EXPANSION JOINT SEAL DETAILS FOR CONCRETE PARAPET

REVISIONS						SHEET NO.
NO.	BY:	DATE:	NO.	BY:	DATE:	S-152
1			3			TOTAL SHEETS
2			4			230

DRAWN BY: B.N.BARODAWALA DATE: 11-17-04
 CHECKED BY: MIKE ALLEN DATE: 11-04

21-DEC-2004 07:26
 W:\SquadL\0977A\str4\bbarodawala\R0977A_sd_JS_04.dgn
 lsutton

STR. #4