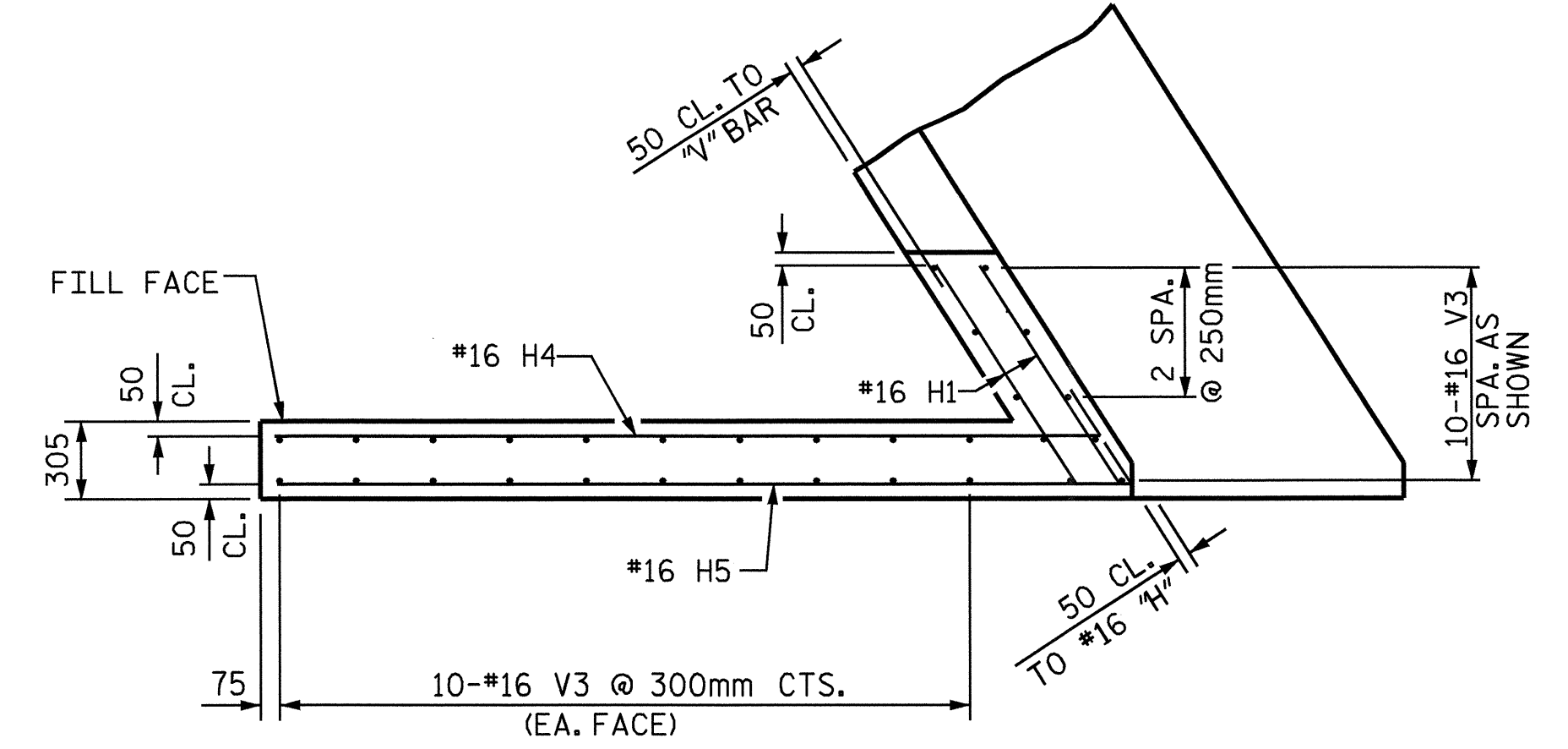
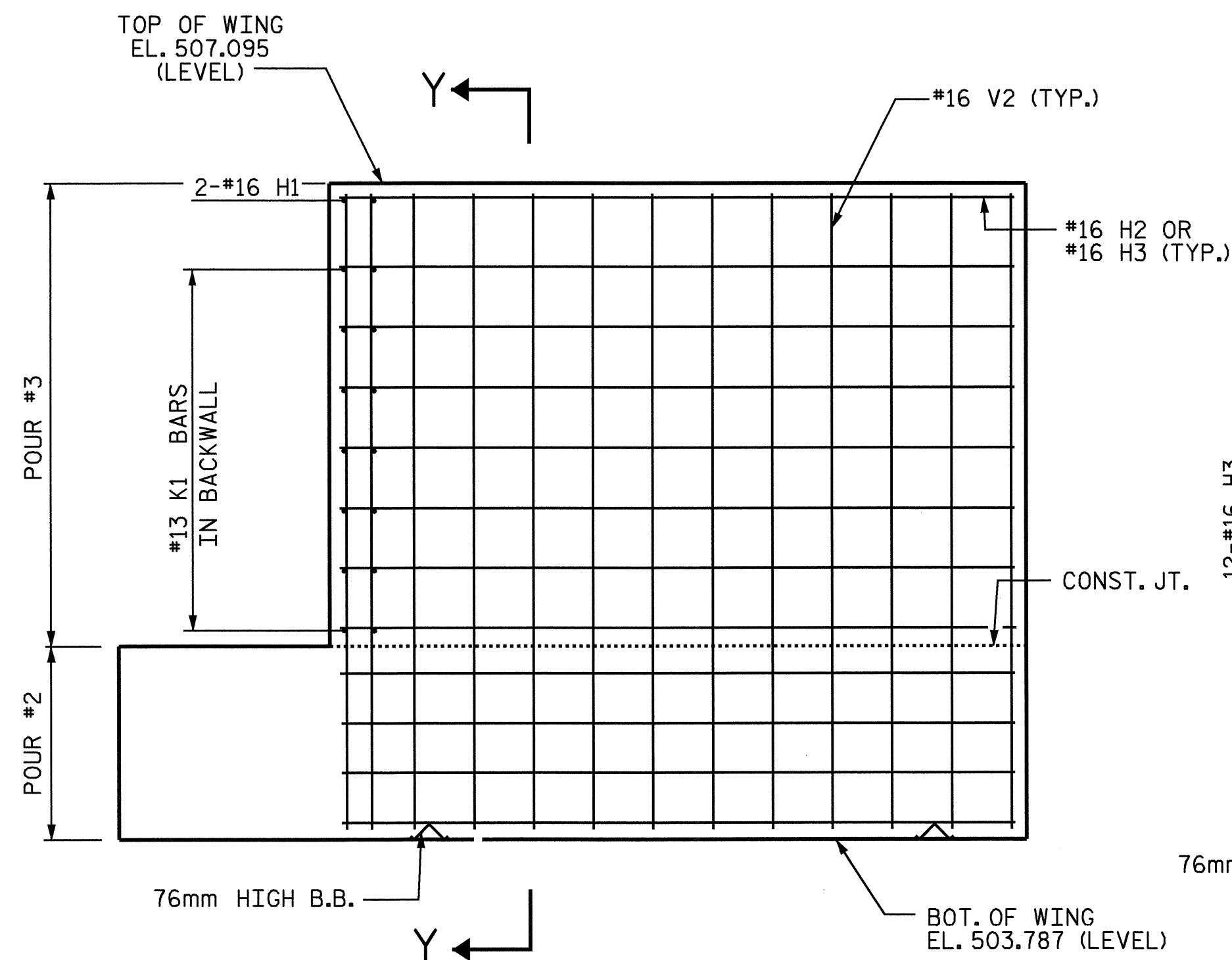


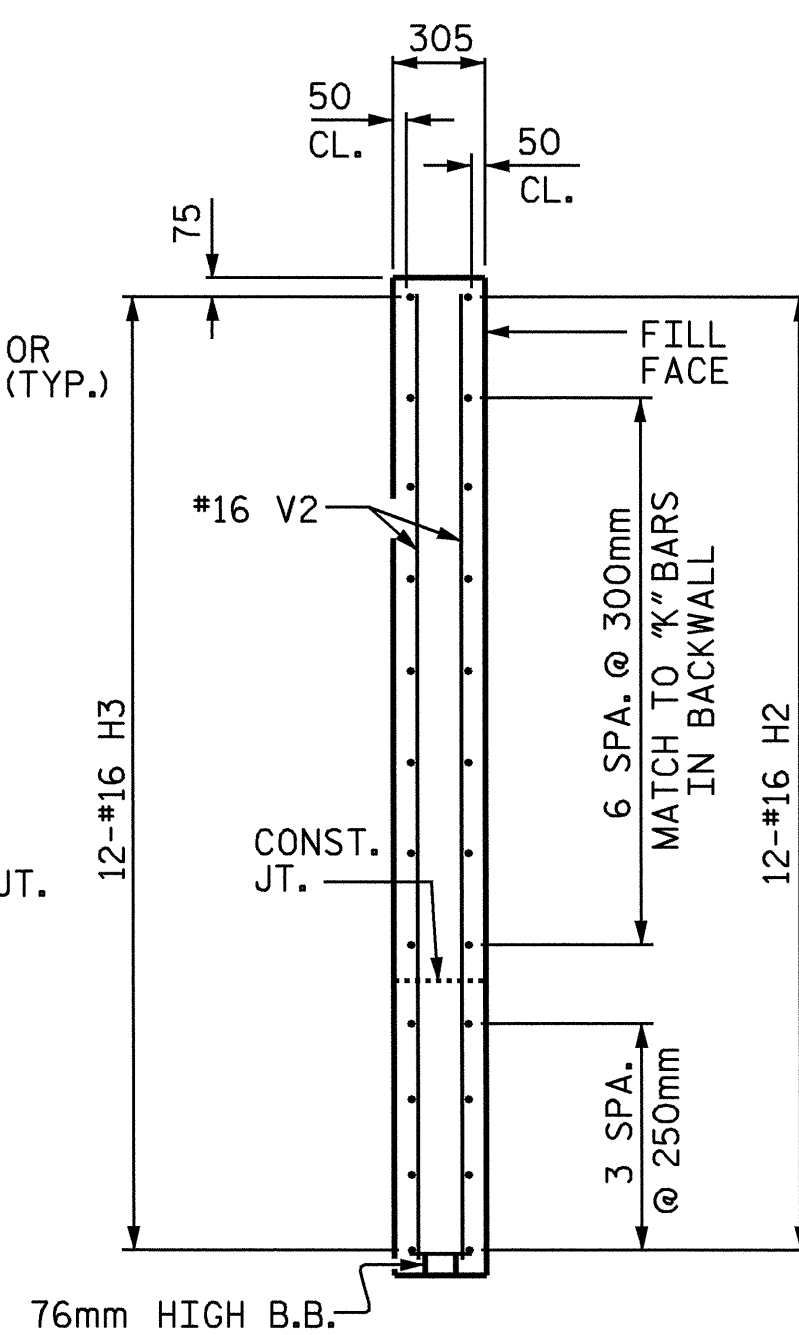
PLAN W1



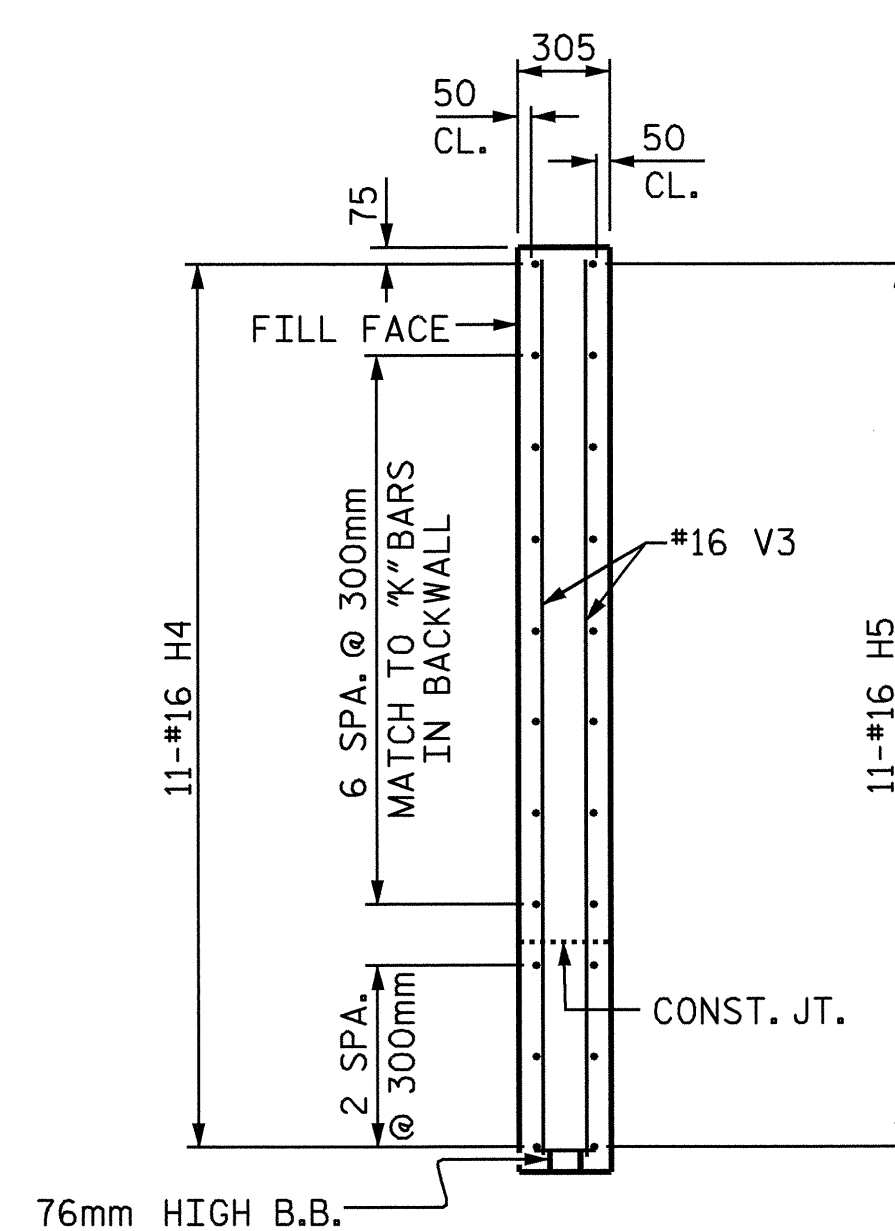
PLAN W2



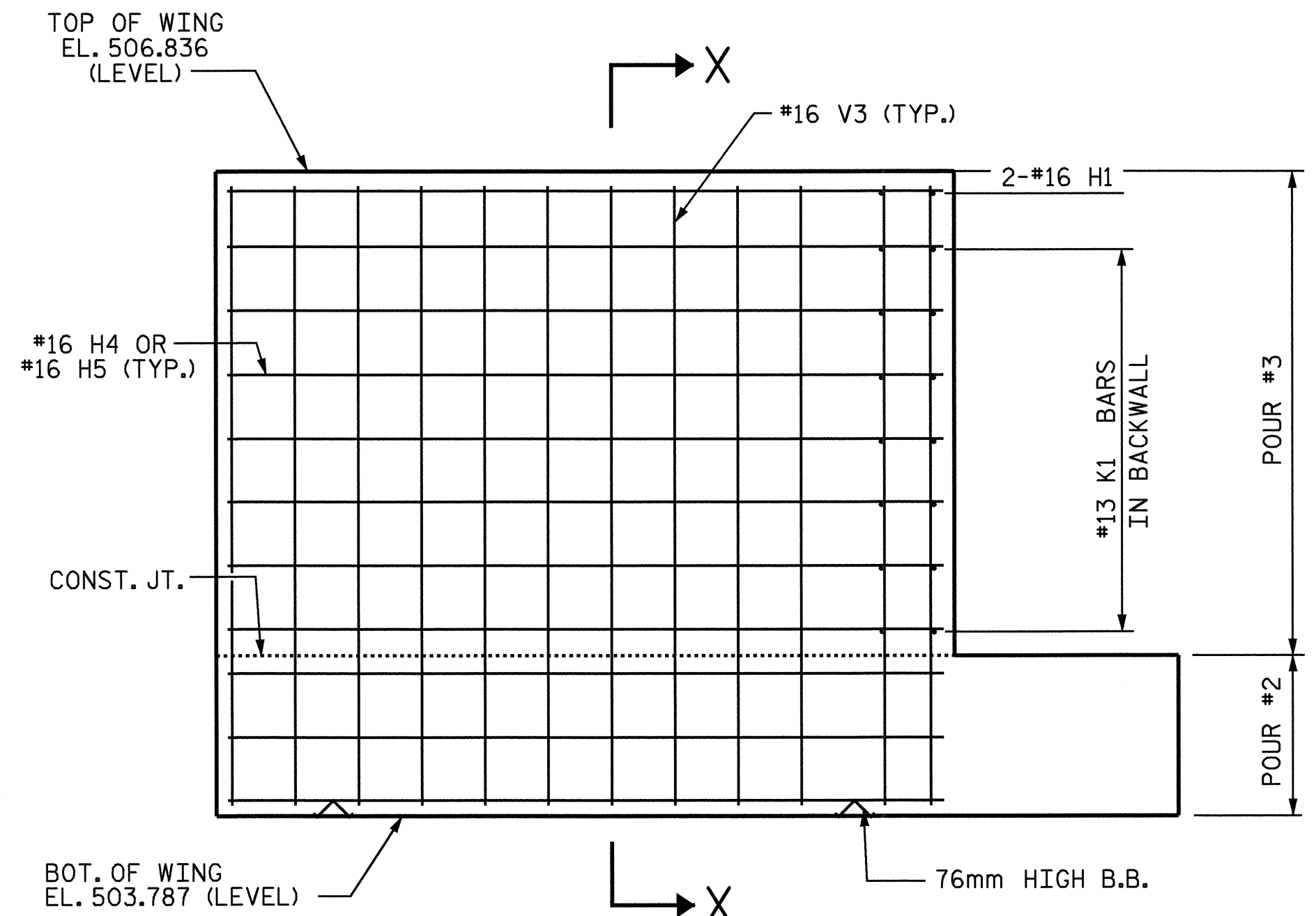
ELEVATION W1



SECTION Y-Y



SECTION X-X



ELEVATION W2

PROJECT NO. R-0977A  
 CHEROKEE COUNTY  
 STATION: 41+19.524-LREV-

SHEET 2 OF 3

*Ting H. Fang*  
 12/22/04



STATE OF NORTH CAROLINA  
 DEPARTMENT OF TRANSPORTATION  
 RALEIGH

SUBSTRUCTURE  
 END BENT 1

REVISIONS						SHEET NO.
NO.	BY:	DATE:	NO.	BY:	DATE:	S-156
1			3			TOTAL SHEETS
2			4			230

DRAWN BY: THF/A.S. CALLAWAY DATE: 10/26/04  
 CHECKED BY: J.P. ADAMS DATE: 11/5/04

21-DEC-2004 07:23  
 W:\SquadL\r0977a\str4\scallaway\R0977A\_sd\_E\*.dgn  
 lsutton

STR. #4