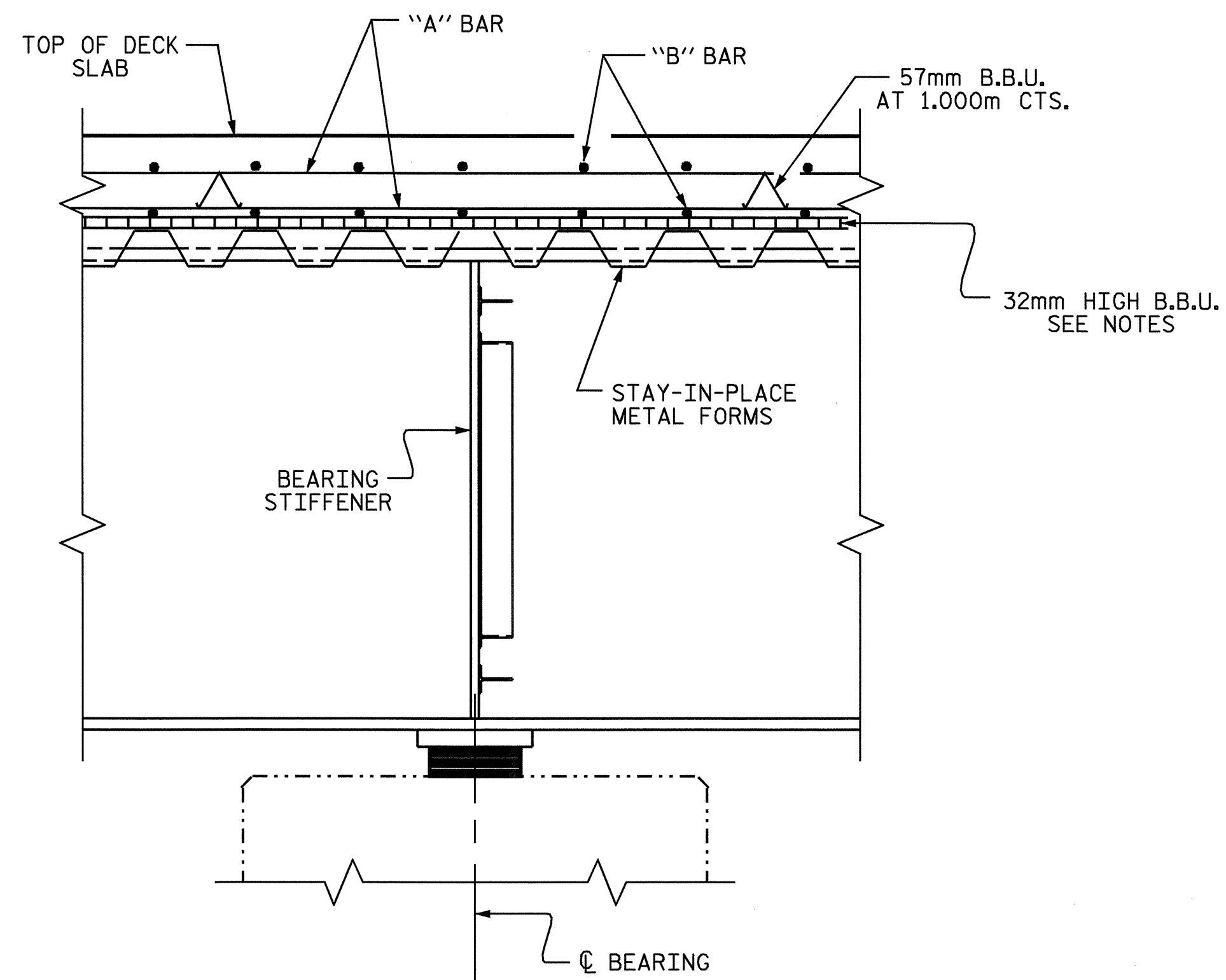
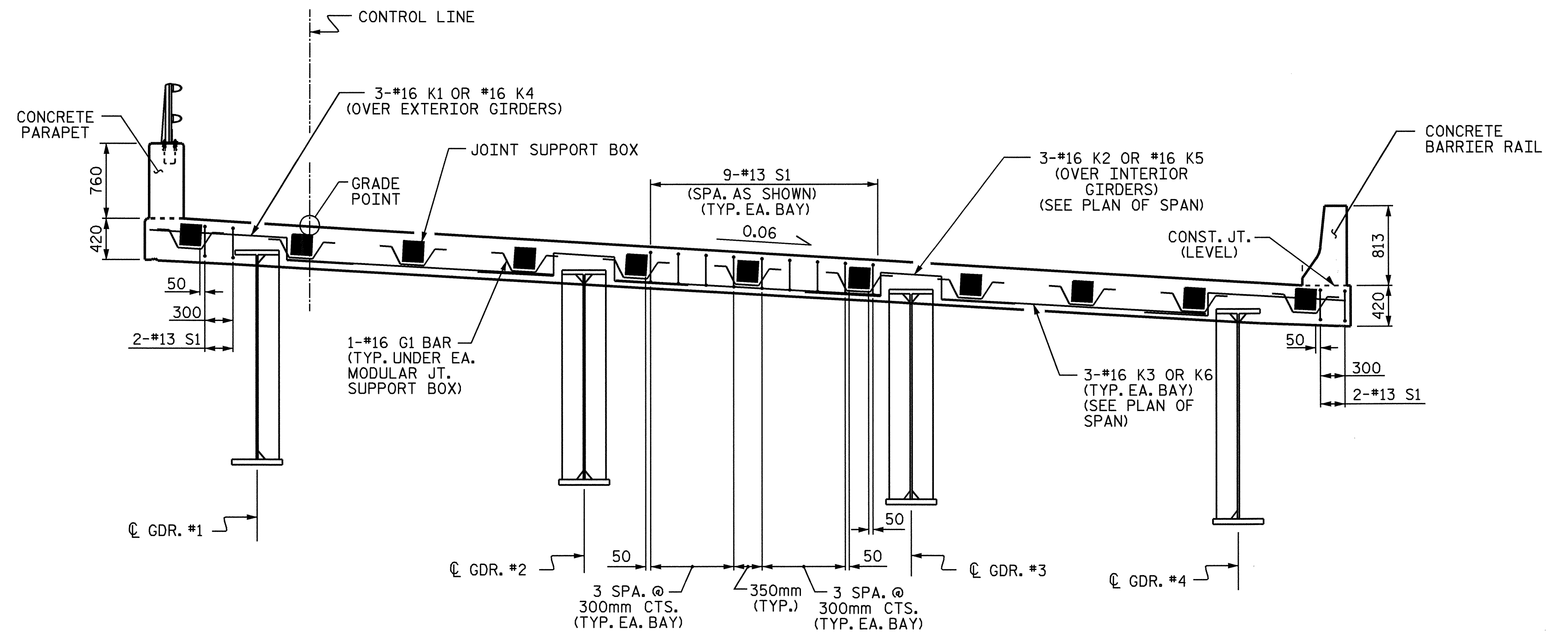


SECTION THRU END BENTS

(MODULAR EXP. JT. AT EB 1 & EB 2)



SECTION THRU BENTS



TYPICAL SECTION

(SHOWING MODULAR EXP. JT.)

DRAWN BY : B.N.BARODAWALA DATE : 3-19-04
 CHECKED BY : MIKE ALLEN DATE : 10-21-04

21-DEC-2004 15:23
 W:\SquadL\0977a\str5\bbardawala\R0977A.sd.TS.05.dgn
 lsutton



PROJECT NO. R-0977A
CHEROKEE COUNTY
 STATION: 68+58.000-LREV-

SHEET 2 OF 2

STATE OF NORTH CAROLINA
 DEPARTMENT OF TRANSPORTATION
 RALEIGH

SUPERSTRUCTURE
 TYPICAL SECTIONS
 SPANS A & B

REVISIONS						SHEET NO.
NO.	BY:	DATE:	NO.	BY:	DATE:	S-177
1			3			TOTAL SHEETS
2			4			230

STR.#5