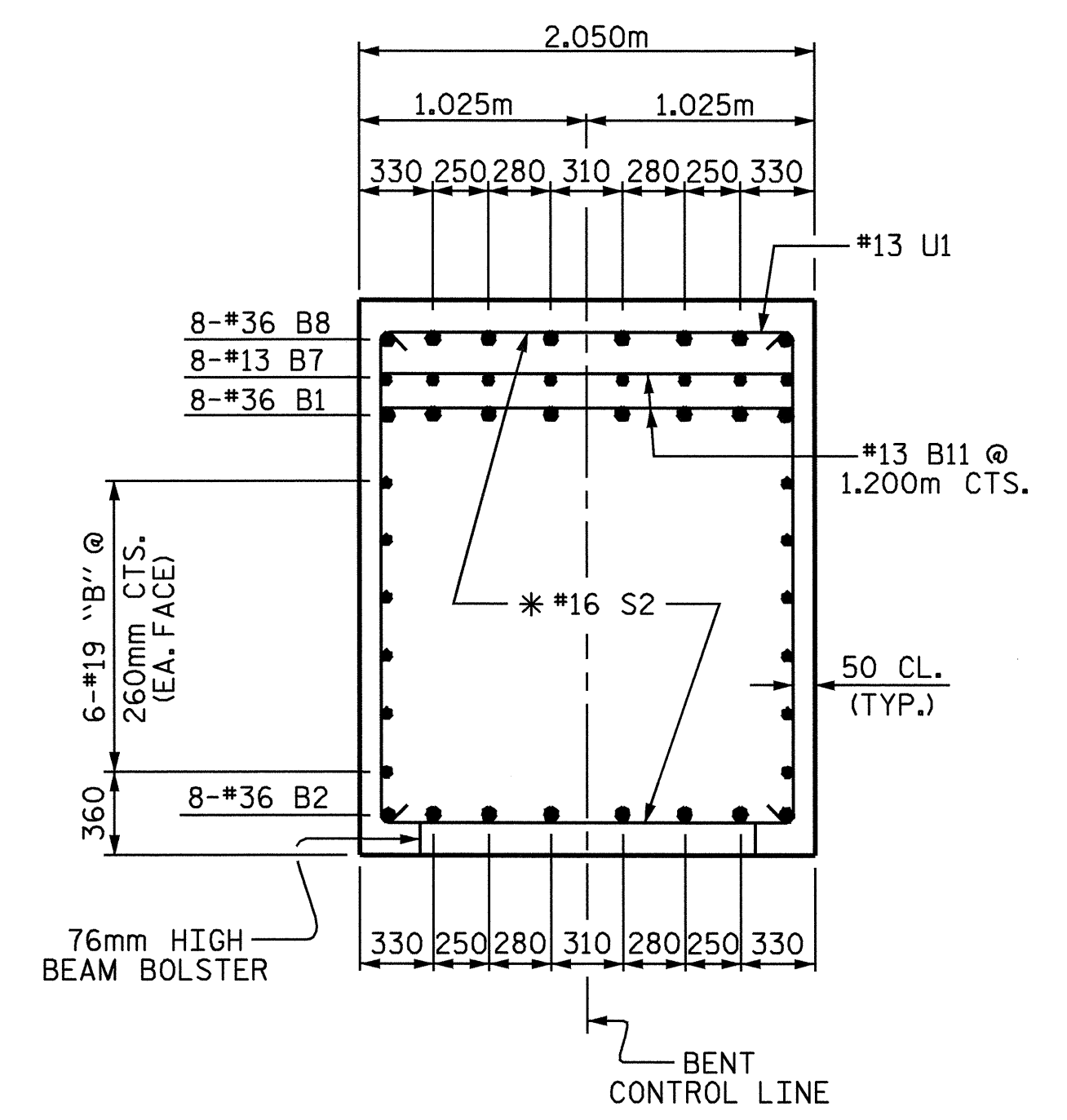
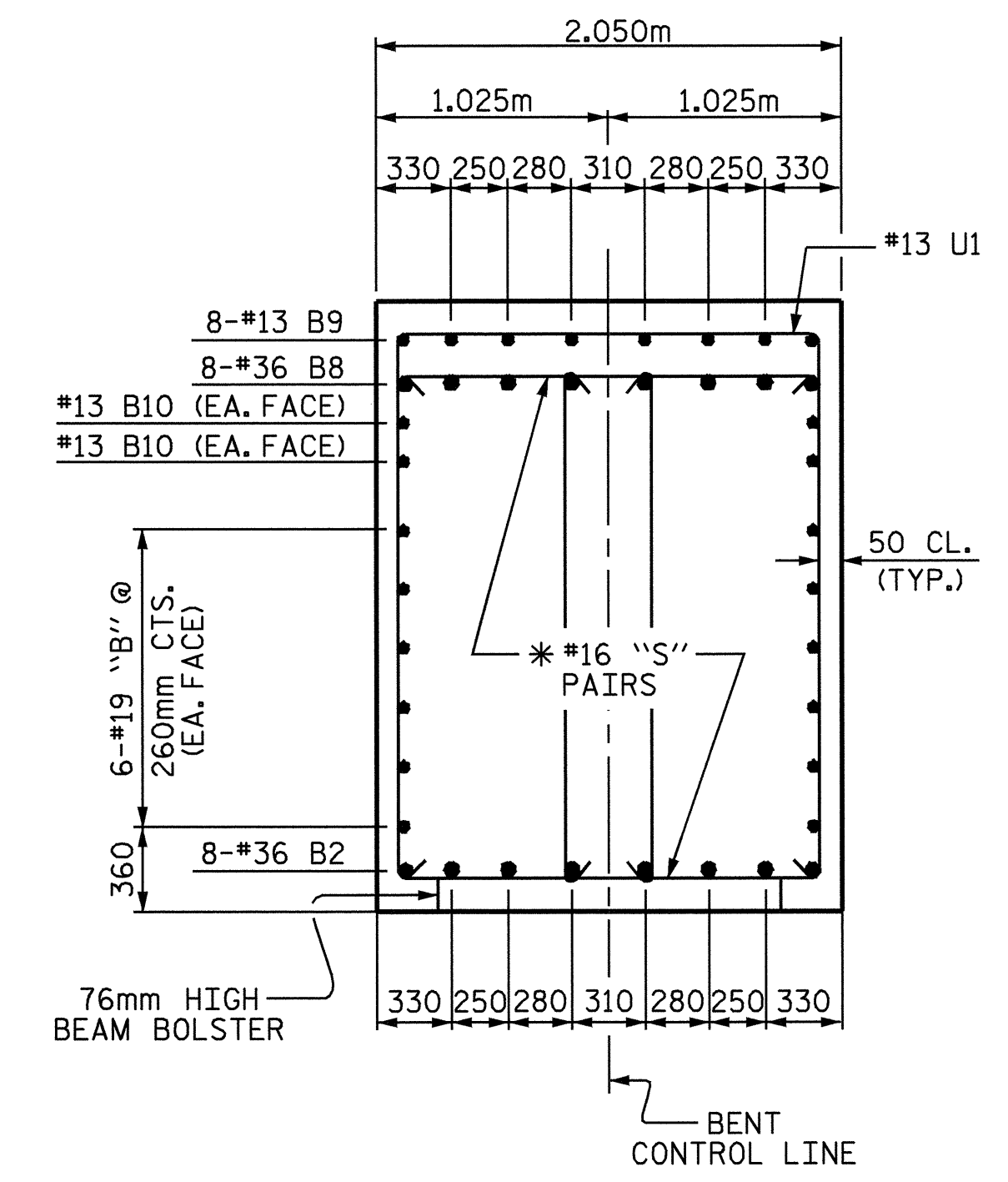


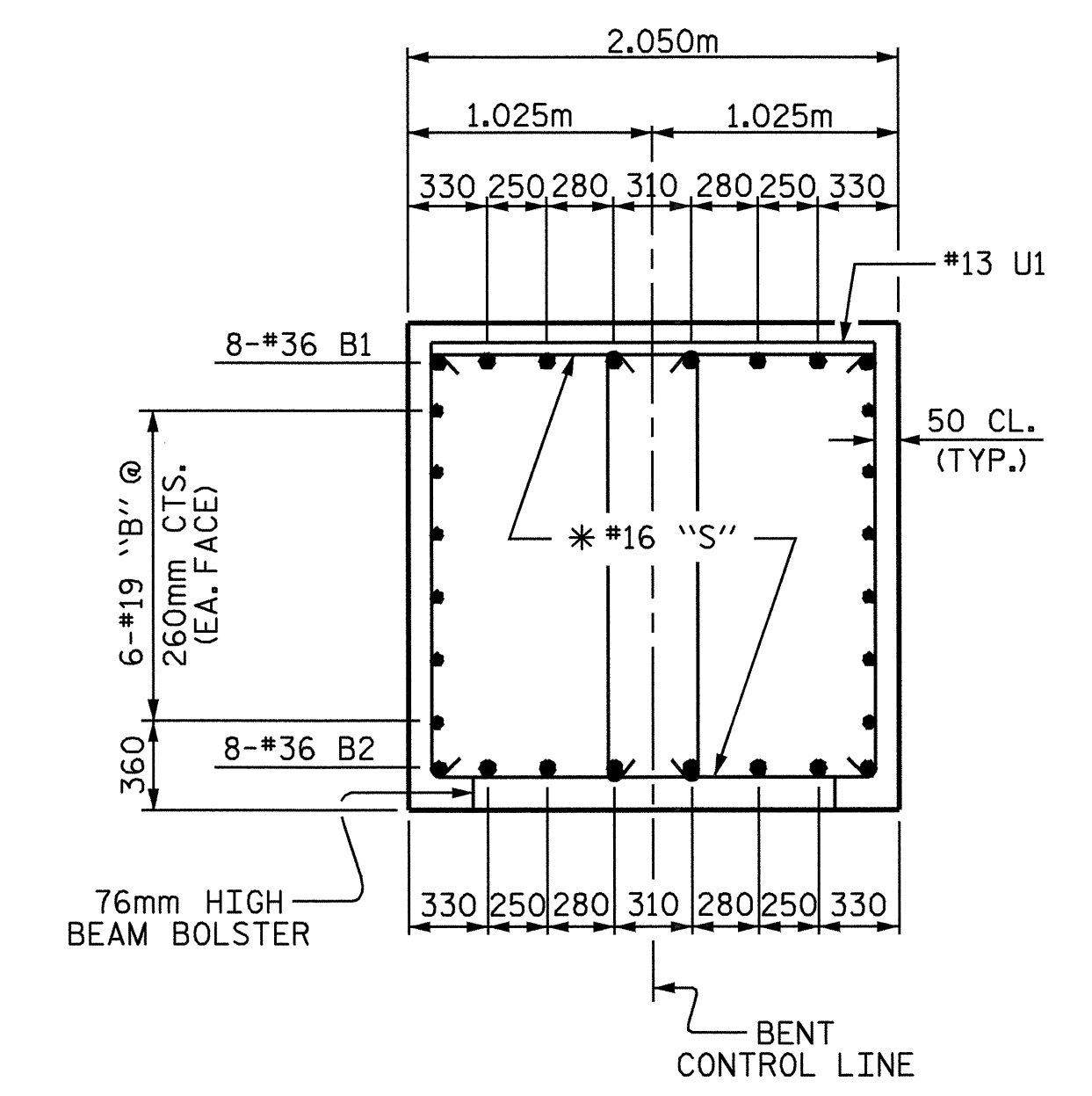
**SECTION A-A**  
\* INVERT ALTERNATE STIRRUPS



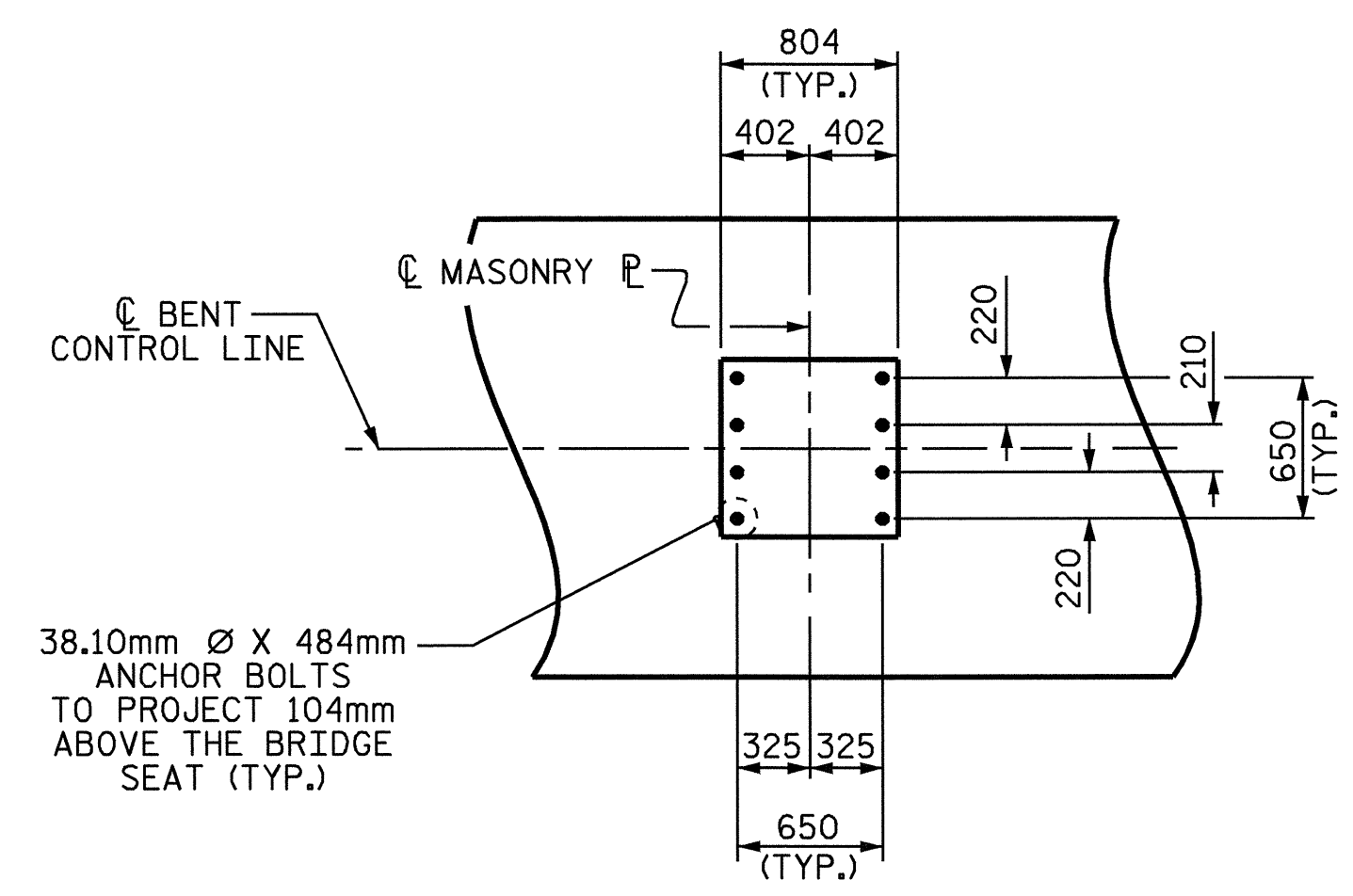
**SECTION B-B**  
\* INVERT ALTERNATE STIRRUPS



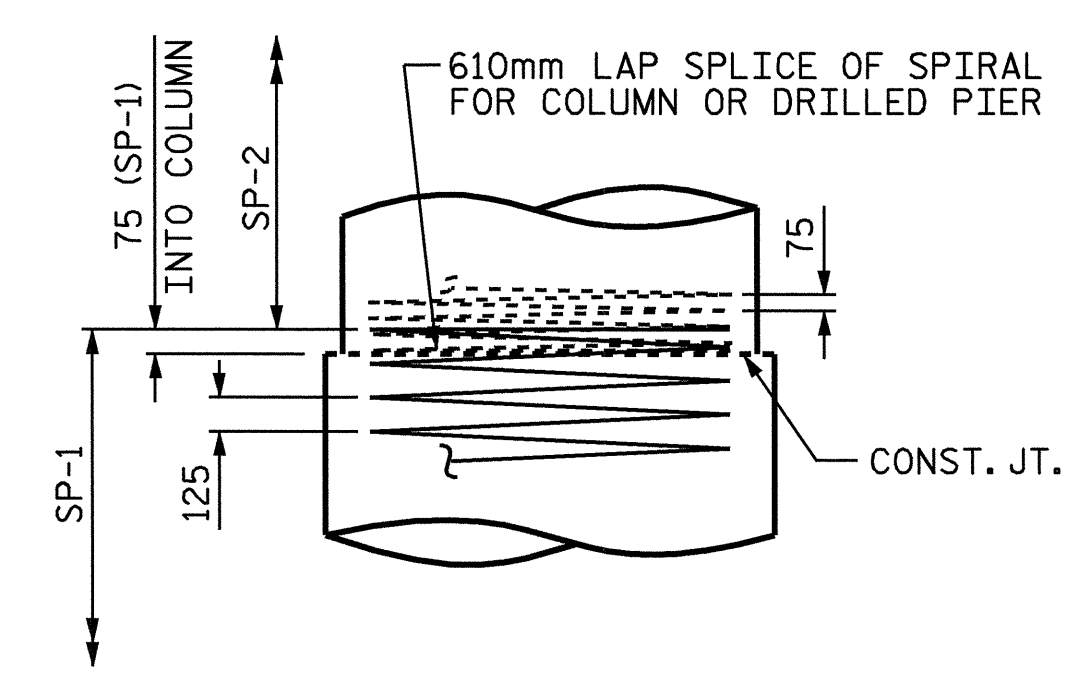
**SECTION C-C**  
\* INVERT ALTERNATE STIRRUPS



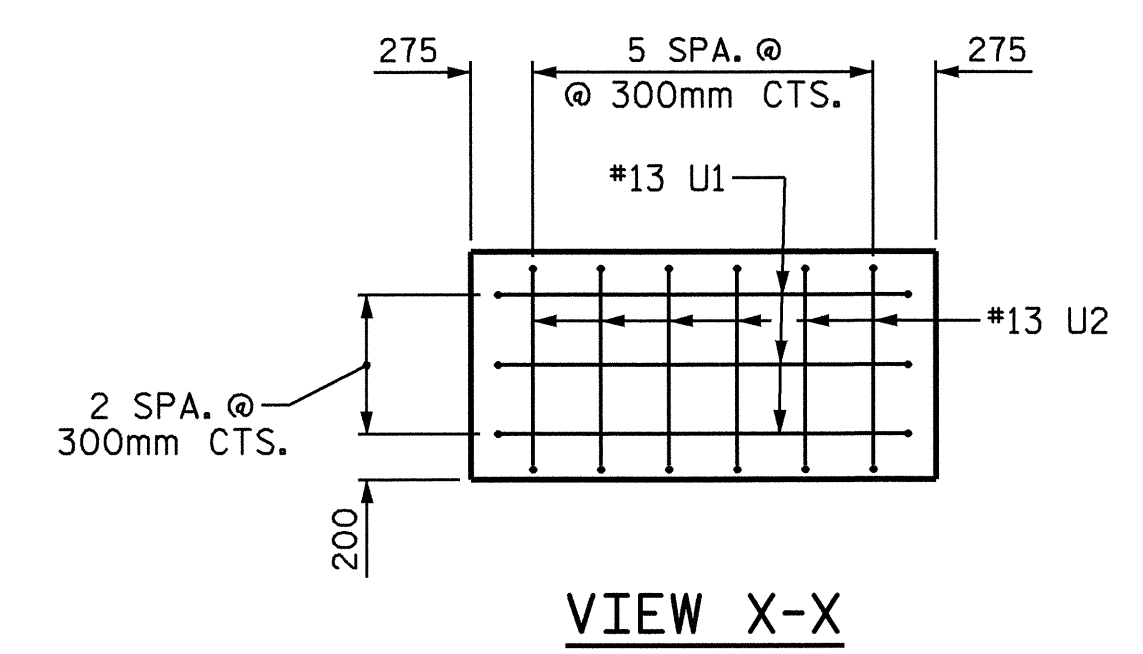
**SECTION D-D**  
\* INVERT ALTERNATE STIRRUPS



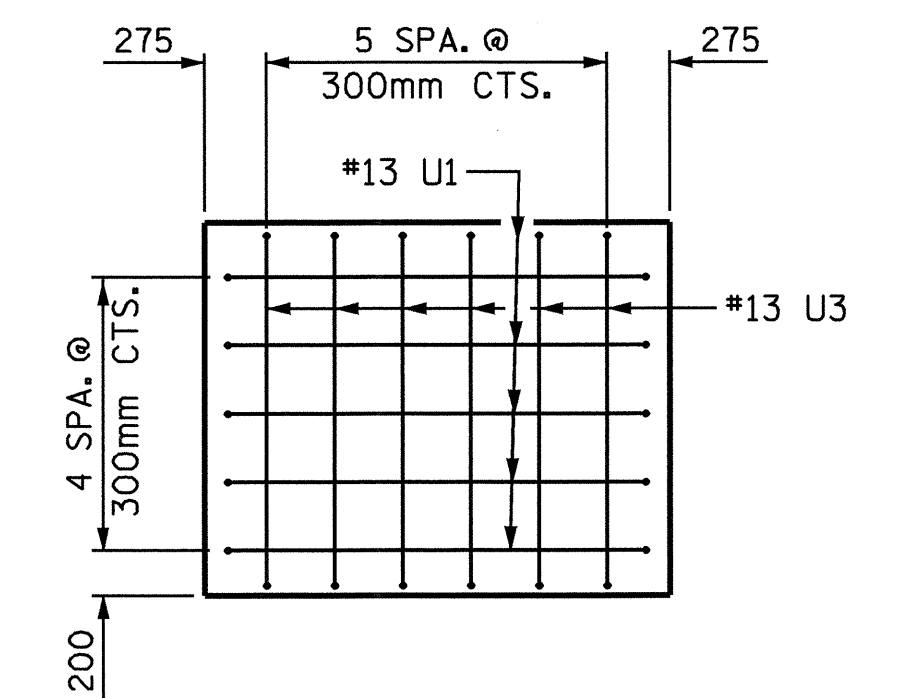
**DETAIL "A"**



**DETAIL "B"**



**VIEW X-X**

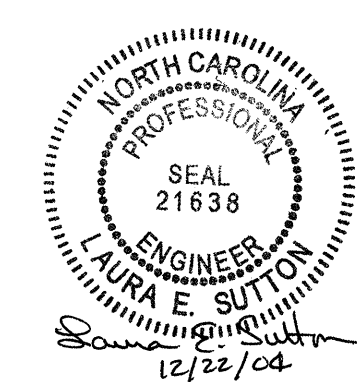


**VIEW Y-Y**

PROJECT NO. R-0977A  
CHEROKEE COUNTY  
STATION 68+58.000-LREV-

SHEET 2 OF 3

STATE OF NORTH CAROLINA  
DEPARTMENT OF TRANSPORTATION  
RALEIGH  
SUBSTRUCTURE  
BENT 2



DRAWN BY: M.K. BEARD DATE: 10/20/04  
CHECKED BY: L.E. SUTTON DATE: 12/19/04

22-DEC-2004 11:47  
W:\Squad\0977a\str5\kbeard\R0977A\_sd.B\*.05.dgn  
lsutton

REVISIONS						SHEET NO.	
NO.	BY:	DATE:	NO.	BY:	DATE:	S-216	
1			3			TOTAL SHEETS	
2			4			230	