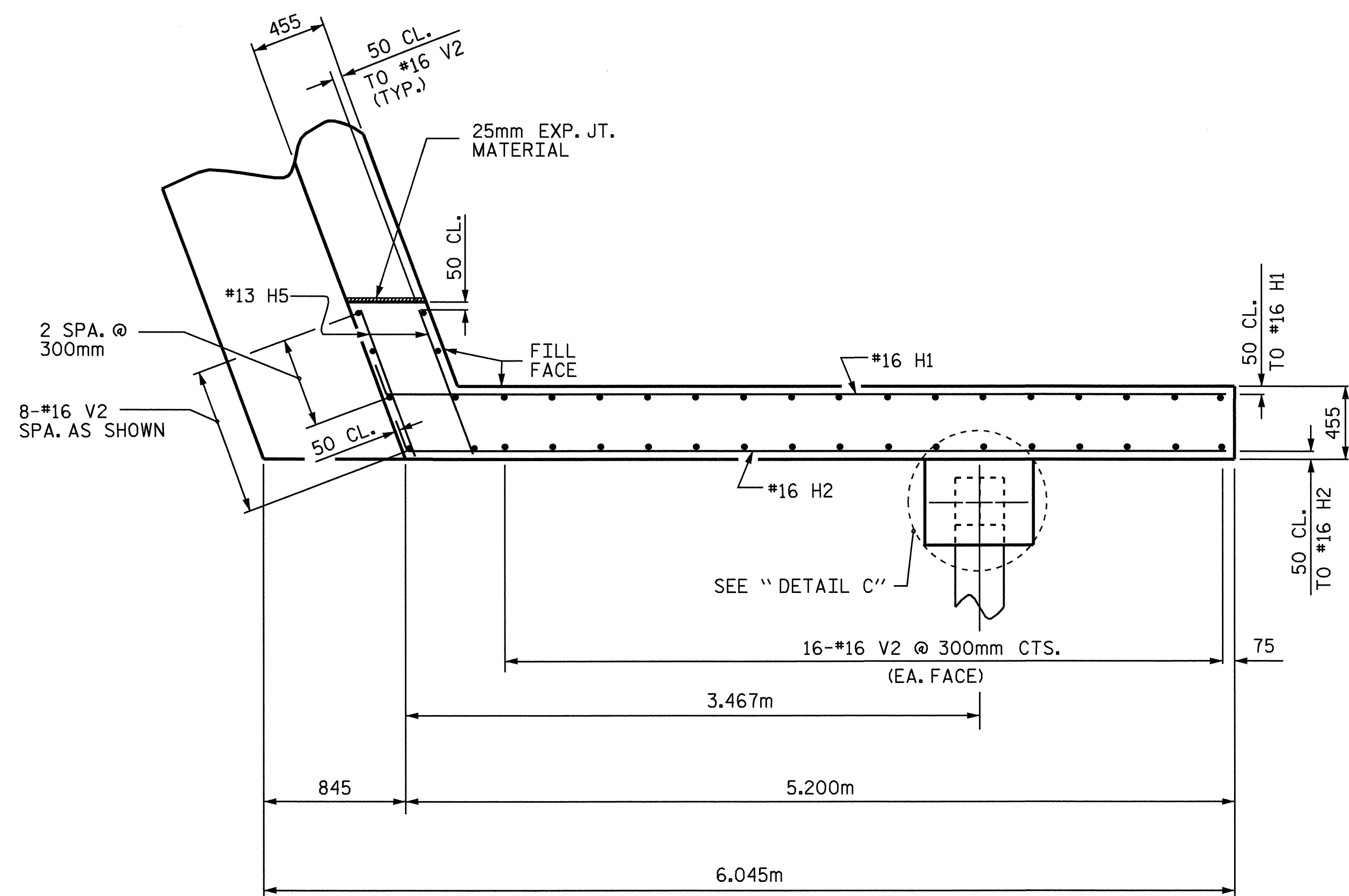
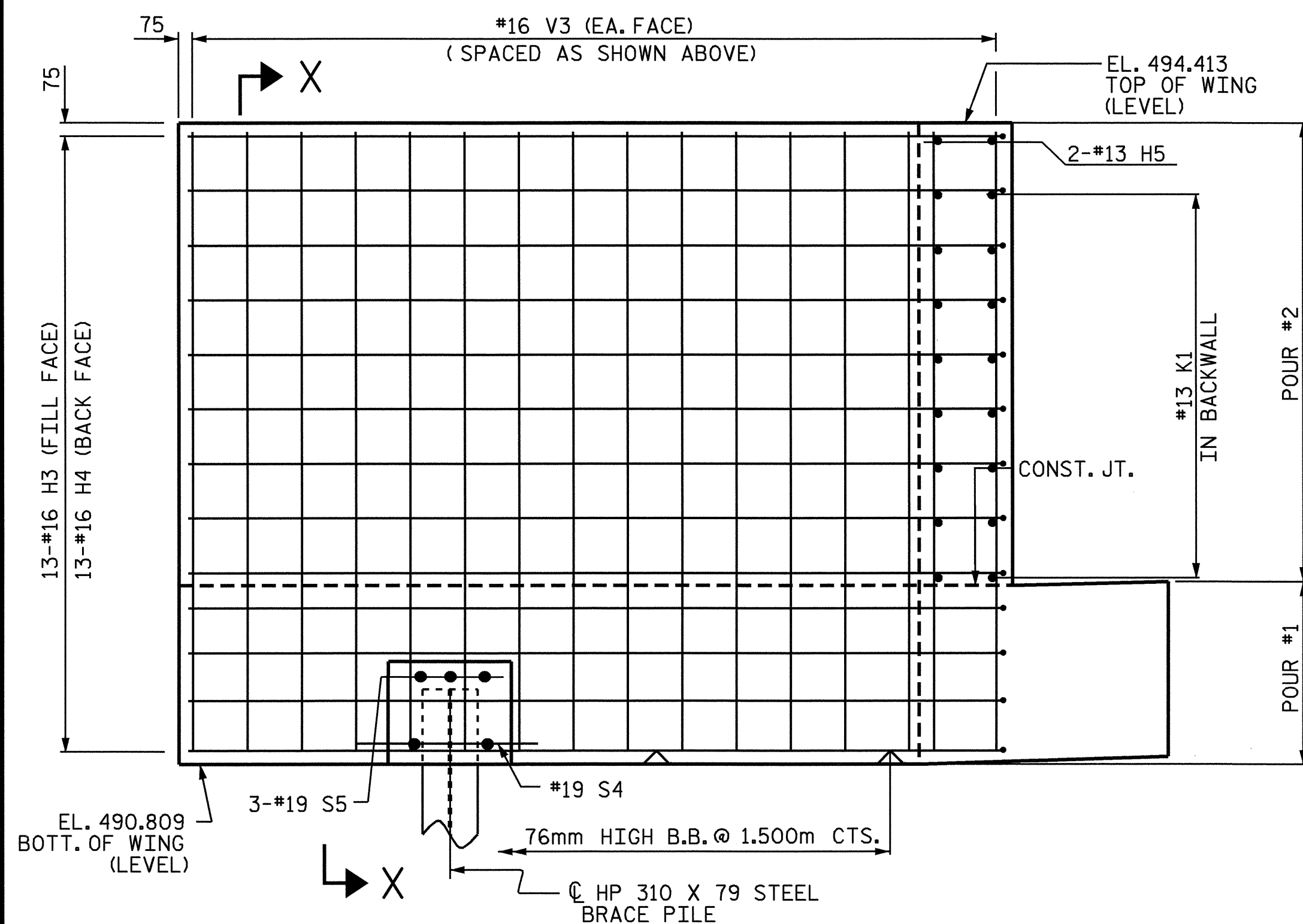


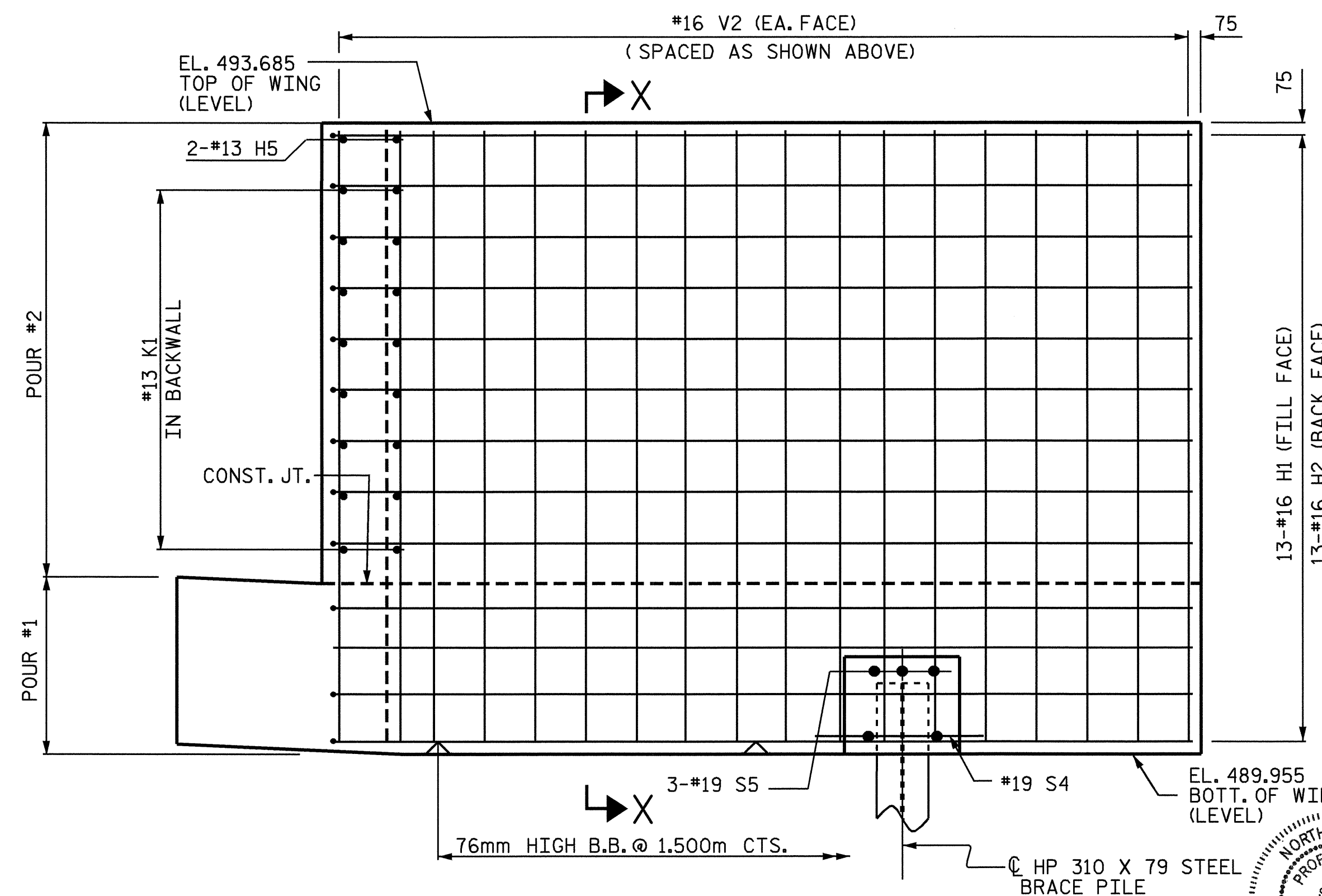
PLAN OF WING W1



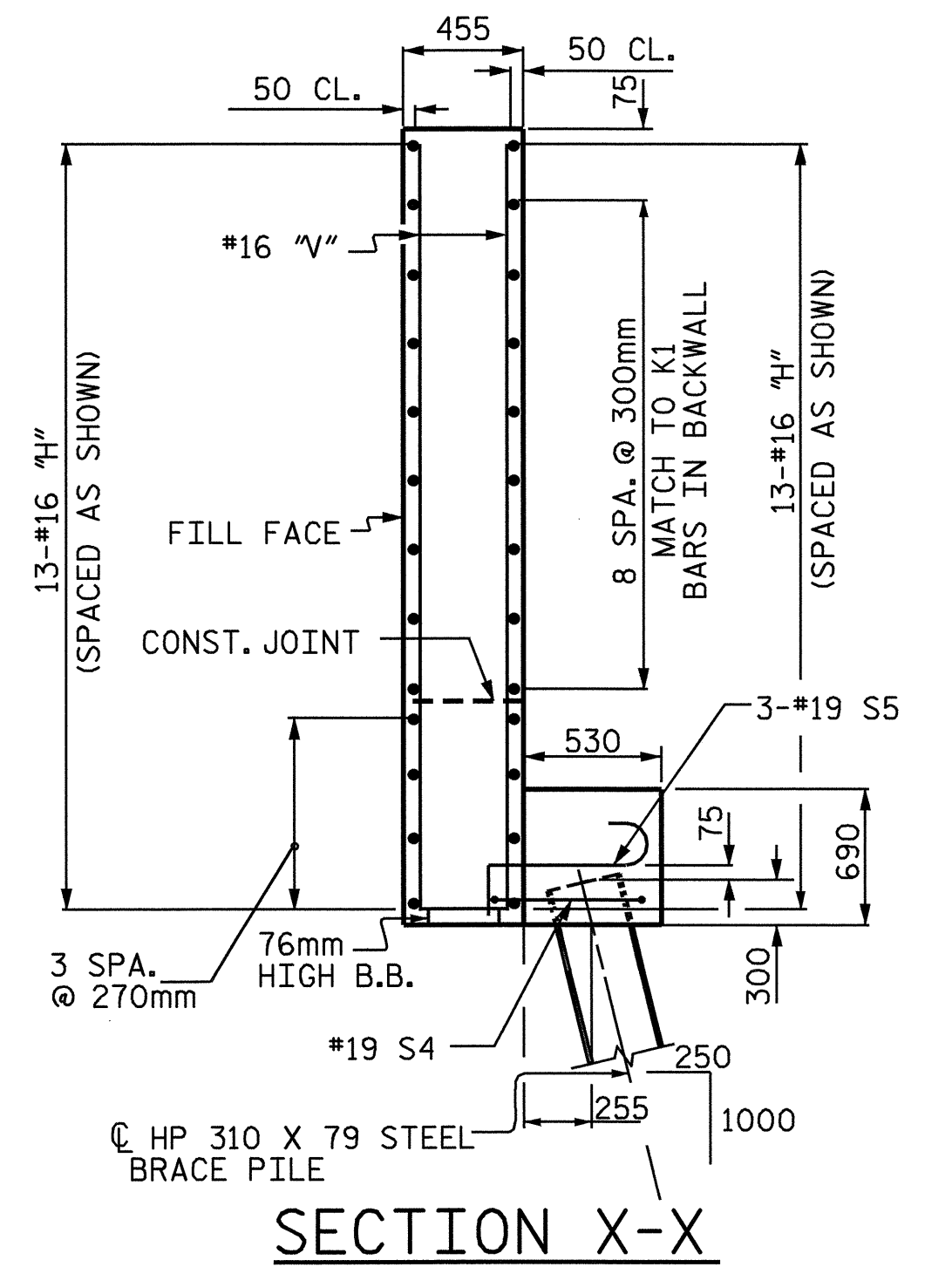
PLAN OF WING W2



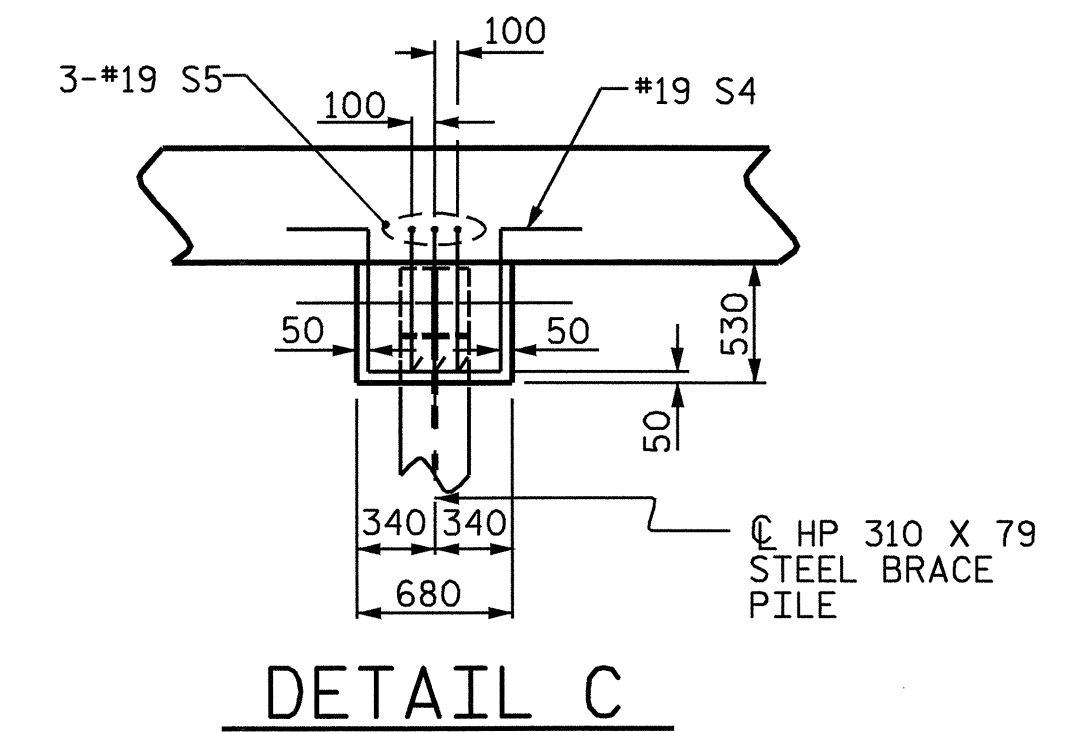
ELEVATION OF WING W1



ELEVATION OF WING W2



SECTION X-X



DETAIL C

PROJECT NO. R-0977A
 CHEROKEE COUNTY
 STATION: 68+58.000-LREV-

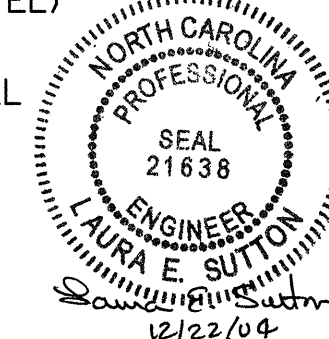
SHEET 2 OF 3

STATE OF NORTH CAROLINA
 DEPARTMENT OF TRANSPORTATION
 RALEIGH

SUBSTRUCTURE
 END BENT 2

DRAWN BY: W.K. FISCHER DATE: 7/20/04
 CHECKED BY: M.M. PARSONS DATE: 11-04

22-DEC-2004 10:50
 W:\Squad\1\0977A\str\5\wk\fisher\R0977A.sd.E*.05.dgn
 lsutton



REVISIONS						SHEET NO.	
NO.	BY:	DATE:	NO.	BY:	DATE:	S-222	
1			3			TOTAL SHEETS 230	
2			4				

STR. #5