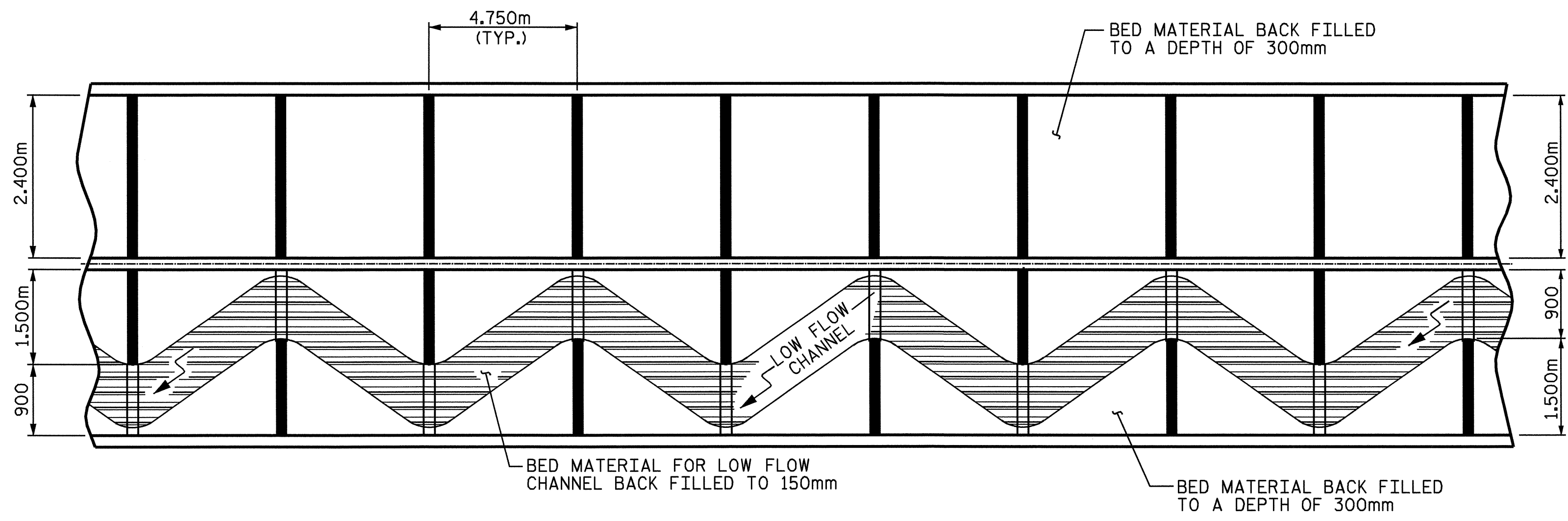


PLAN

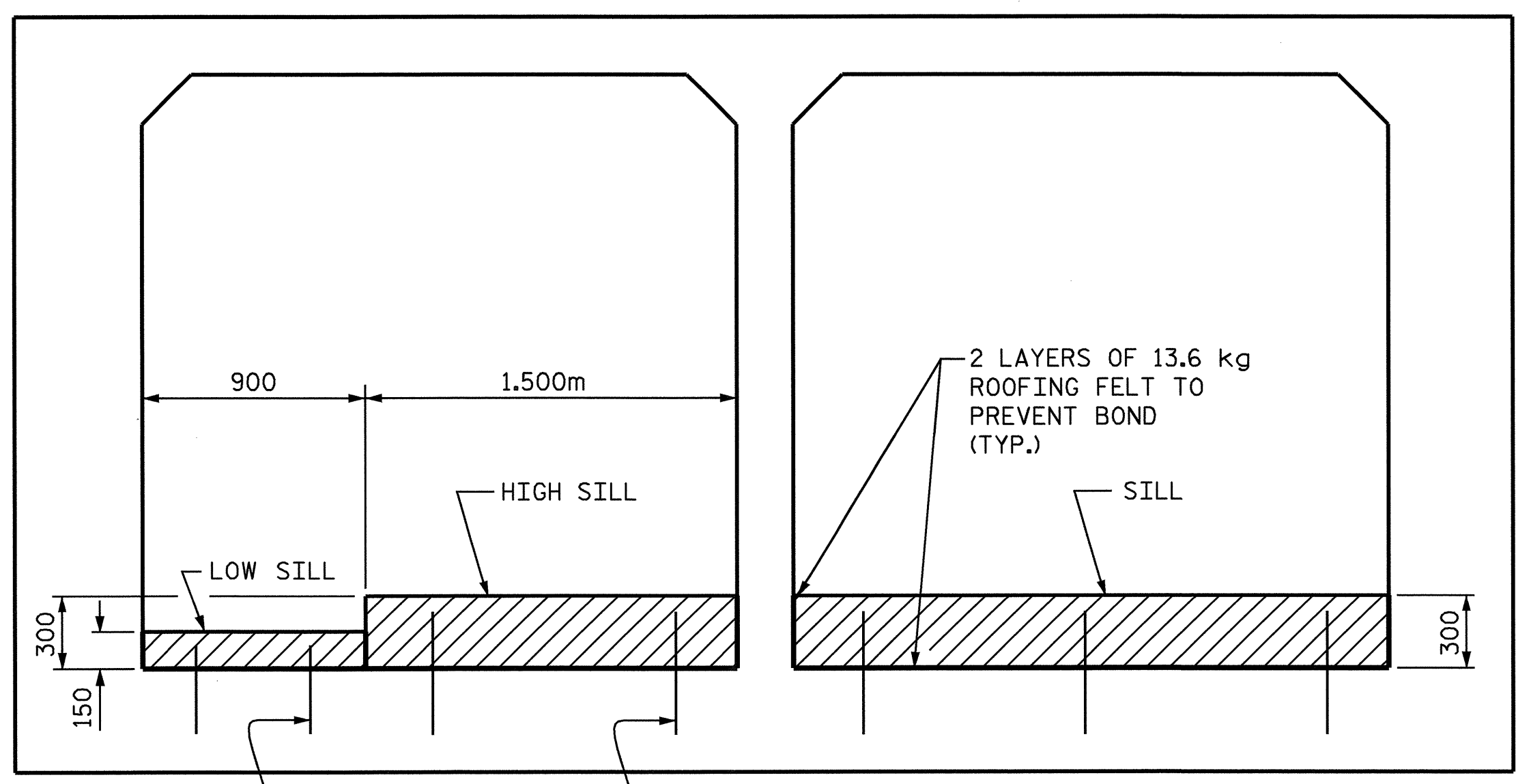


DETAIL "A"

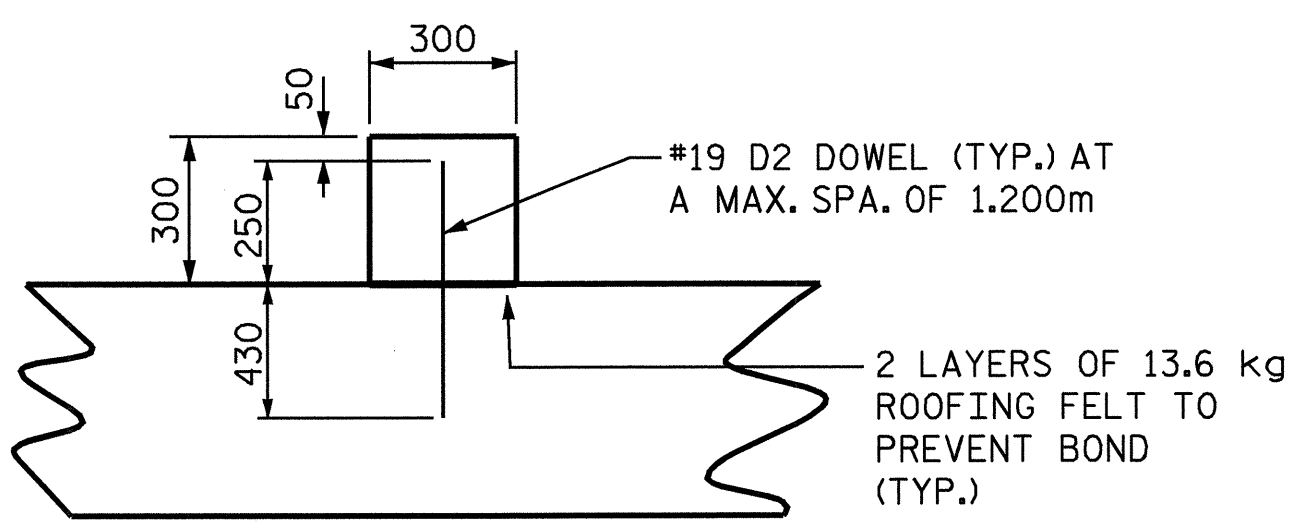
LOW SILL
 HIGH SILL

NOTES

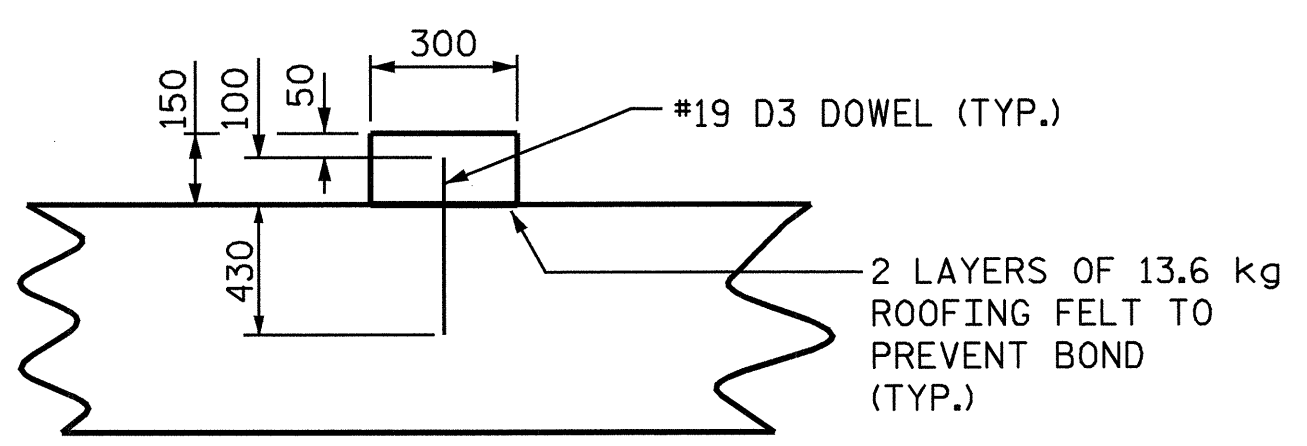
- BED MATERIAL EXCAVATED FROM THE SITE FOR BOX CULVERT CONSTRUCTION IS TO BE STOCKPILED AND LATER PLACED ON THE FLOOR OF THE COMPLETED CULVERT.
- BED MATERIAL PLACED BETWEEN SILLS IN THE CULVERT SHALL PROVIDE A CONTINUOUS LOW FLOW CHANNEL BETWEEN THE LOWER SILLS. BED MATERIAL IS SUBJECT TO APPROVAL BY THE ENGINEER.
- MATERIAL SHALL NOT BE REMOVED UNTIL STREAM FLOW HAS BEEN PERMANENTLY CUT OFF FROM THAT PORTION OF THE STREAM.
- ALL WORK INVOLVING EXCAVATION, STOCKPILING AND PLACING OF BED MATERIAL SHALL BE INCLUDED IN THE LUMP SUM PRICE BID FOR "CULVERT EXCAVATION".
- THE CONTRACTOR SHALL SUBMIT A PLAN FOR SILL INSTALLATION TO THE ENGINEER.
- FOR ADHESIVELY ANCHORED ANCHOR BOLTS OR DOWELS, SEE SPECIAL PROVISIONS.



ELEVATION
(LOOKING DOWNSTREAM)



SECTION THRU HIGH SILL



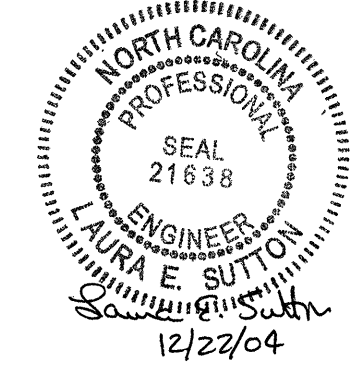
SECTION THRU LOW SILL

SILL DETAILS

* DOWELS MAY BE PUSHED INTO GREEN CONCRETE AFTER SLAB HAS BEEN FLOAT FINISHED.

PROJECT NO. R-0977A
CHEROKEE COUNTY
 STATION: 35+18.000-LREV-
 SHEET 5 OF 14

STATE OF NORTH CAROLINA
 DEPARTMENT OF TRANSPORTATION
 RALEIGH
**CULVERT SILLS
 DOUBLE
 2.400m x 2.400m
 CONCRETE BOX CULVERT**



REVISIONS				SHEET NO.
NO.	BY:	DATE:	NO.	DATE:
1			3	
2			4	

C-5
TOTAL SHEETS: 14

DRAWN BY : DVC/A.S. CALLAWAY DATE : 6/25/04
 CHECKED BY : B.N. BARODAWALA DATE : 12/04