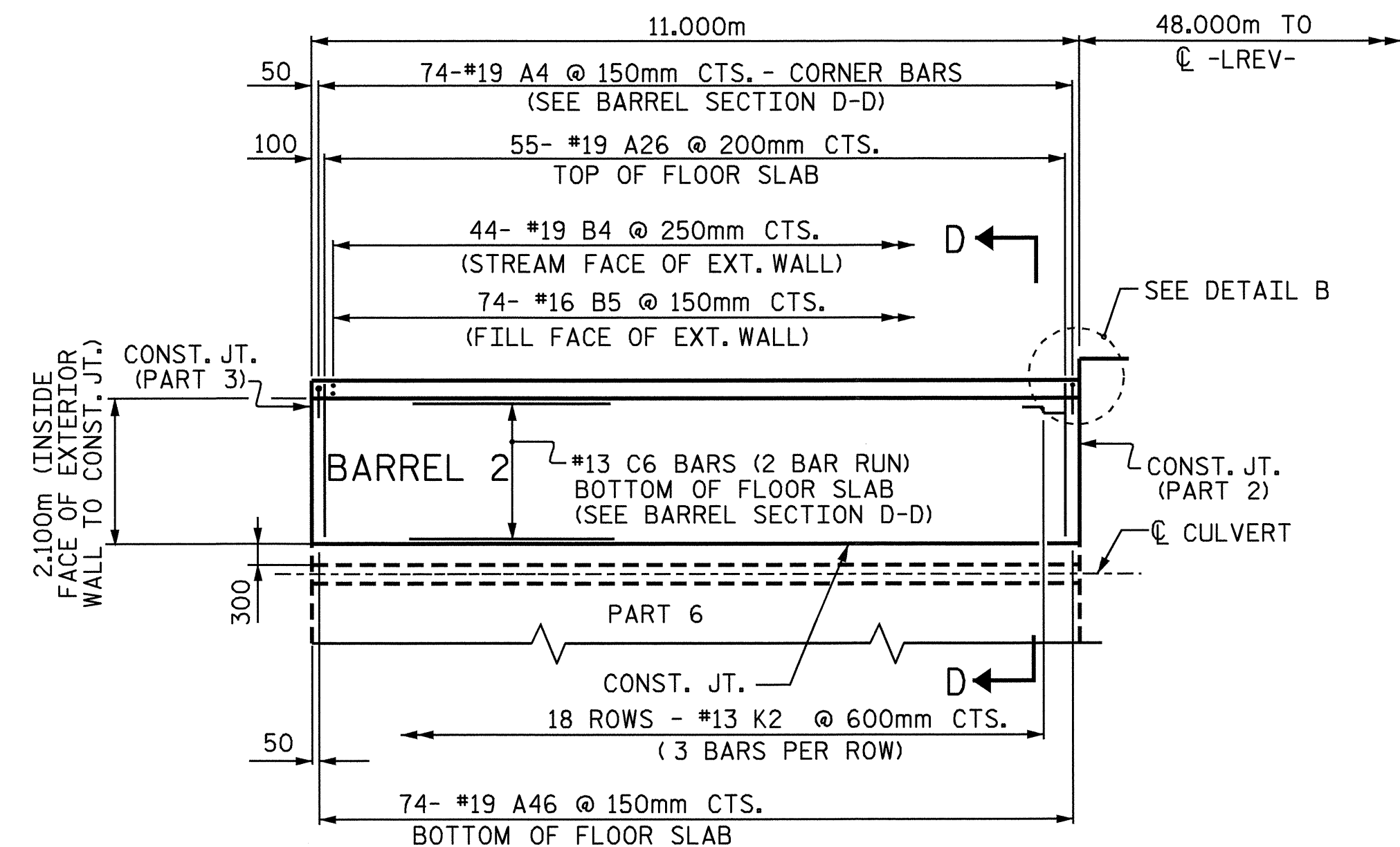
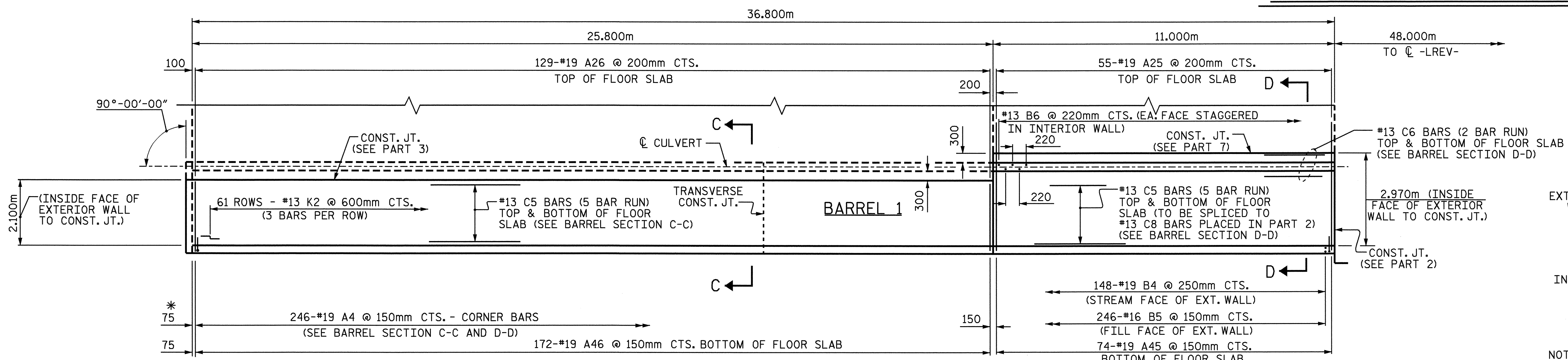


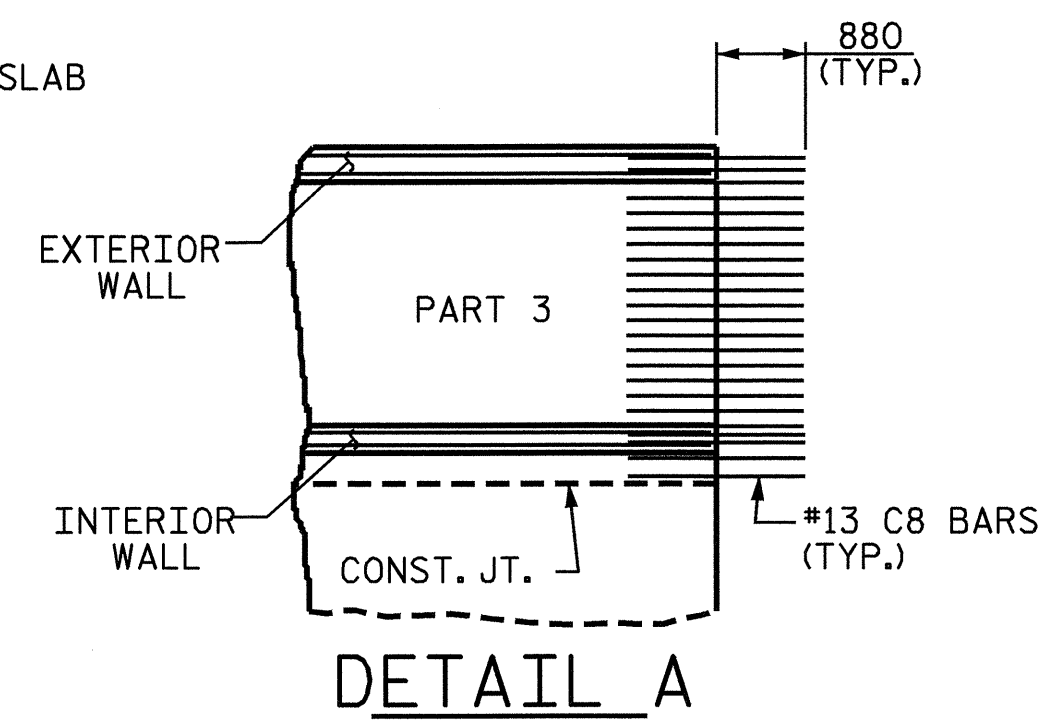
PLAN OF CULVERT - FLOOR SLAB - PART 3



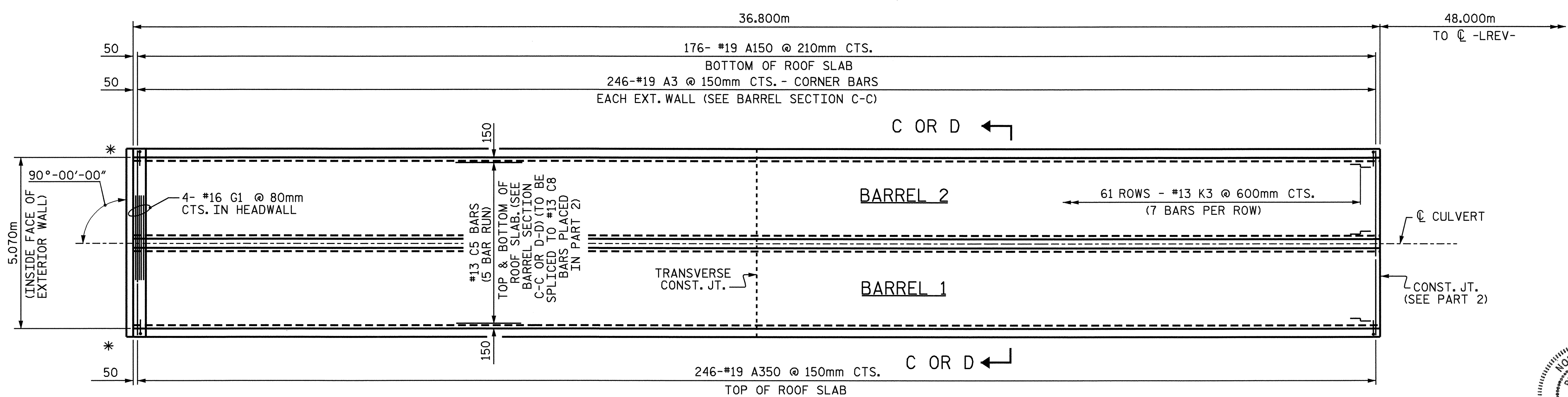
PLAN OF CULVERT - FLOOR SLAB - PART 7



PLAN OF CULVERT - FLOOR SLAB - PART 6



NOTE: 90-#13 C8 BARS PLACED TO MATCH #13 C3 BARS IN BARREL @ FAR END OF PART 3.

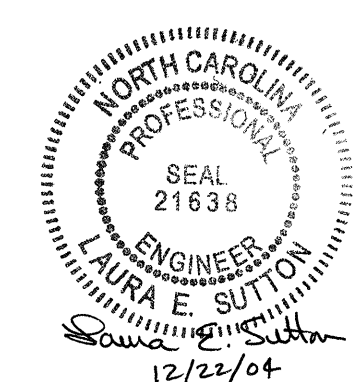


PLAN OF CULVERT - ROOF SLAB - PARTS 3, 6 & 7

* WINGS NOT SHOWN FOR CLARITY. SEE SHEET 13 OF 13 FOR WINGS AT OUTLET END OF CULVERT

DRAWN BY: V. X. NGUYEN DATE: 9-29-97
 CHECKED BY: B. N. BARODAWALA DATE: 9-04

20-DEC-2004 15:49
 W:\Squad\lvr0977a\str6\scallaway\R0977A_sd_CU.06.dgn
 Isutton



PROJECT NO. R-0977A
 CHEROKEE COUNTY
 STATION: 35+18.000-LREV-

SHEET 10 OF 14
 STATE OF NORTH CAROLINA
 DEPARTMENT OF TRANSPORTATION
 RALEIGH
 DOUBLE
 2.400m X 2.400m
 CONCRETE BOX CULVERT
 84° SKEW

REVISIONS						SHEET NO.	
NO.	BY:	DATE:	NO.	BY:	DATE:	C-10	
1			3			TOTAL SHEETS	
2			4			14	

STR. #6