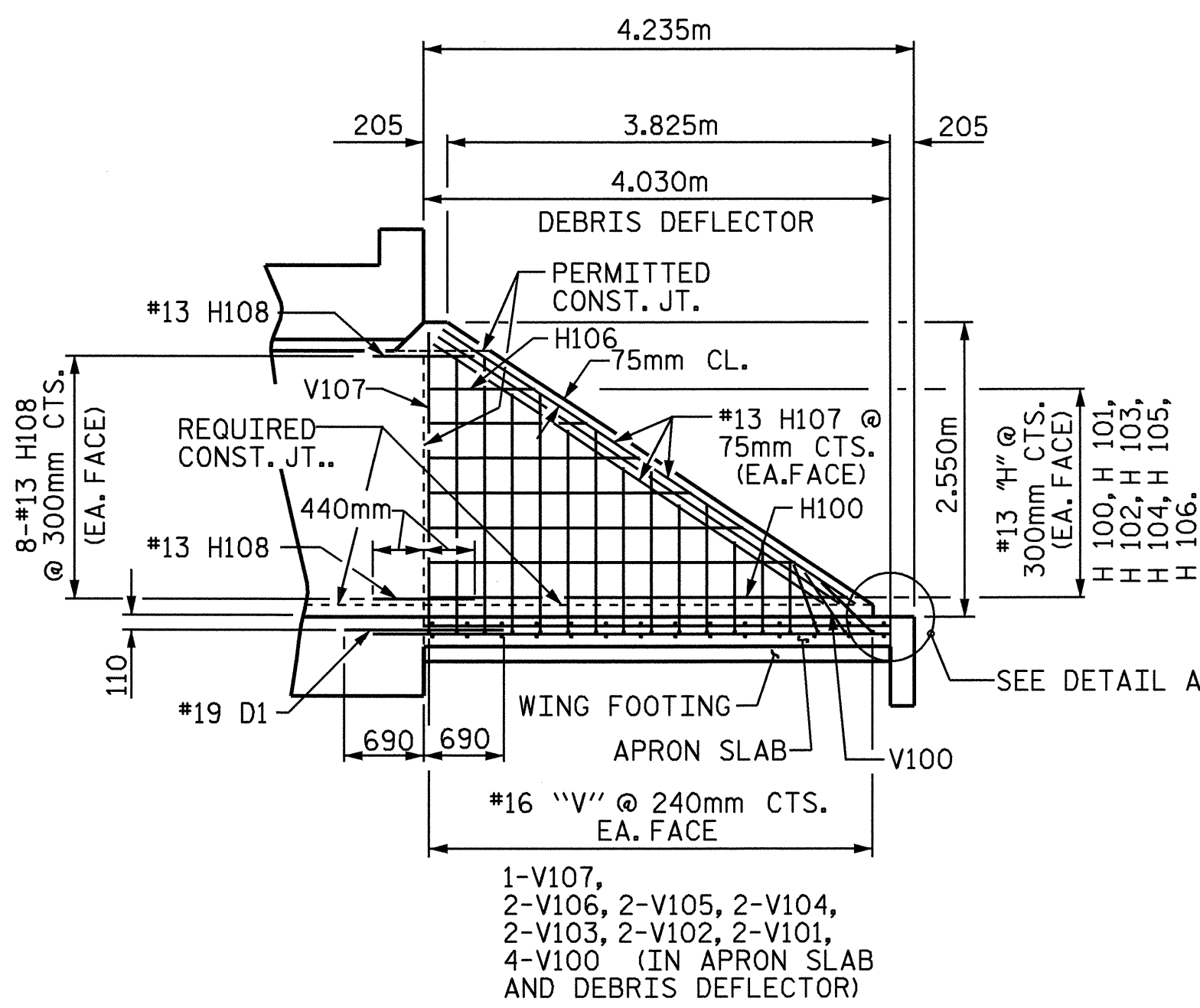
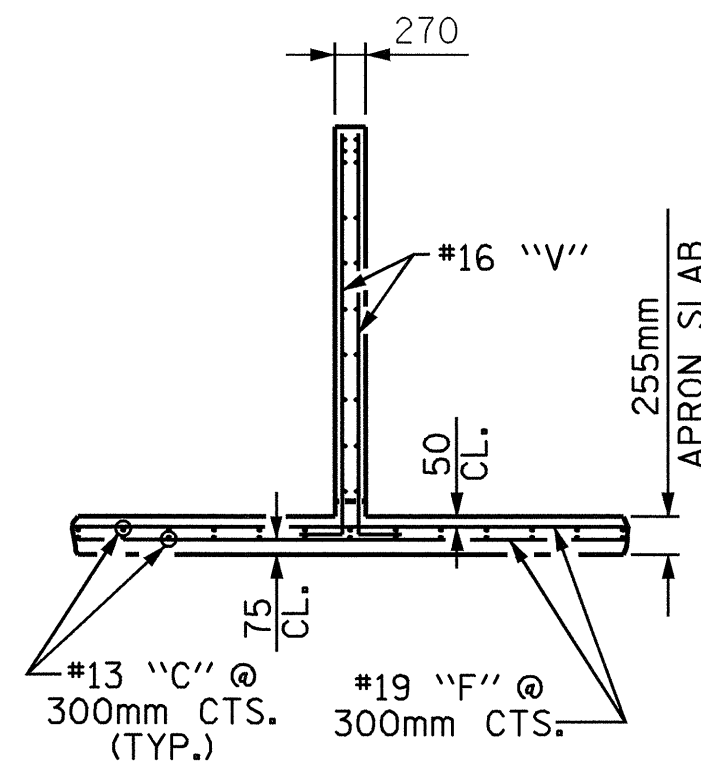


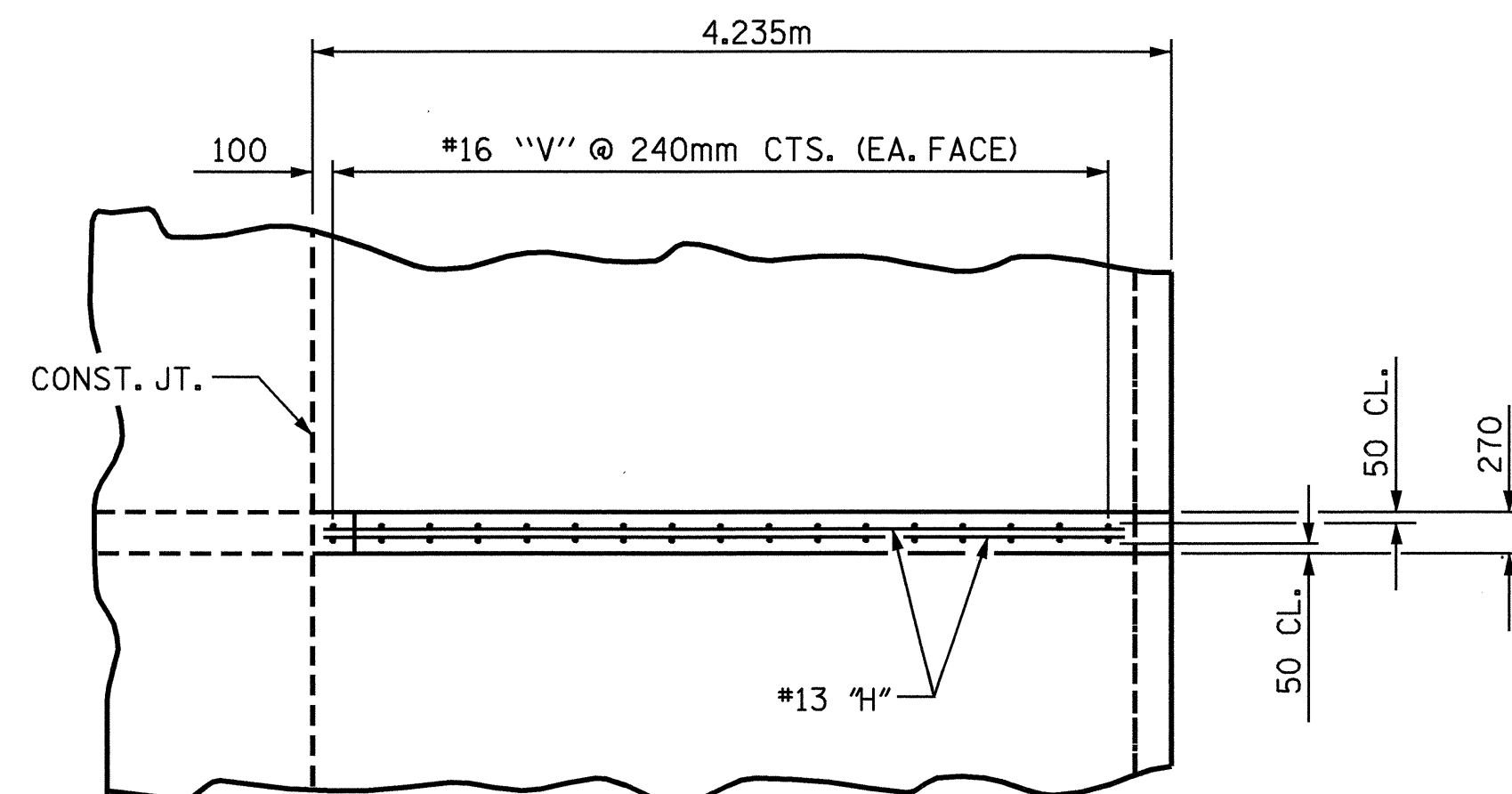
PLAN OF DEBRIS DEFLECTOR SLAB - INLET END



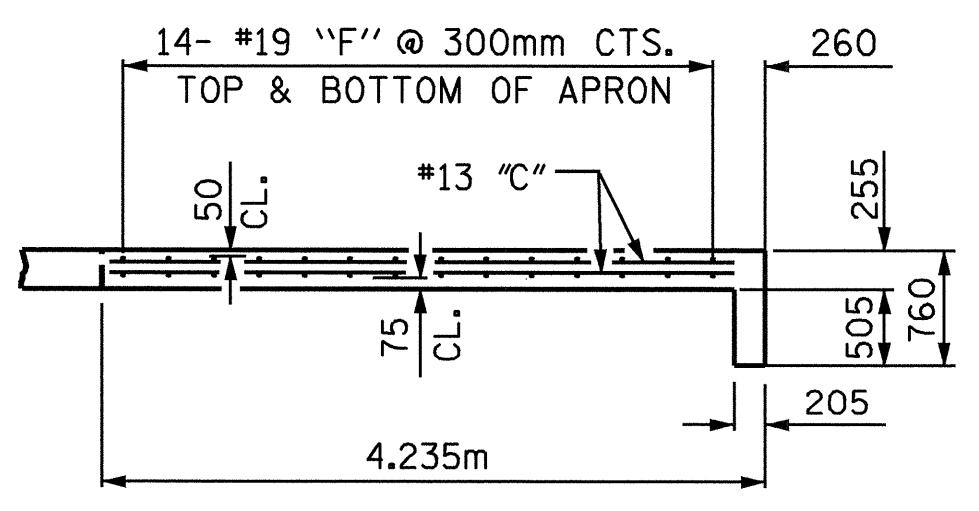
ELEVATION - DEBRIS DEFLECTOR WALL



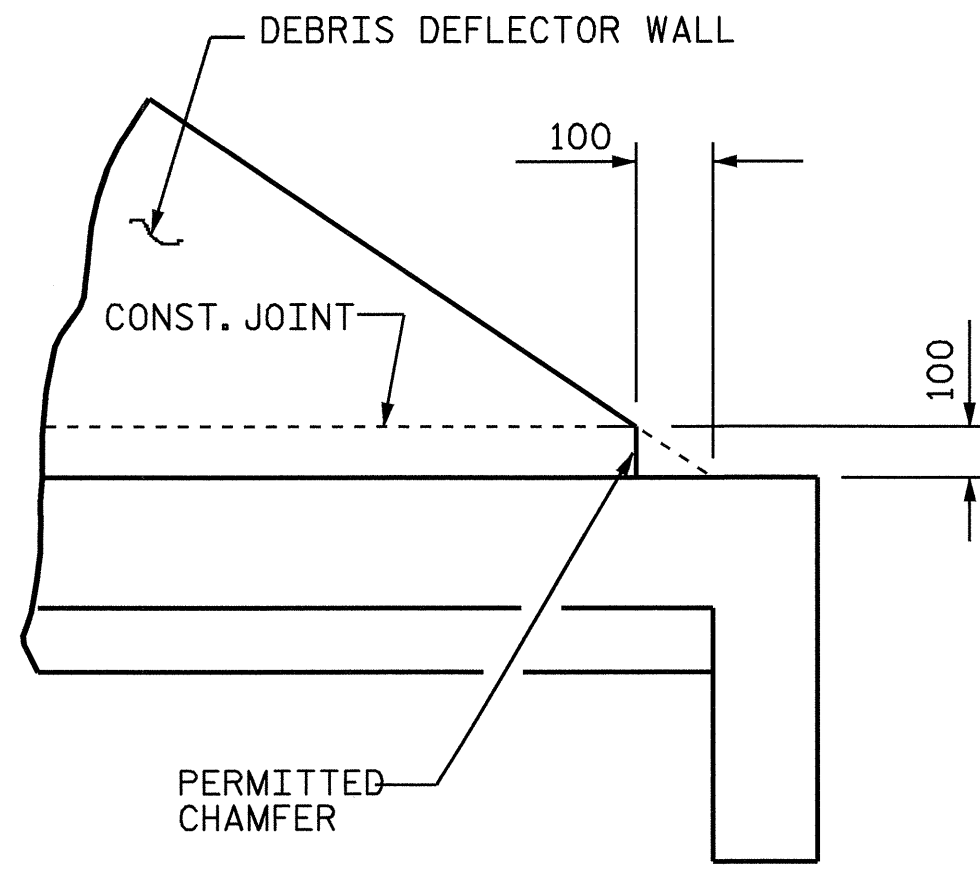
SECTION Y-Y



PLAN - DEBRIS DEFLECTOR WALL



SECTION X-X

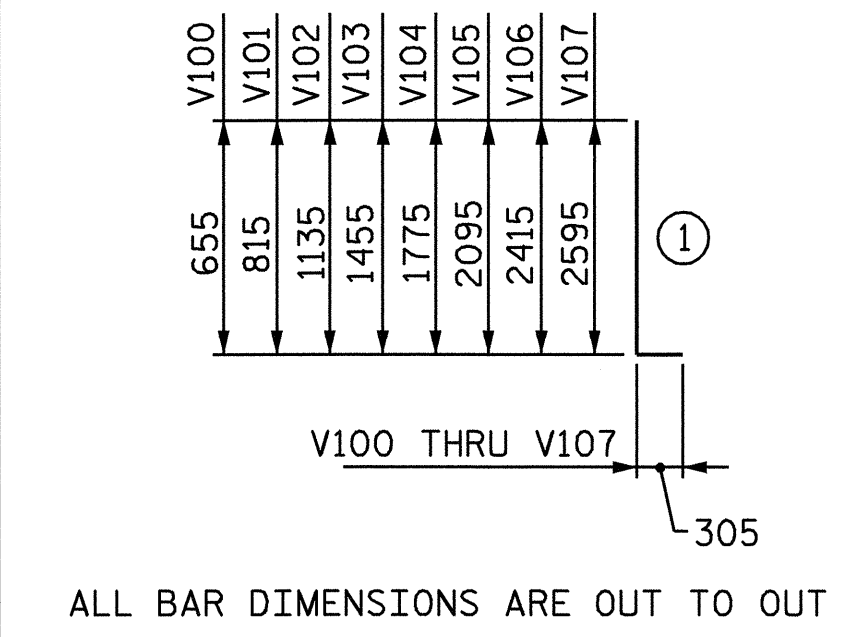


DETAIL A

REINFORCING STEEL FOR DEBRIS DEFLECTOR											
BAR	NO.	SIZE	TYPE	LENGTH	WEIGHT	BAR	NO.	SIZE	TYPE	LENGTH	WEIGHT
F1	2	#16	STR	4080	13	H100	2	#13	STR	3640	7
F2	2	#16	STR	4260	13	H101	2	#13	STR	3180	6
F3	2	#16	STR	4440	14	H102	2	#13	STR	2740	5
F4	2	#16	STR	4620	14	H103	2	#13	STR	2280	5
F5	2	#16	STR	4800	15	H104	2	#13	STR	1840	4
F6	2	#16	STR	5000	16	H105	2	#13	STR	1380	3
F7	2	#16	STR	5180	16	H106	2	#13	STR	940	2
F8	2	#16	STR	5360	17	H107	6	#13	STR	3980	24
F9	2	#16	STR	5540	17	H108	16	#13	STR	880	14
F10	2	#16	STR	5720	18						
F11	2	#16	STR	5900	18	V100	8	#16	1	960	12
F12	2	#16	STR	6100	19	V101	4	#16	1	1120	7
F13	2	#16	STR	6280	19	V102	4	#16	1	1660	10
F14	2	#16	STR	6460	20	V103	4	#16	1	1760	11
F15	2	#16	STR	3360	10	V104	4	#16	1	2080	13
F16	2	#16	STR	3540	11	V105	4	#16	1	2400	15
F17	2	#16	STR	3720	12	V106	4	#16	1	2720	17
F18	2	#16	STR	3900	12	V107	2	#16	1	2900	9
F19	2	#16	STR	4080	13						
F20	2	#16	STR	4280	13						
F21	2	#16	STR	4460	14						
F22	2	#16	STR	4640	14						
F23	2	#16	STR	4820	15						
F24	2	#16	STR	5000	16						
F25	2	#16	STR	5180	16						
F26	2	#16	STR	5360	17						
F27	2	#16	STR	5560	17						
F28	2	#16	STR	5740	18						
C9	44	#13	STR	3920	171						
C901	4	#13	STR	3660	15						
C902	4	#13	STR	3160	13						
C903	4	#13	STR	2680	11						
C904	4	#13	STR	2180	9						
C905	4	#13	STR	1680	7						
C906	4	#13	STR	1200	5						
C907	4	#13	STR	700	3						
TOTAL REINFORCING STEEL											825 kg
CLASS A CONCRETE											
1 DEBRIS DEFLECTORS											13.2 C.M.
BAR TYPE											
V100	8	#16	1	960	12						
V101	4	#16	1	1120	7						
V102	4	#16	1	1660	10						
V103	4	#16	1	1760	11						
V104	4	#16	1	2080	13						
V105	4	#16	1	2400	15						
V106	4	#16	1	2720	17						
V107	2	#16	1	2900	9						

* #19 D1 BARS ARE TO BE CAST WITH THE FLOOR SLAB OF THE CULVERT. THE BARS ARE INCLUDED WITH THE "BARREL REINFORCING STEEL SCHEDULE".

* #16 D2 BARS ARE TO BE CAST WITH THE WINGS. THE BARS ARE INCLUDED WITH THE WING REINFORCING STEEL.



1 CONCRETE QUANTITY INCLUDES DEBRIS DEFLECTOR WALLS, APRON SLAB, AND CURTAIN WALL.

PROJECT NO. R-0977A
 CHEROKEE COUNTY
 STATION: 35+18.000-LREV-

SHEET 12 OF 14

STATE OF NORTH CAROLINA
 DEPARTMENT OF TRANSPORTATION
 RALEIGH
 DEBRIS DEFLECTOR
 DETAILS DOUBLE
 2.400m X 2.400m
 CONCRETE BOX CULVERT
 90° SKEW



REVISIONS						SHEET NO.	
NO.	BY:	DATE:	NO.	BY:	DATE:	C-12	
1			3			TOTAL SHEETS	14
2			4				

DRAWN BY: V. X. NGUYEN DATE: 10-17-97
 CHECKED BY: B. N. BARODAWALA DATE: 9/04

20-DEC-2004 15:48
 W:\Squad1\0977a\str6\scallaway\R0977A_sd.CU.06.dgn
 lsutton

STR. #6