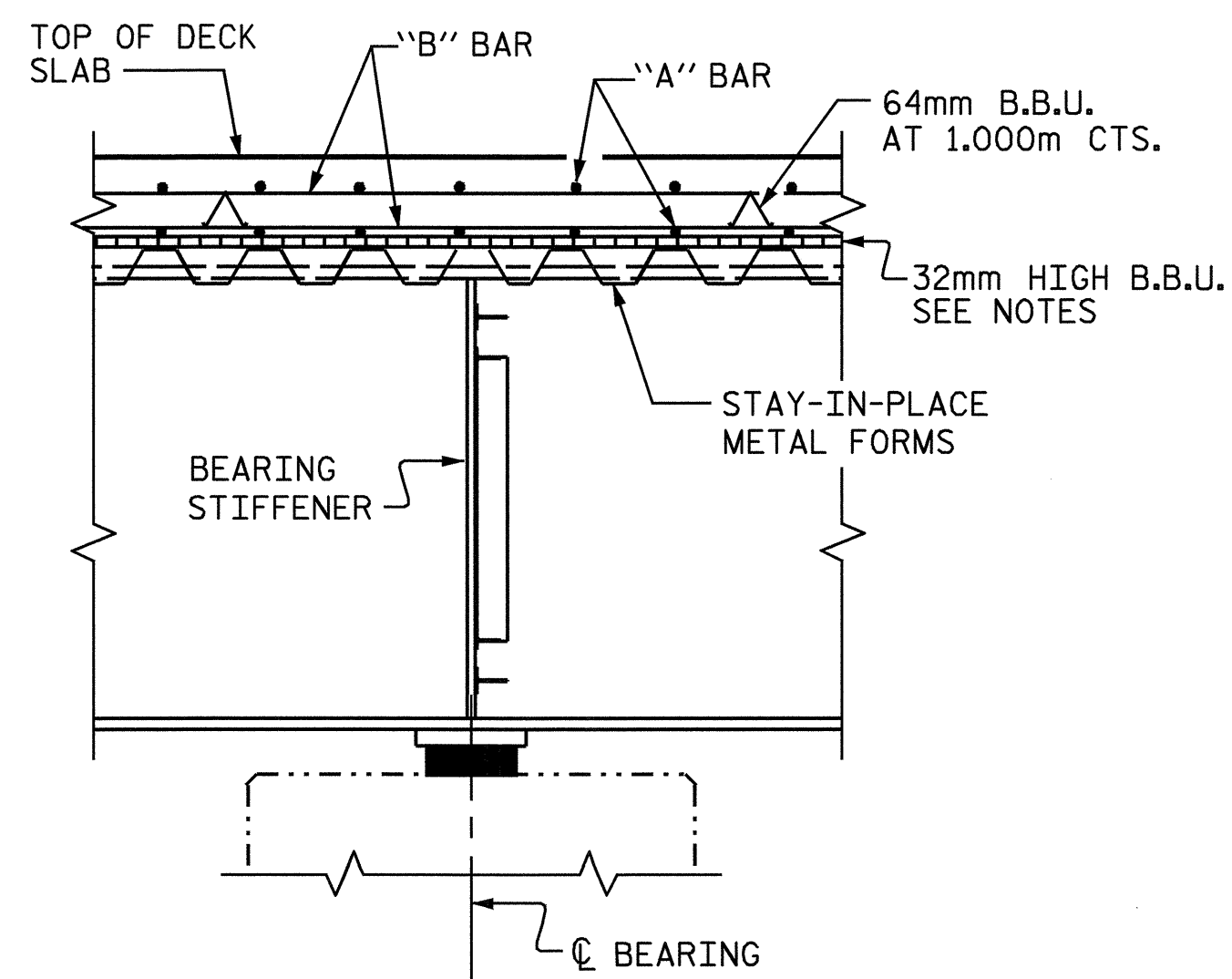


TYPICAL SECTION
THRU INTERMEDIATE DIAPHRAGM



SECTION THRU BENTS

PROJECT NO. R-0977A
CHEROKEE COUNTY
 STATION: 16+02.300-LC1B-

SHEET 2 OF 2

STATE OF NORTH CAROLINA
 DEPARTMENT OF TRANSPORTATION
 RALEIGH
 SUPERSTRUCTURE
 TYPICAL SECTION



DRAWN BY : A.S. CALLAWAY DATE : 1/20/04
 CHECKED BY : B.N. BARODAWALA DATE : 6/17/04

21-DEC-2004 14:26
 W:\SquadL\0977a\str\SCALLA\NR0977A.sd.TS.0l.dgn
 Isuttin

REVISIONS						SHEET NO.
NO.	BY:	DATE:	NO.	BY:	DATE:	S-5
1			3			TOTAL SHEETS
2			4			230

STR. #1