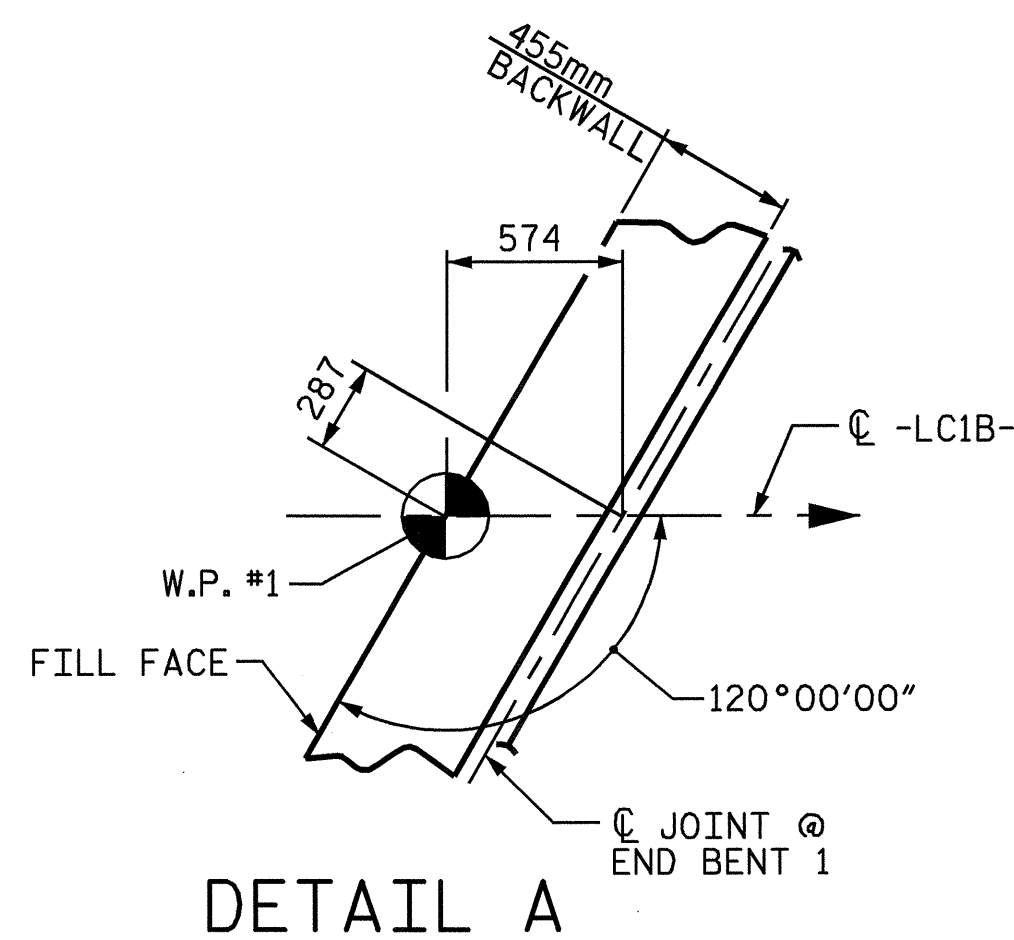
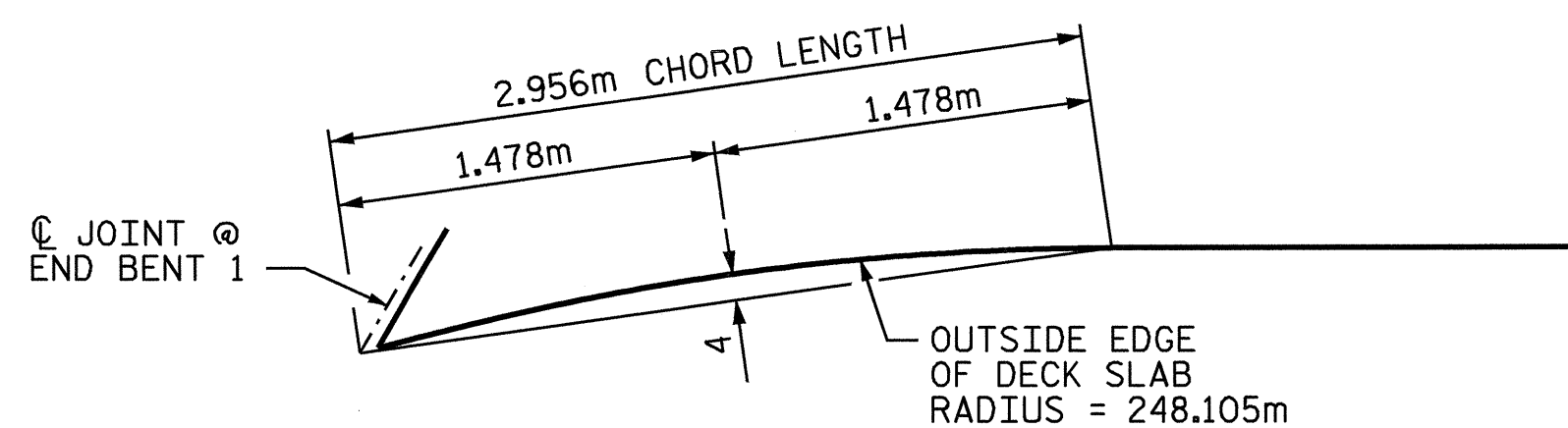


PLAN OF SPAN A



DETAIL A

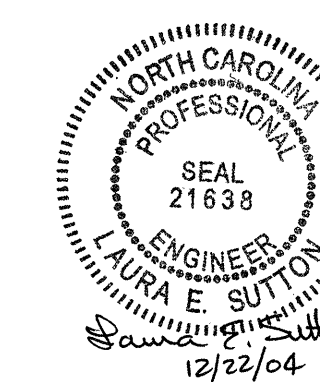


ARC OFFSET - RIGHT EDGE

PROJECT NO. R-0977A  
 CHEROKEE COUNTY  
 STATION: 16+02.300-LC1B-

SHEET 1 OF 3

STATE OF NORTH CAROLINA  
 DEPARTMENT OF TRANSPORTATION  
 RALEIGH  
 SUPERSTRUCTURE  
 PLAN OF SPANS



REVISIONS						SHEET NO.
NO.	BY:	DATE:	NO.	BY:	DATE:	
1			3			S-6
2			4			TOTAL SHEETS 230

DRAWN BY: A.S. CALLAWAY DATE: 1/29/04  
 CHECKED BY: B.N. BARODAWALA DATE: 6/17/04

21-DEC-2004 07:14  
 W:\Squad\160977a\str\scallaway\R0977A\_sd.s\*\_01.dgn  
 lsutton

STR. #1