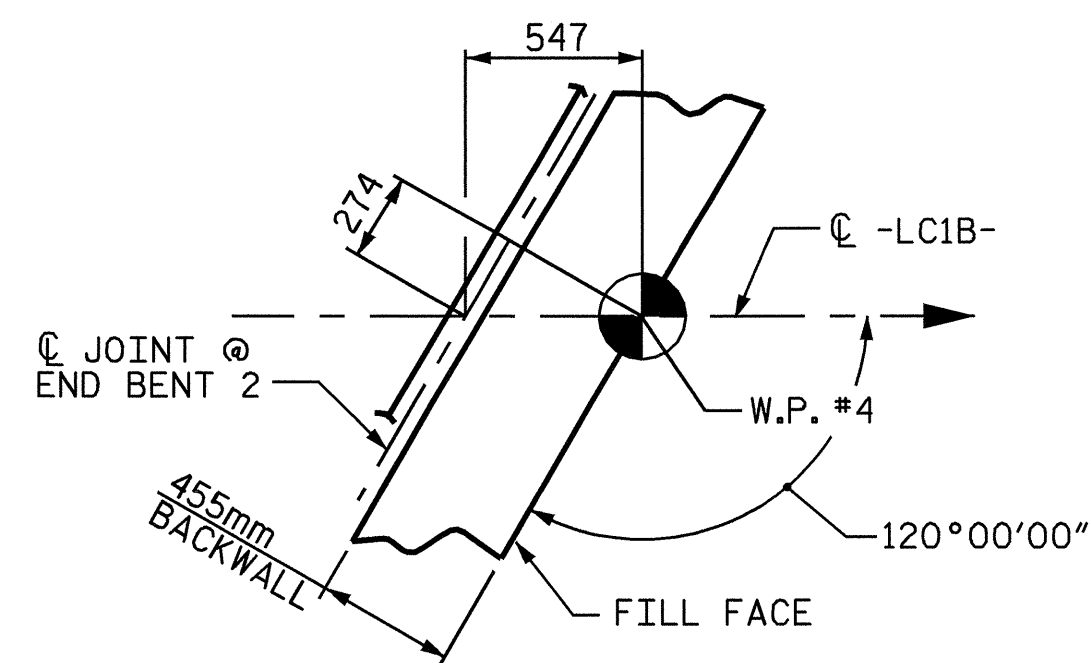


PLAN OF SPAN C



DETAIL B

PROJECT NO. R-0977A
 CHEROKEE COUNTY
 STATION: 16+02.300-LC1B-

SHEET 3 OF 3

STATE OF NORTH CAROLINA
 DEPARTMENT OF TRANSPORTATION
 RALEIGH
 SUPERSTRUCTURE
 PLAN OF SPANS



REVISIONS						SHEET NO.	
NO.	BY:	DATE:	NO.	BY:	DATE:	S-8	
1			3			TOTAL SHEETS	230
2			4				

DRAWN BY: A.S. CALLAWAY DATE: 1/29/04
 CHECKED BY: B.N. BARODAWALA DATE: 6/17/04

21-DEC-2004 07:13
 W:\SquadL\R0977A\str\scallaway\R0977A_sd_S*_0l.dgn
 lsutton

STR. #1