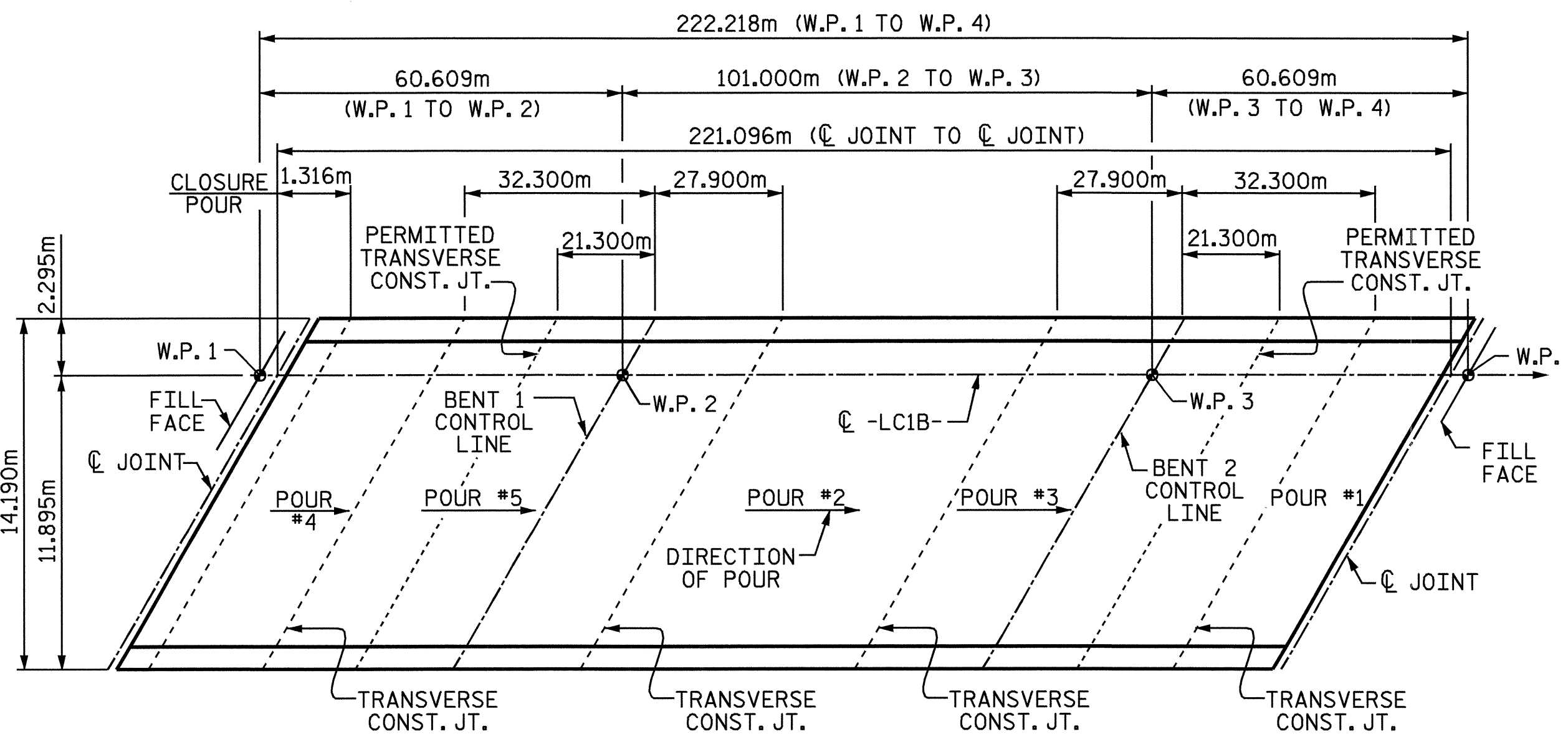


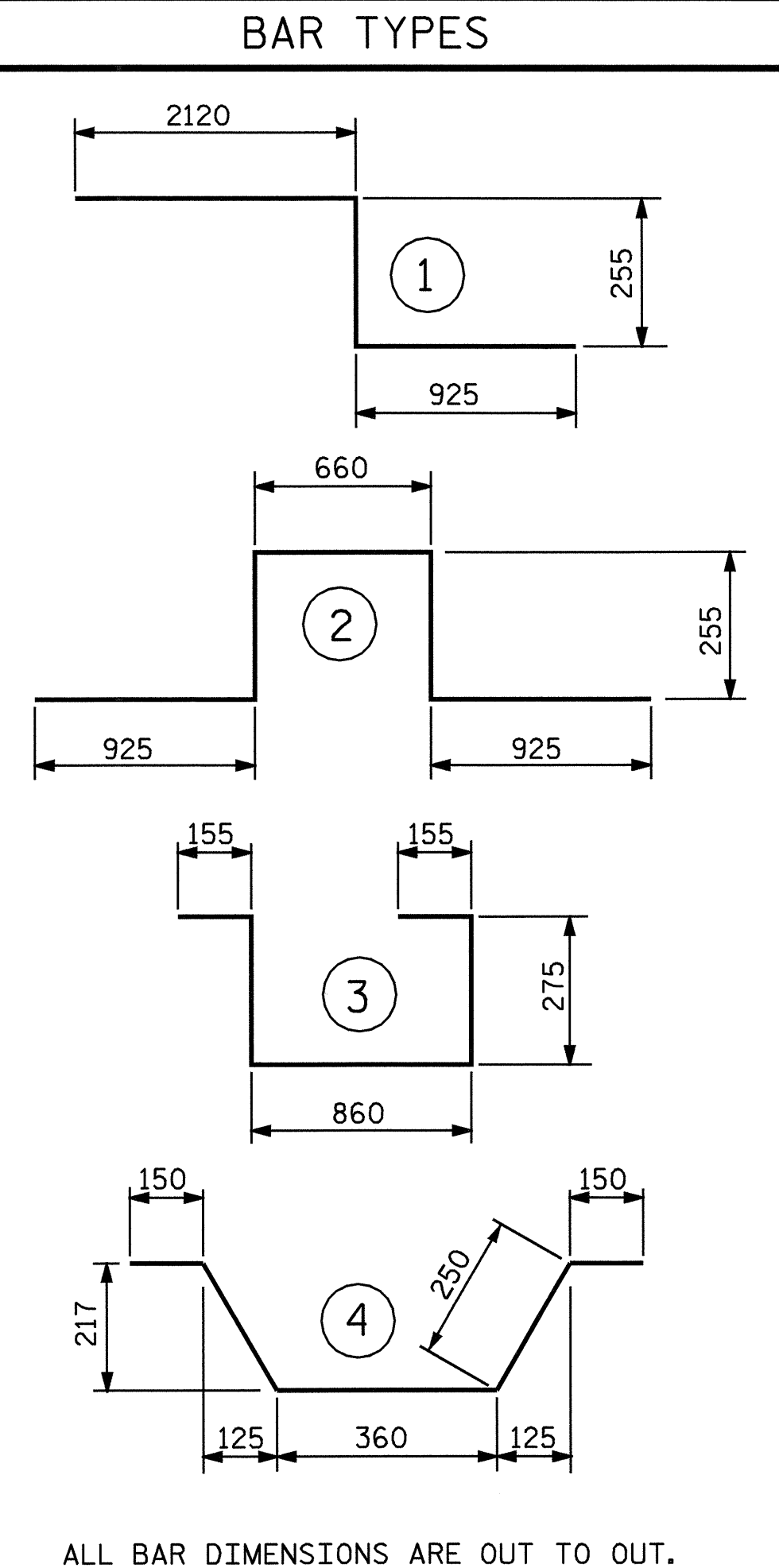
LAYOUT FOR COMPUTING AREA OF REINFORCED CONCRETE DECK SLAB (SQ. METER = 3137.4)



POURING SEQUENCE

BILL OF MATERIAL

SPANS A, B & C											
BAR	NO.	SIZE	TYPE	LENGTH	WEIGHT	BAR	NO.	SIZE	TYPE	LENGTH	WEIGHT
* A1	1520	#16	STR	14100	33262	* B1	128	#13	STR	7400	942
A2	1520	#16	STR	14100	33262	* B2	488	#19	STR	16080	17538
						* B3	448	#19	STR	15340	15360
* A101	6	#16	STR	13380	124	* B4	192	#13	STR	8460	1615
* A102	6	#16	STR	12660	118	* B5	128	#13	STR	7400	942
* A103	6	#16	STR	11940	112	B6	248	#16	STR	14140	5442
* A104	6	#16	STR	11200	104	B7	496	#19	STR	15960	17693
* A105	6	#16	STR	10480	98	B8	186	#16	STR	16260	4694
* A106	6	#16	STR	9740	90	* G1	13	#16	4	1160	23
* A107	6	#16	STR	9020	84	* G2	1	#16	STR	16260	25
* A108	6	#16	STR	8300	78						
* A109	6	#16	STR	7560	70	* K1	12	#16	1	3300	61
* A110	6	#16	STR	6840	64	* K2	12	#16	2	3020	56
* A111	6	#16	STR	6120	56	* K3	18	#16	STR	3600	101
* A112	6	#16	STR	5380	50						
* A113	6	#16	STR	4660	44	* S1	78	#13	3	1720	133
* A114	6	#16	STR	3920	36						
* A115	6	#16	STR	3200	30						
* A116	6	#16	STR	2480	24						
* A117	6	#16	STR	1740	16	REINFORCING STEEL	=			62299	KG
* A118	6	#16	STR	1020	10	EPOXY COATED REINF. STEEL	=			71266	KG
A201	6	#16	STR	13380	124						
A202	6	#16	STR	12660	118						
A203	6	#16	STR	11940	112						
A204	6	#16	STR	11200	104						
A205	6	#16	STR	10480	98						
A206	6	#16	STR	9740	90						
A207	6	#16	STR	9020	84						
A208	6	#16	STR	8300	78						
A209	6	#16	STR	7560	70						
A210	6	#16	STR	6840	64						
A211	6	#16	STR	6120	56						
A212	6	#16	STR	5380	50						
A213	6	#16	STR	4660	44						
A214	6	#16	STR	3920	36						
A215	6	#16	STR	3200	30						
A216	6	#16	STR	2480	24						
A217	6	#16	STR	1740	16						
A218	6	#16	STR	1020	10						



ALL BAR DIMENSIONS ARE OUT TO OUT.

SUPERSTRUCTURE BILL OF MATERIAL

	SAND LIGHTWEIGHT CONCRETE (CU. METER)	REINFORCING STEEL (kg)	EPOXY COATED REINFORCING STEEL (kg)
CLOSURE POUR	6.4	62299	71276
POUR #1	115.4		
POUR #2	173.3		
POUR #3	229.6		
POUR #4	108.2		
POUR #5	229.6		
TOTALS **	862.5	62299	71276

** QUANTITIES FOR BARRIER RAIL ARE NOT INCLUDED

SUPERSTRUCTURE REINFORCING STEEL LENGTHS ARE BASED ON THE FOLLOWING MINIMUM SPLICE LENGTHS

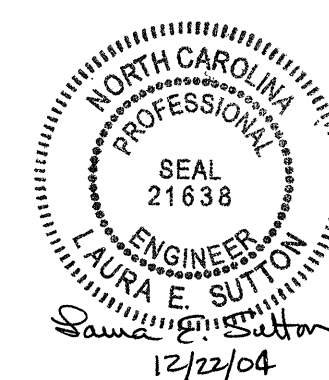
BAR SIZE	SUPERSTRUCTURE EXCEPT APPROACH SLABS, PARAPET, AND BARRIER RAIL		APPROACH SLABS		PARAPET AND BARRIER RAIL
	EPOXY COATED	UNCOATED	EPOXY COATED	UNCOATED	
#13	720	640	610	540	840
#16	910	780	770	660	1050
#19	1090	940	1190	790	1330
#22	1870	1260			
#25	2460	1640			

GROOVING BRIDGE FLOORS

BRIDGE DECK	2712.8	SQ.METER
APPROACH SLABS	184.0	SQ.METER
TOTAL	2896.8	SQ.METER

PROJECT NO. R-0977A
CHEROKEE COUNTY
STATION: 16+02.300-LC1B-

STATE OF NORTH CAROLINA
DEPARTMENT OF TRANSPORTATION
RALEIGH
SUPERSTRUCTURE
BILL OF MATERIAL



REVISIONS						SHEET NO.
NO.	BY:	DATE:	NO.	BY:	DATE:	
1			3			S-31
2			4			TOTAL SHEETS 230

ASSEMBLED BY : A.S. CALLAWAY DATE : 2/2/04
CHECKED BY : B.N. BARODAWALA DATE : 6/17/04
DRAWN BY : JMB 5/87 REV. 5/16/97 EEM/RGW
CHECKED BY : SJD 9/87