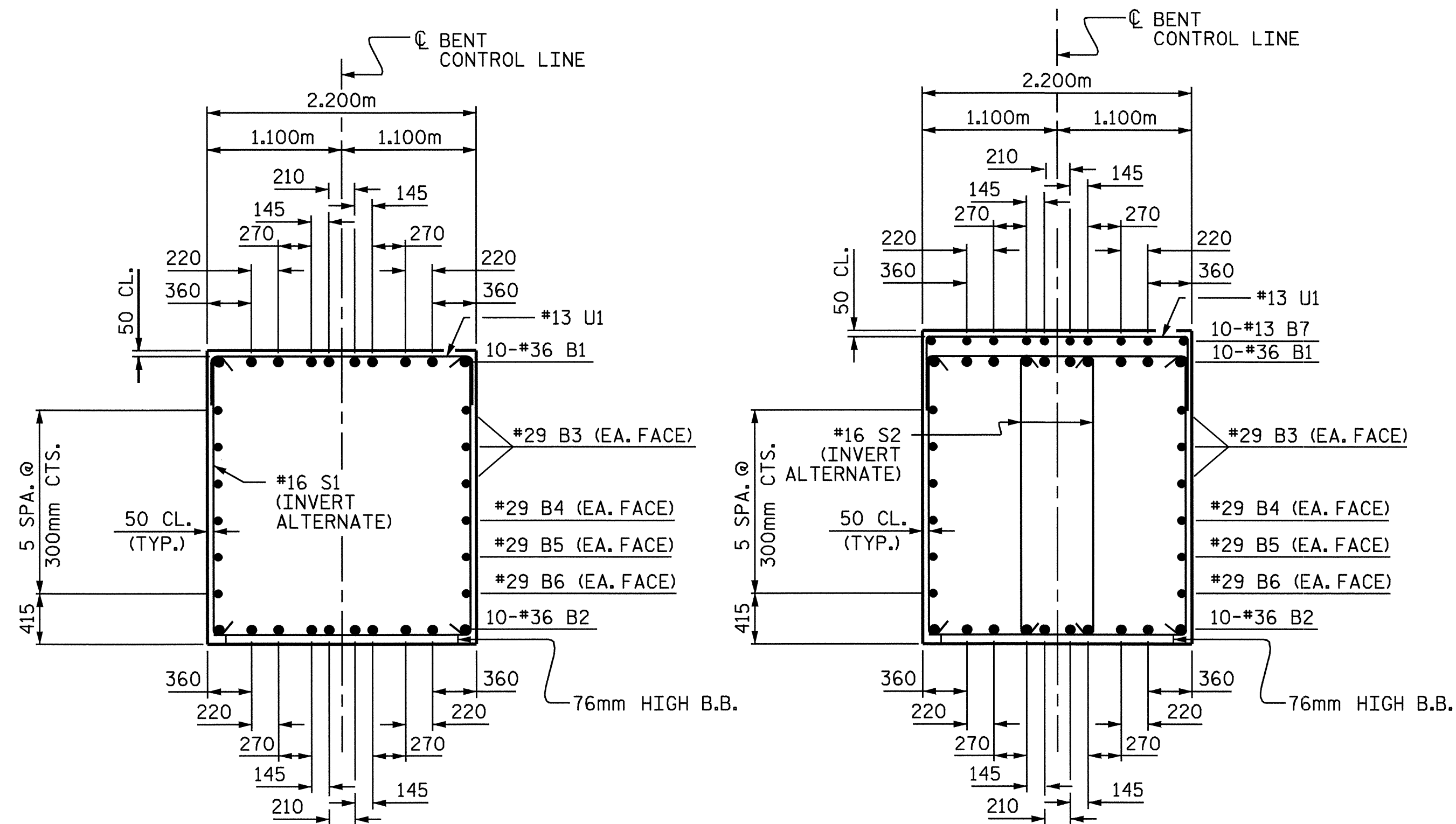


PLAN OF DRILLED PIERS

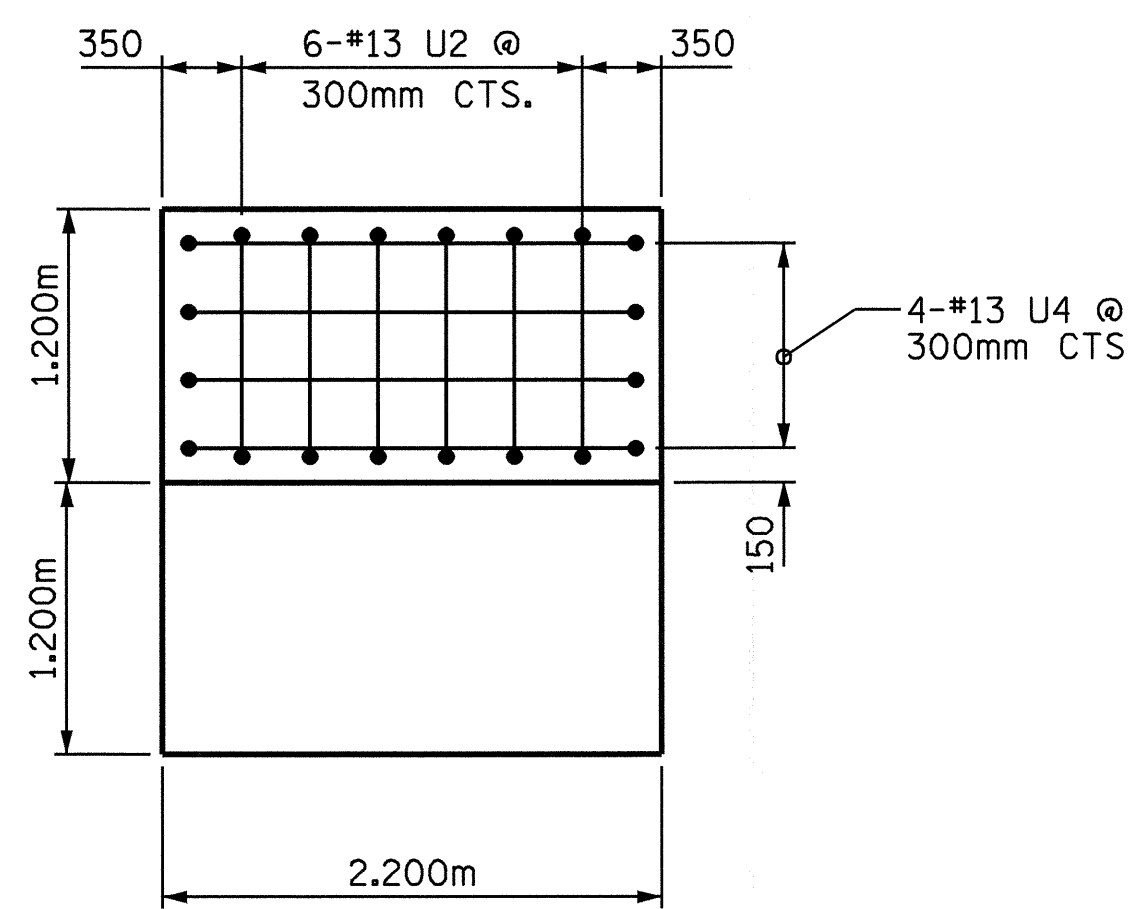
PLAN OF COLUMNS

PLAN OF COLUMNS & DRILLED PIERS

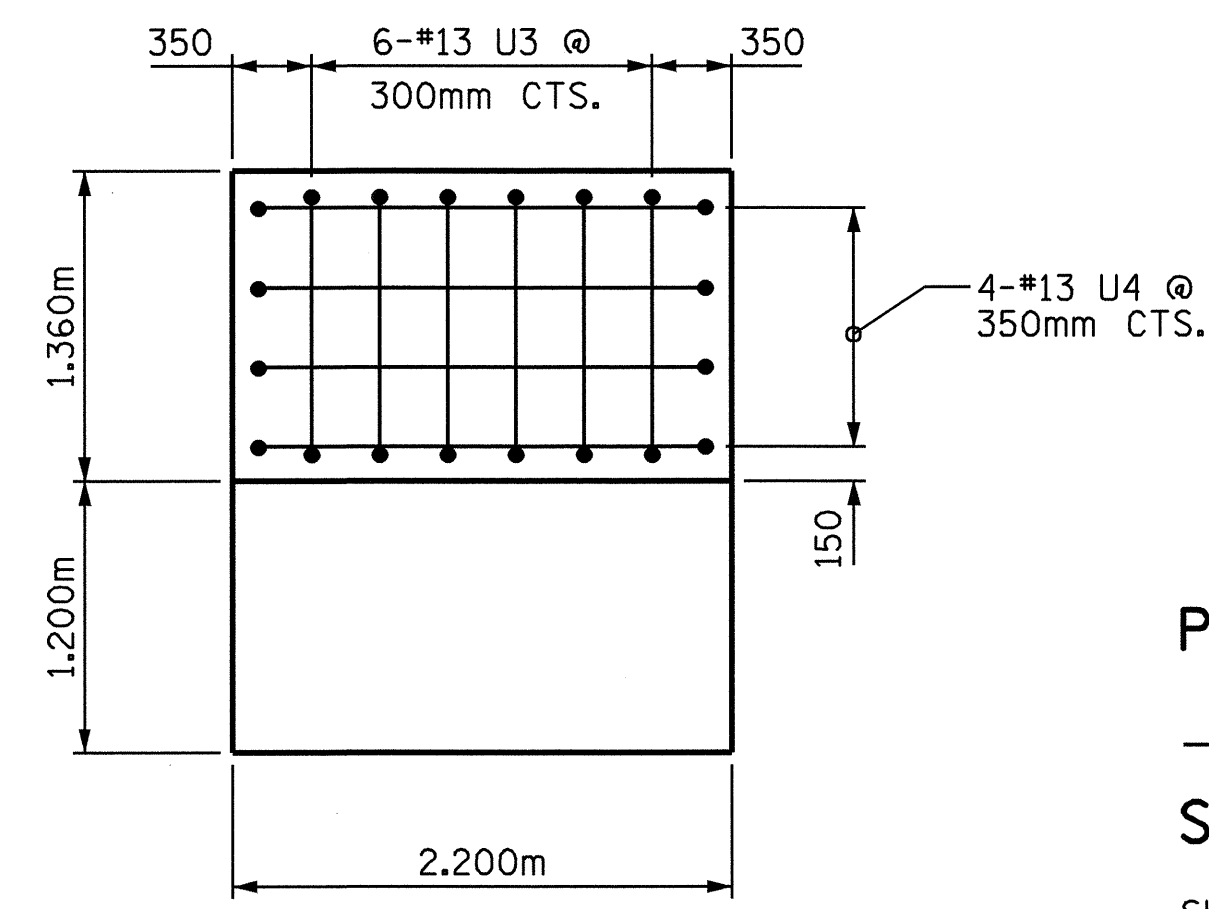


SECTION A-A

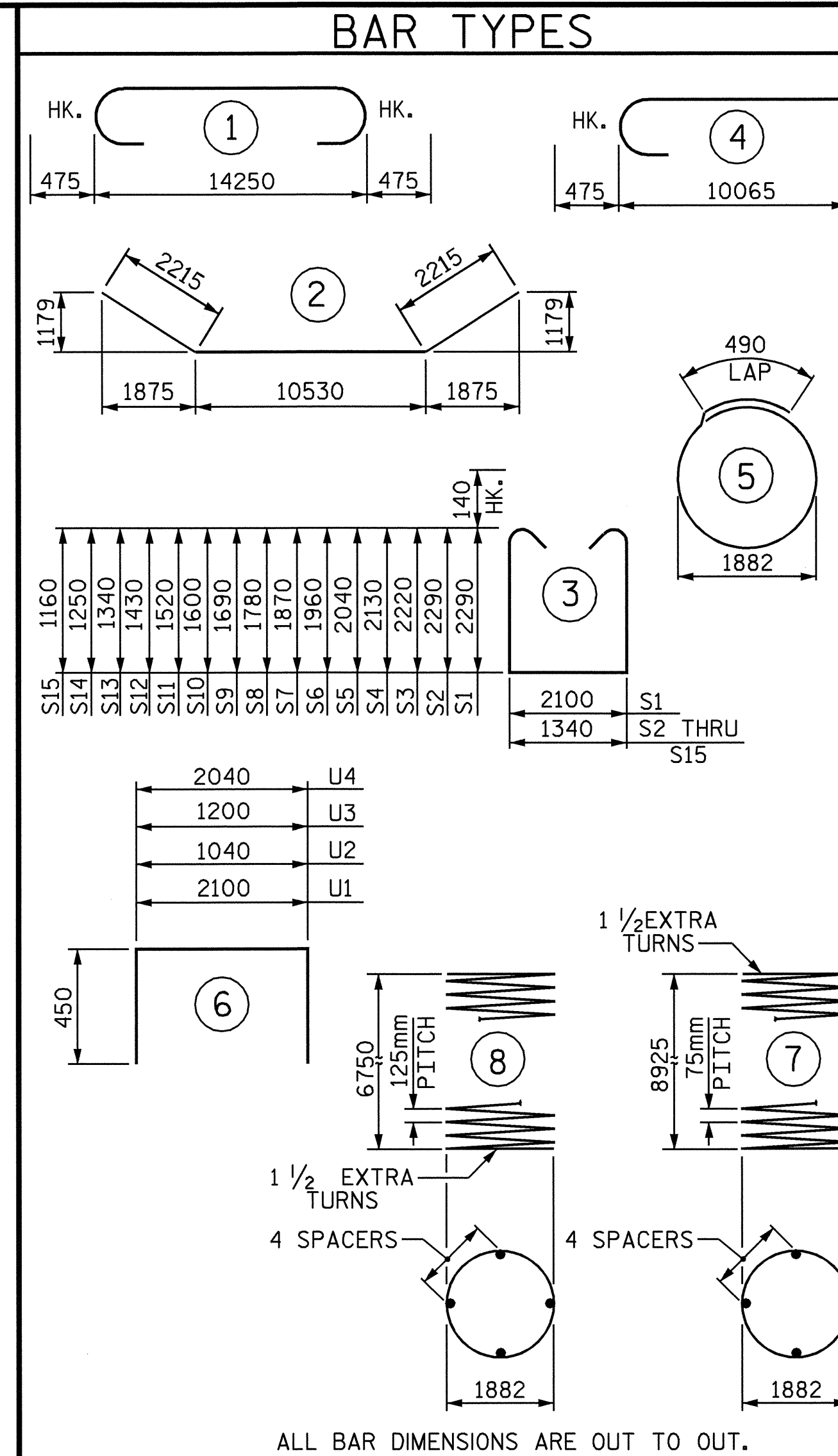
SECTION B-B



VIEW X-X



VIEW Y-Y



ALL BAR DIMENSIONS ARE OUT TO OUT.

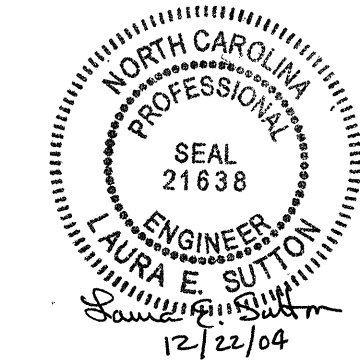
BILL OF MATERIAL					
BENT 1					
BAR	NO.	SIZE	TYPE	LENGTH	WEIGHT
B1	10	36	1	15200	1202
B2	10	36	2	14960	1183
B3	6	29	STR	14300	434
B4	2	29	STR	13620	138
B5	2	29	STR	12660	128
B6	2	29	STR	11700	118
B7	10	13	STR	5800	58
M1	72	36	STR	10020	5704
S1	13	16	3	6960	140
S2	36	16	3	6200	346
S3	4	16	3	6060	38
S4	4	16	3	5880	37
S5	4	16	3	5700	35
S6	4	16	3	5540	34
S7	4	16	3	5360	33
S8	4	16	3	5180	32
S9	4	16	3	5000	31
S10	4	16	3	4820	30
S11	4	16	3	4660	29
S12	4	16	3	4480	28
S13	4	16	3	4300	27
S14	4	16	3	4120	26
S15	4	16	3	3940	24
S16	24	16	5	6400	238
U1	42	13	6	3000	125
U2	6	13	6	1940	12
U3	6	13	6	2100	13
U4	8	13	6	2940	23
V1	72	36	4	10540	6000
TOTAL REINFORCING STEEL				kg	16266
SPIRAL COLUMN REINFORCING STEEL					
SP-1	2	**	8	325800	1011
SP-2	2	**	7	706500	2193
TOTAL SPIRAL COLUMN REINFORCING STEEL				kg	3204
CLASS A CONCRETE BREAKDOWN					
POUR #2 (COLUMNS) C.M.				54.6	
POUR #3 (BENT CAP) C.M.				73.3	
TOTAL				C.M.	127.9
DRILLED PIERS					
DRILLED PIER CONCRETE POUR #1 (DRILLED PIERS) C.M.				49.4	
2134mm Ø DRILLED PIERS IN SOIL METERS				5.8	
2134mm Ø DRILLED PIERS NOT IN SOIL METERS				8.0	
SID INSPECTION EA.				1	
SPT TESTING EA.				1	
CROSSHOLE SONIC LOGGING EA.				1	
CSL TUBES METERS				91.8	

* THE "SP" SPIRAL REINFORCING STEEL SHALL BE W31 OR D-31 COLD DRAWN WIRE OR #16 PLAIN OR DEFORMED BAR.

PROJECT NO. R-0977A
 CHEROKEE COUNTY
 STATION: 16+02.300 -LC1B-

SHEET 2 OF 2

STATE OF NORTH CAROLINA DEPARTMENT OF TRANSPORTATION RALEIGH					
SUBSTRUCTURE BENT 1					
REVISIONS					SHEET NO.
NO.	BY:	DATE:	NO.	BY:	DATE:
1			3		
2			4		
					S-36
					TOTAL SHEETS 230



DRAWN BY: A. K. PATEL DATE: 10/18/04
 CHECKED BY: J. D. HAWK DATE: 10/26/04

21-DEC-2004 07:04
 W:\SquadL\R-0977A\str\jhwk\R0977A.sd.B*.0L.dgn
 Isutton

STR. #1