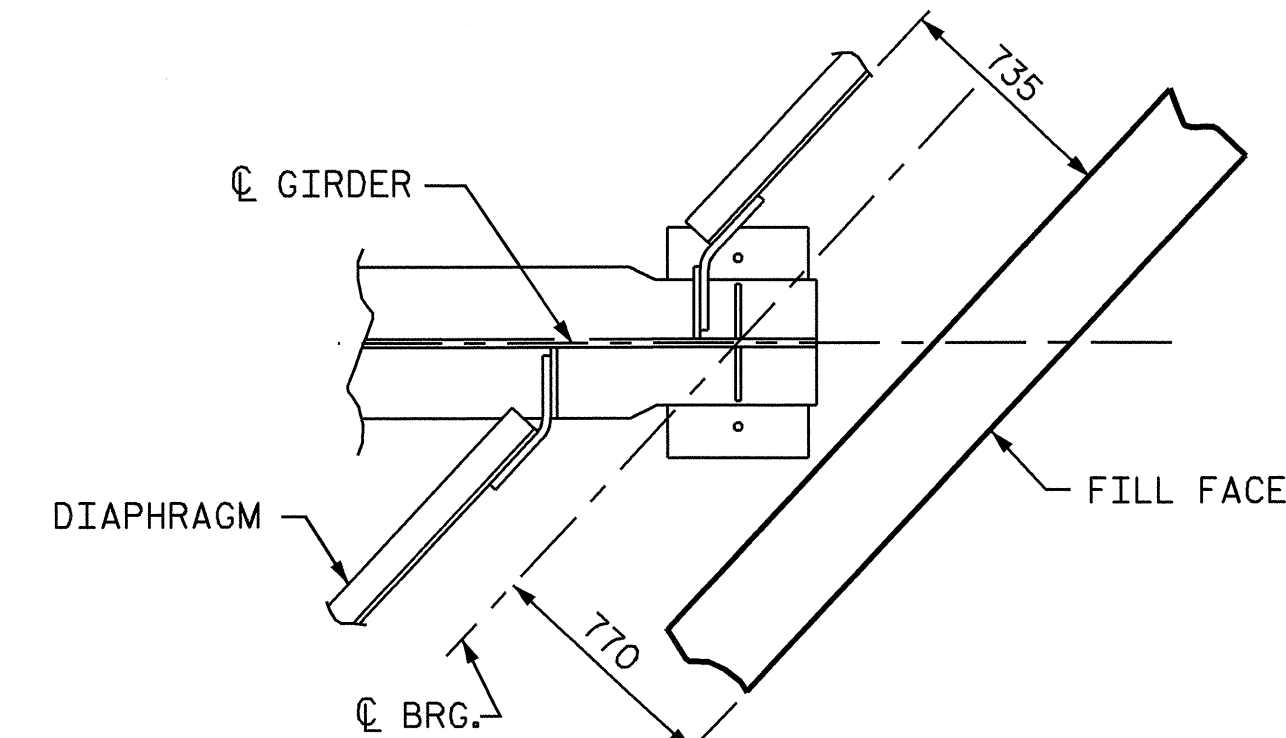
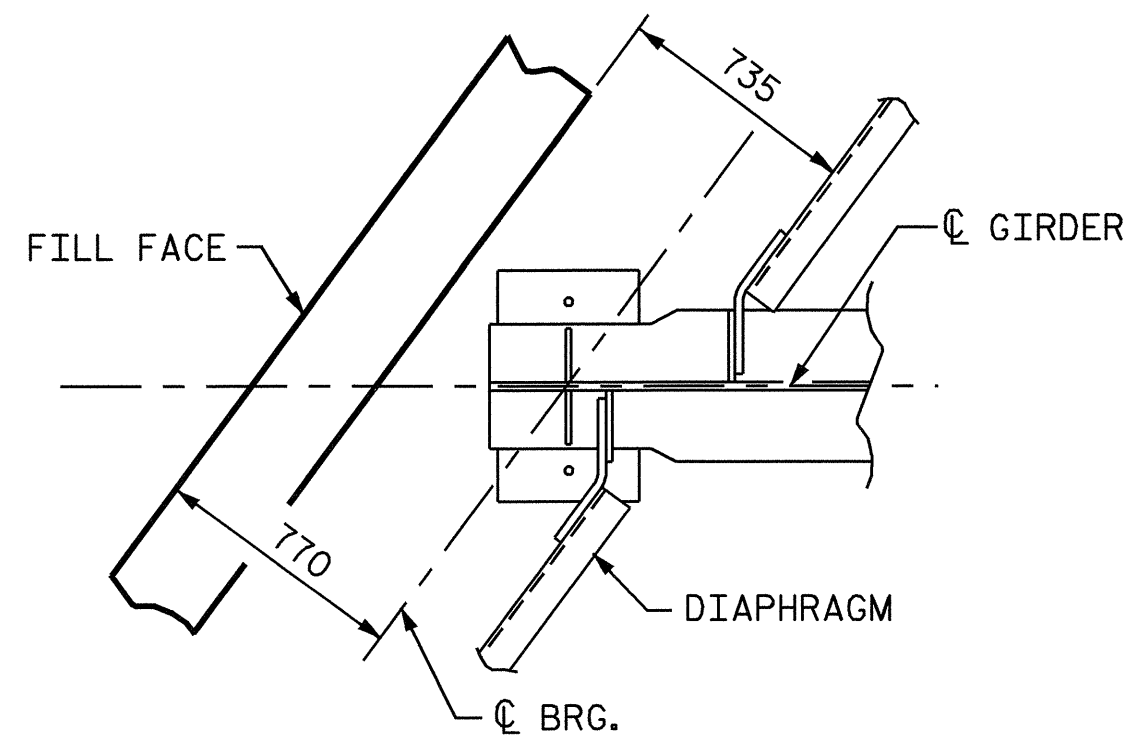


SPAN A

INTERMEDIATE DIAPHRAGMS (TYPE D2) ARE TO BE PLACED RADIALLY TO GIRDERS.

ANGLE (TAN. TO CURVE)

A	126°45'01"	F	133°24'10"
B	126°25'48"	G	132°59'51"
C	126°06'55"	H	132°36'02"
D	125°48'25"	I	132°12'44"
E	125°30'14"	J	131°49'54"

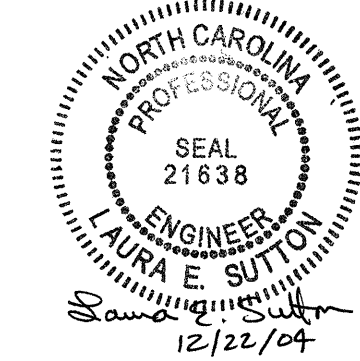


PROJECT NO. R-0977A
CHEROKEE COUNTY
 STATION: 18+31.299-LC1B2-

STATE OF NORTH CAROLINA
 DEPARTMENT OF TRANSPORTATION
 RALEIGH

**SUPERSTRUCTURE
 FRAMING PLAN**

REVISIONS						SHEET NO.
NO.	BY:	DATE:	NO.	BY:	DATE:	S-56
1			3			TOTAL SHEETS
2			4			230



DRAWN BY: A.S. CALLAWAY DATE: 4/20/04
 CHECKED BY: W.D. CRUTCHER DATE: 9/20/04