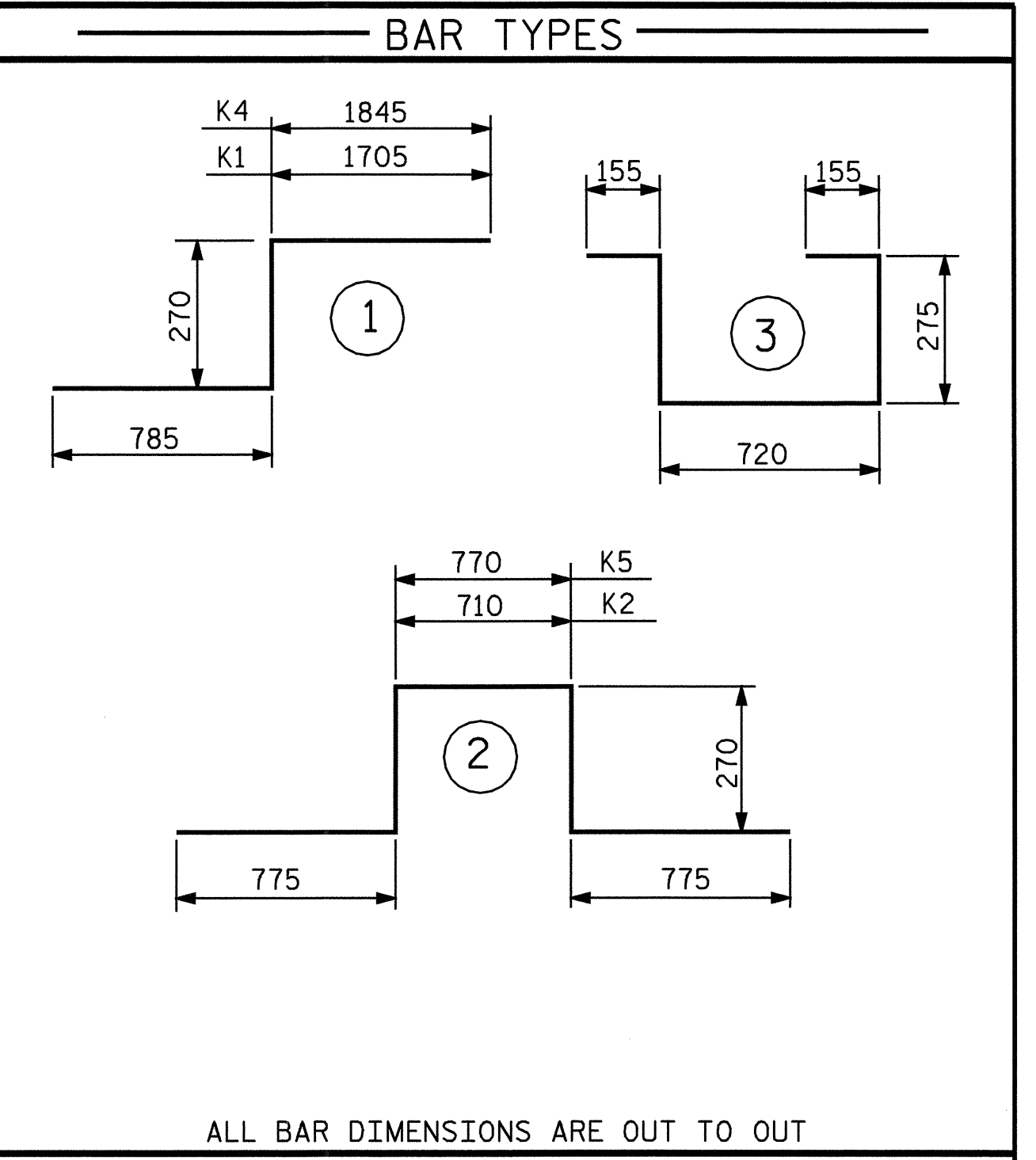


SUPERSTRUCTURE REINFORCING STEEL LENGTHS ARE BASED ON THE FOLLOWING MINIMUM SPLICE LENGTHS					
BAR SIZE	SUPERSTRUCTURE EXCEPT APPROACH SLABS, PARAPET, AND BARRIER RAIL		APPROACH SLABS		PARAPET AND BARRIER RAIL
	EPOXY COATED	UNCOATED	EPOXY COATED	UNCOATED	
#13	610	540	610	540	840
#16	770	660	770	660	1050
#19	920	790	1190	790	1330
#22	1580	1060			
#25	2080	1390			

BILL OF MATERIAL																	
SPAN A																	
BAR	NO.	SIZE	TYPE	LENGTH	WEIGHT	BAR	NO.	SIZE	TYPE	LENGTH	WEIGHT	BAR	NO.	SIZE	TYPE	LENGTH	WEIGHT
*A1	216	#16	STR	14100	4727	*A140	3	#16	STR	5100	24	A235	3	#16	STR	7900	37
A2	216	#16	STR	14100	4727	*A141	3	#16	STR	4580	21	A236	3	#16	STR	7380	34
*A101	3	#16	STR	13380	62	*A142	3	#16	STR	4060	19	A237	3	#16	STR	6860	32
*A102	3	#16	STR	12820	60	*A143	3	#16	STR	3540	16	A238	3	#16	STR	6340	30
*A103	3	#16	STR	12260	57	*A144	3	#16	STR	3040	14	A239	3	#16	STR	5840	27
*A104	3	#16	STR	11700	54	*A145	3	#16	STR	2520	12	A240	3	#16	STR	5320	25
*A105	3	#16	STR	11140	52	*A146	3	#16	STR	2000	9	A241	3	#16	STR	4800	22
*A106	3	#16	STR	10560	49							A242	3	#16	STR	4280	20
*A107	3	#16	STR	10000	47	A201	3	#16	STR	13600	63	A243	3	#16	STR	3760	18
*A108	3	#16	STR	9440	44	A202	3	#16	STR	13040	60	A244	3	#16	STR	3260	15
*A109	3	#16	STR	8880	41	A203	3	#16	STR	12480	58	A245	3	#16	STR	2740	13
*A110	3	#16	STR	8300	39	A204	3	#16	STR	11920	55	A246	3	#16	STR	2220	10
*A111	3	#16	STR	7740	36	A205	3	#16	STR	11360	53	A247	3	#16	STR	1720	8
*A112	3	#16	STR	7180	33	A206	3	#16	STR	10780	50	A248	3	#16	STR	1200	6
*A113	3	#16	STR	6600	31	A207	3	#16	STR	10220	48						
*A114	3	#16	STR	6040	28	A208	3	#16	STR	9660	45	*A250	3	#19	STR	1740	12
*A115	3	#16	STR	5480	26	A209	3	#16	STR	9100	42	*A251	3	#19	STR	1940	13
*A116	3	#16	STR	4900	23	A210	3	#16	STR	8520	40						
*A117	3	#16	STR	4340	20	A211	3	#16	STR	7960	37	*B1	192	#13	STR	7960	1519
*A118	3	#16	STR	3760	18	A212	3	#16	STR	7400	34						
*A119	3	#16	STR	3200	15	A213	3	#16	STR	6820	32	B2	168	#16	STR	15340	4000
*A120	3	#16	STR	2620	12	A214	3	#16	STR	6260	29						
*A121	3	#16	STR	2060	10	A215	3	#16	STR	5700	27	*G1	1	#16	STR	17460	27
						A216	3	#16	STR	5120	24	*G2	2	#16	STR	9960	31
						A217	3	#16	STR	4560	21						
						A218	3	#16	STR	3980	19	*K1	6	#16	1	2760	26
*A124	3	#16	STR	13420	62	A219	3	#16	STR	3420	16	*K2	9	#16	2	2800	39
*A125	3	#16	STR	12900	60	A220	3	#16	STR	2840	13	*K3	12	#16	STR	3000	56
*A126	3	#16	STR	12380	58	A221	3	#16	STR	2280	11	*K4	6	#16	1	2900	27
*A127	3	#16	STR	11860	55	A222	3	#16	STR	1700	8	*K5	9	#16	2	2860	40
*A128	3	#16	STR	11340	53	A223	3	#16	STR	1120	5	*K6	12	#16	STR	3500	65
*A129	3	#16	STR	10800	50	A224	3	#16	STR	13640	64						
*A130	3	#16	STR	10280	48	A225	3	#16	STR	13120	61	*S1	80	#13	3	1580	126
*A131	3	#16	STR	9760	45	A226	3	#16	STR	12600	59						
*A132	3	#16	STR	9240	43	A227	3	#16	STR	12080	56						
*A133	3	#16	STR	8720	41	A228	3	#16	STR	11540	54						
*A134	3	#16	STR	8200	38	A229	3	#16	STR	11020	51						
*A135	3	#16	STR	7680	36	A230	3	#16	STR	10500	49						
*A136	3	#16	STR	7160	33	A231	3	#16	STR	9980	46						
*A137	3	#16	STR	6640	31	A232	3	#16	STR	9460	44						
*A138	3	#16	STR	6140	29	A233	3	#16	STR	8940	42						
*A139	3	#16	STR	5620	26	A234	3	#16	STR	8420	39						

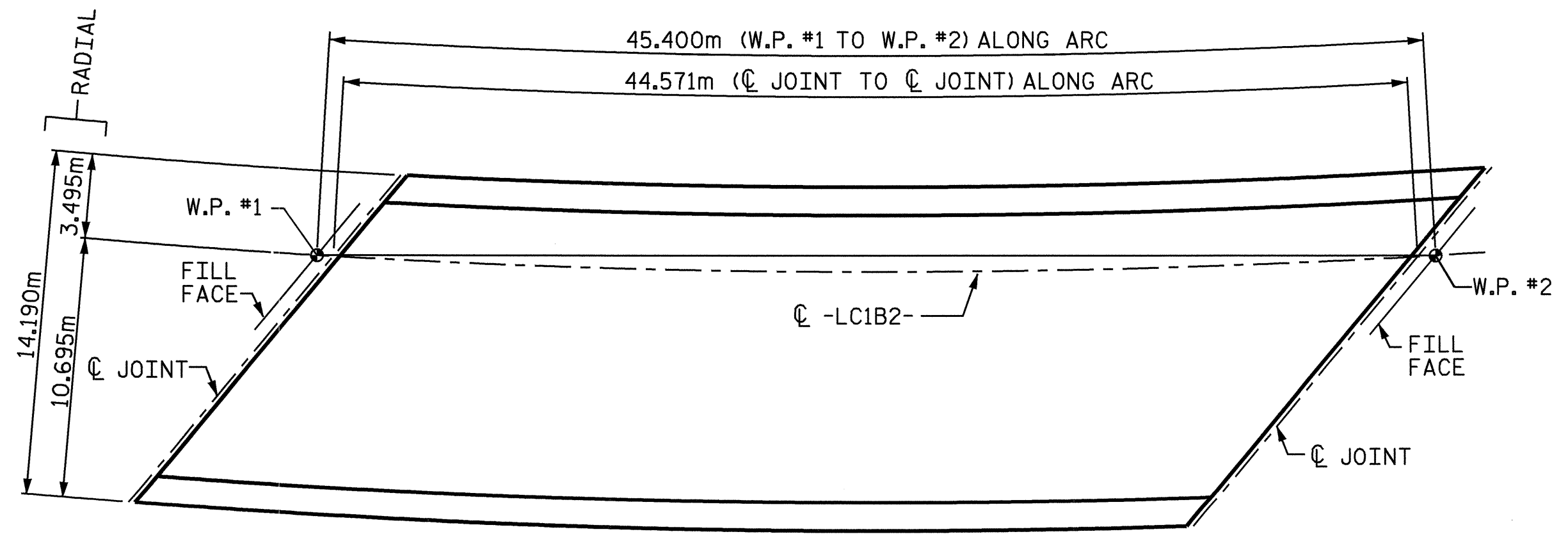


ALL BAR DIMENSIONS ARE OUT TO OUT

SUPERSTRUCTURE BILL OF MATERIAL			
SPAN "A"	CLASS AA CONCRETE (CU. METER)	REINFORCING STEEL (kg)	EPOXY COATED REINFORCING STEEL (kg)
TOTALS**	158.7	10379	8288

** QUANTITIES FOR BARRIER RAIL ARE NOT INCLUDED

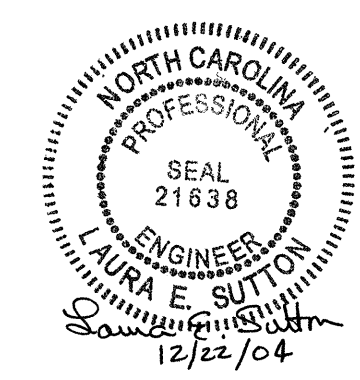
GROOVING BRIDGE FLOORS	
BRIDGE DECK	542.0 SQ.METER
APPROACH SLAB	230.4 SQ.METER
TOTAL	772.4 SQ.METER



LAYOUT FOR COMPUTING AREA OF REINFORCED CONCRETE DECK SLAB (SQ. METER = 632.5)

PROJECT NO. R-0977A
 CHEROKEE COUNTY
 STATION: 18+31.299-LC1B2-

STATE OF NORTH CAROLINA
 DEPARTMENT OF TRANSPORTATION
 RALEIGH
 STANDARD
 SUPERSTRUCTURE
 BILL OF MATERIAL



REVISIONS				SHEET NO.	
NO.	BY:	DATE:	NO.	BY:	DATE:
1			3		
2			4		

ASSEMBLED BY : A.S. CALLAWAY DATE : 4/14/04
 CHECKED BY : W.D. CRUTCHER DATE : 9/20/04
 DRAWN BY : JMB 5/87
 CHECKED BY : SJD 9/87
 REV. 5/16/97 EEM/RGW