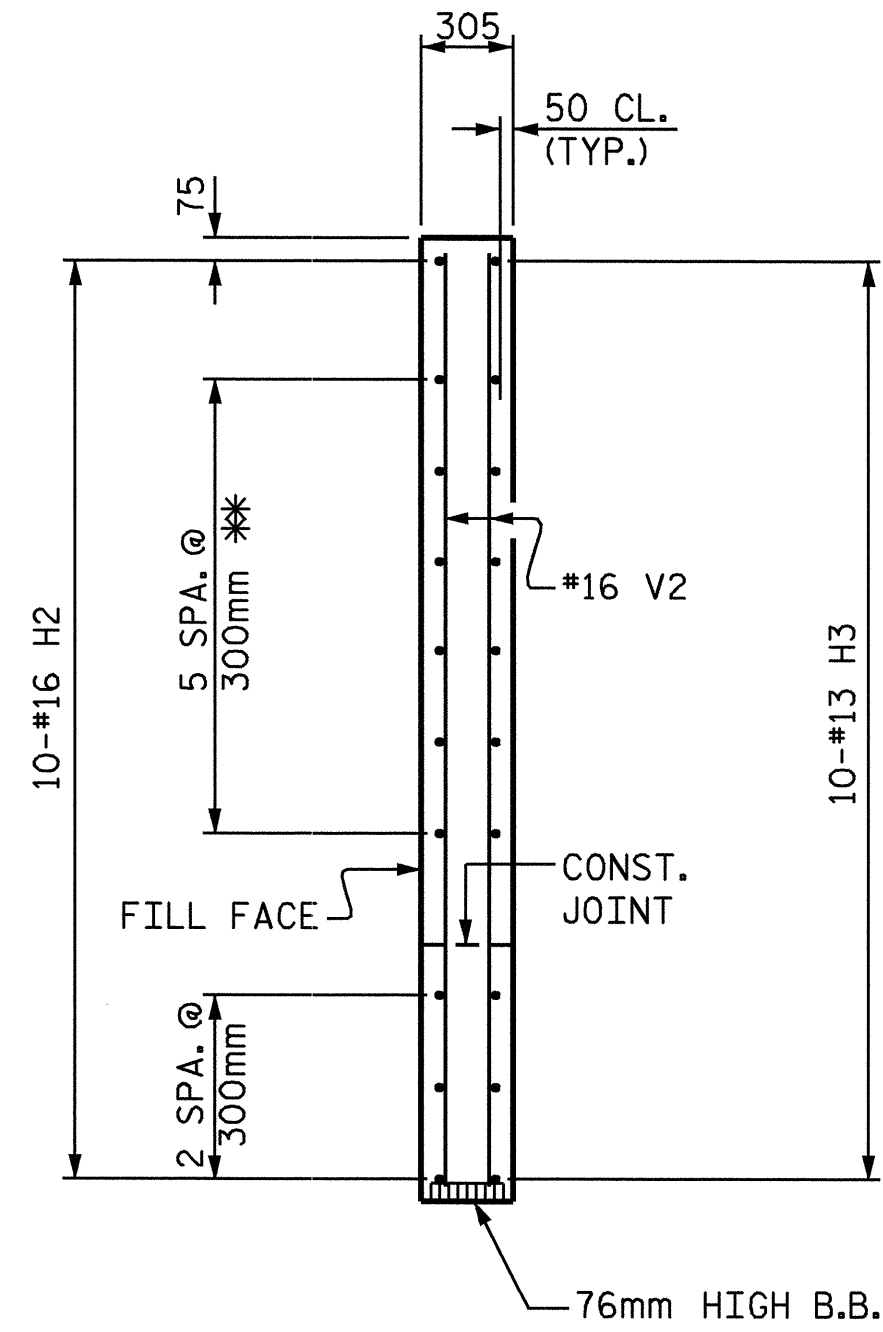
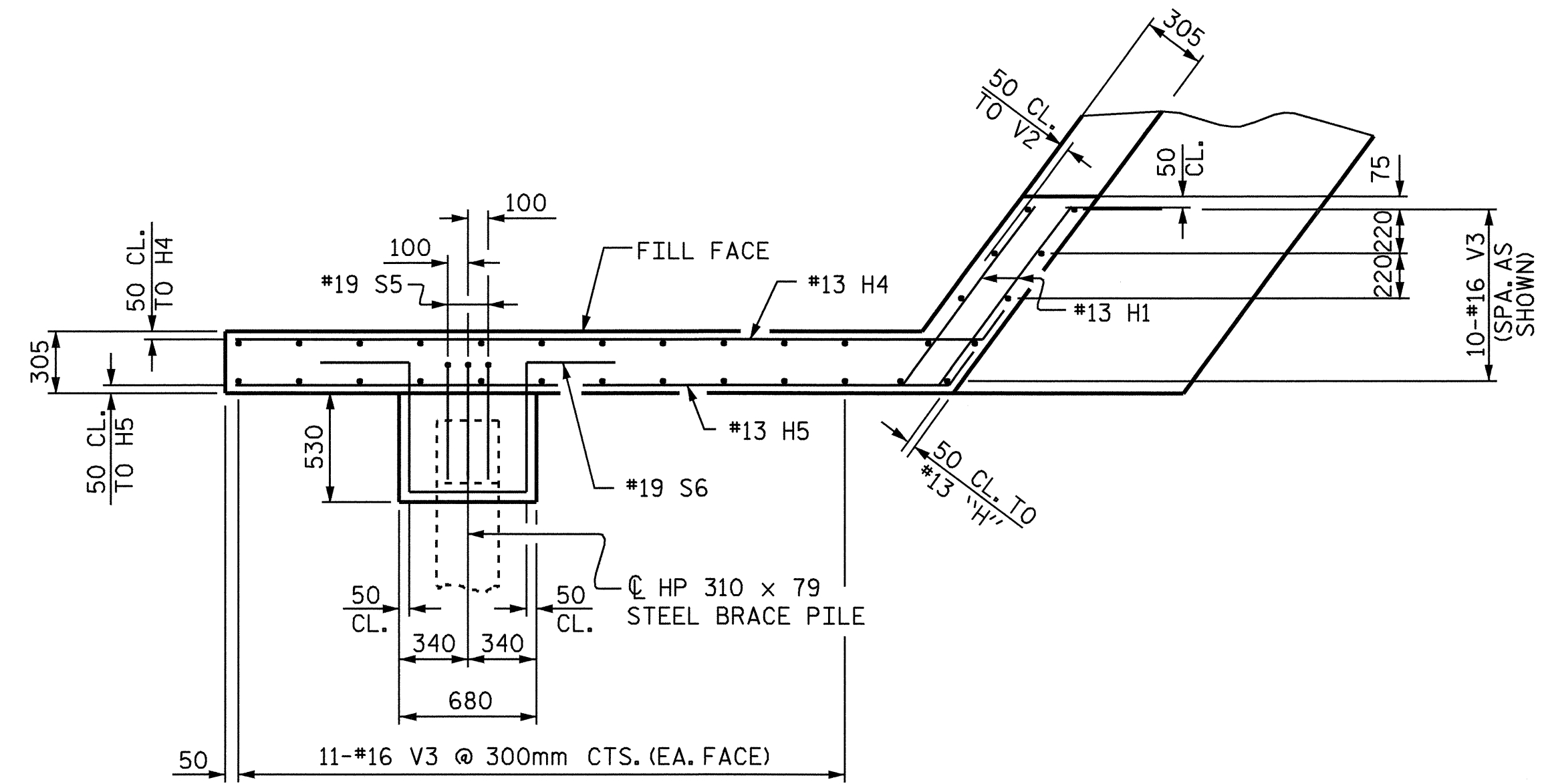


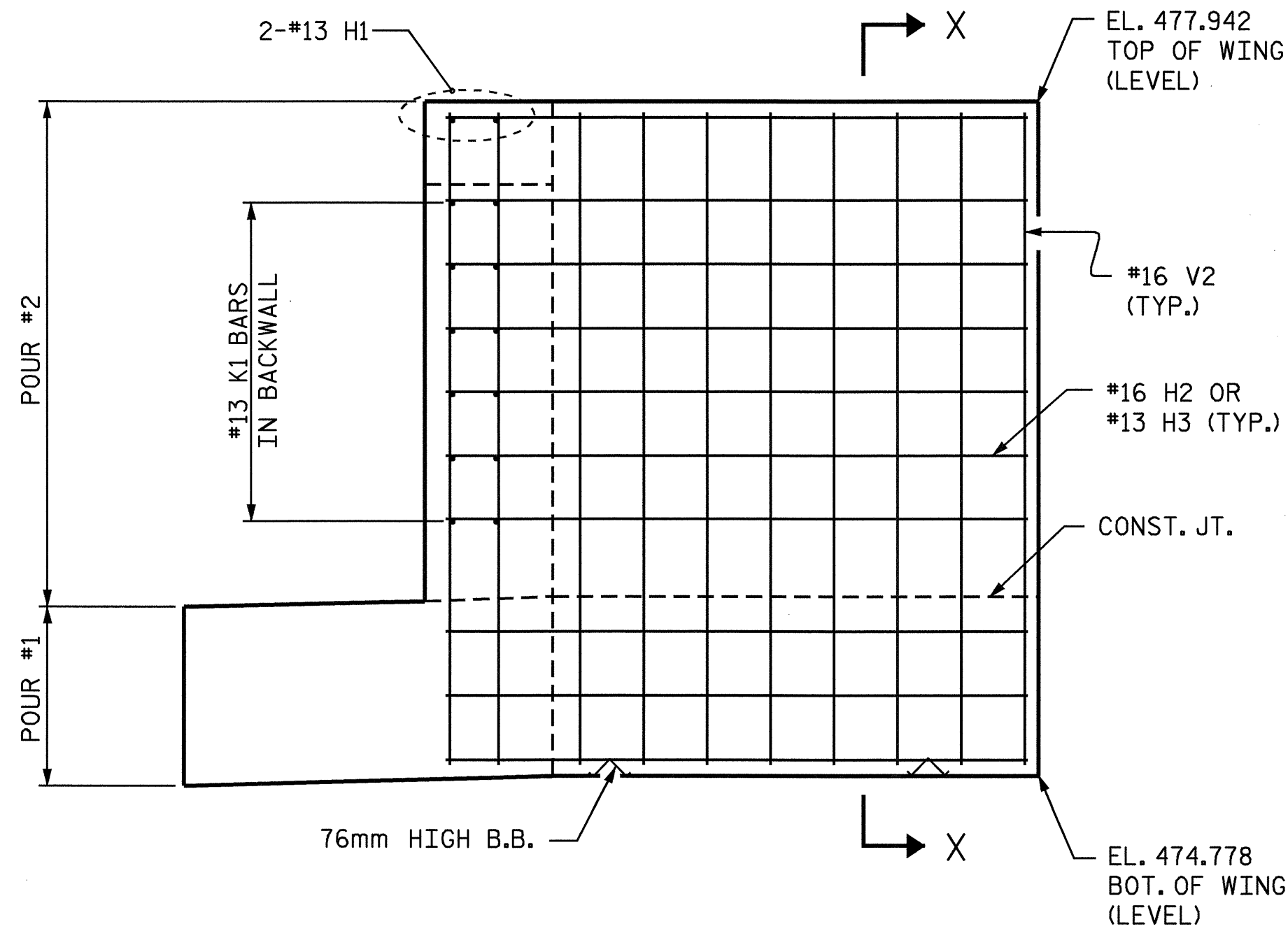
PLAN W1



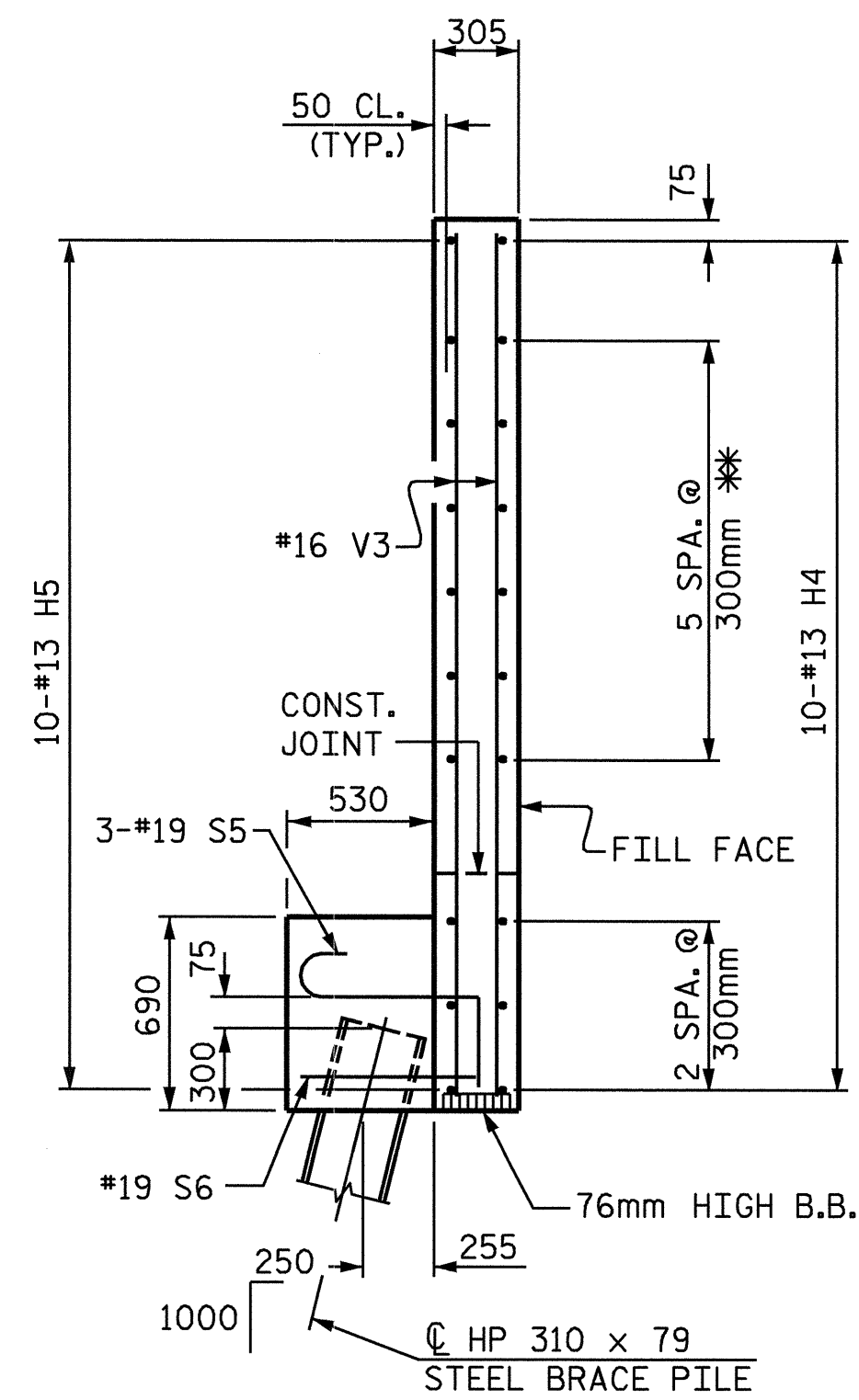
SECTION X-X



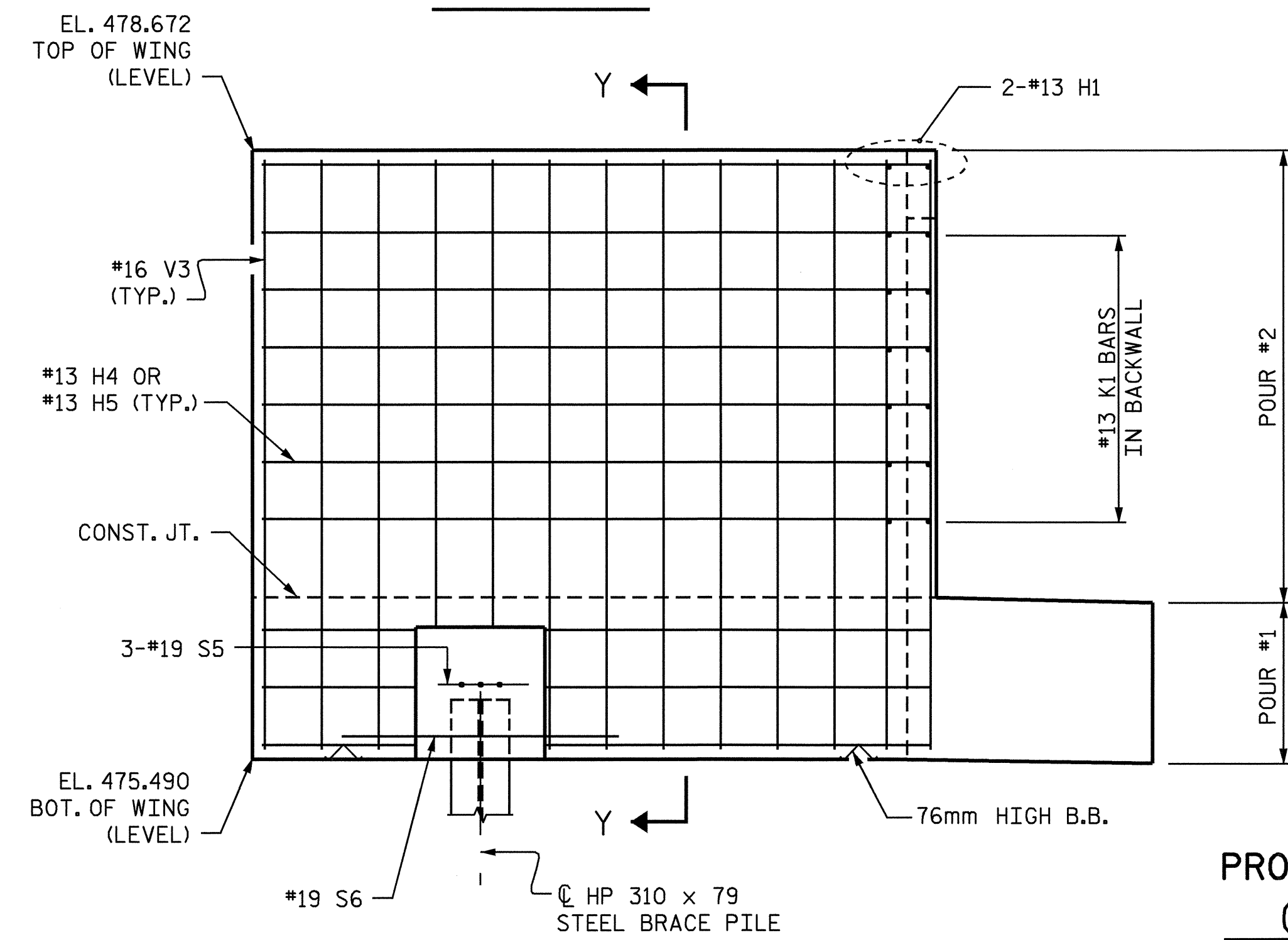
PLAN W2



ELEVATION W1



SECTION Y-Y



ELEVATION W2

\* MATCH TO "K" BARS IN BACKWALL.

PROJECT NO. R-0977A  
 CHEROKEE COUNTY  
 STATION: 18+31.299-LC1B-

SHEET 2 OF 3

STATE OF NORTH CAROLINA DEPARTMENT OF TRANSPORTATION RALEIGH						SHEET NO. S-67
SUBSTRUCTURE END BENT 1						
REVISIONS						TOTAL SHEETS 230
NO.	BY:	DATE:	NO.	BY:	DATE:	
1			3			
2			4			



DRAWN BY: A.S. CALLAWAY DATE: 6/18/04  
 CHECKED BY: J.P. ADAMS DATE: 9/23/04

20-DEC-2004 16:42  
 W:\SquadL\R0977A\str2\scallaway\R0977A.sd.EL.02.dgn  
 lsutton

STR. #2