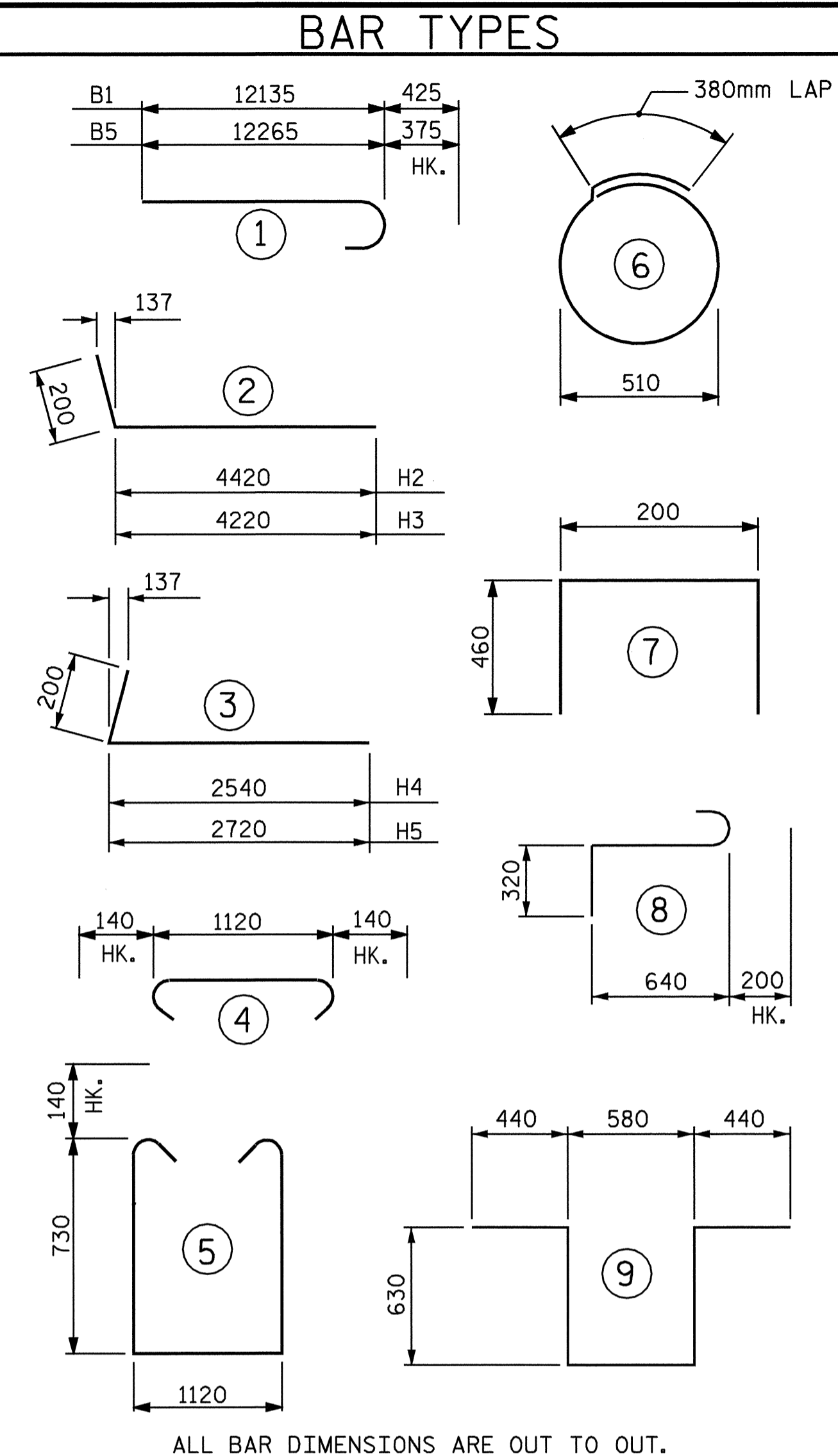
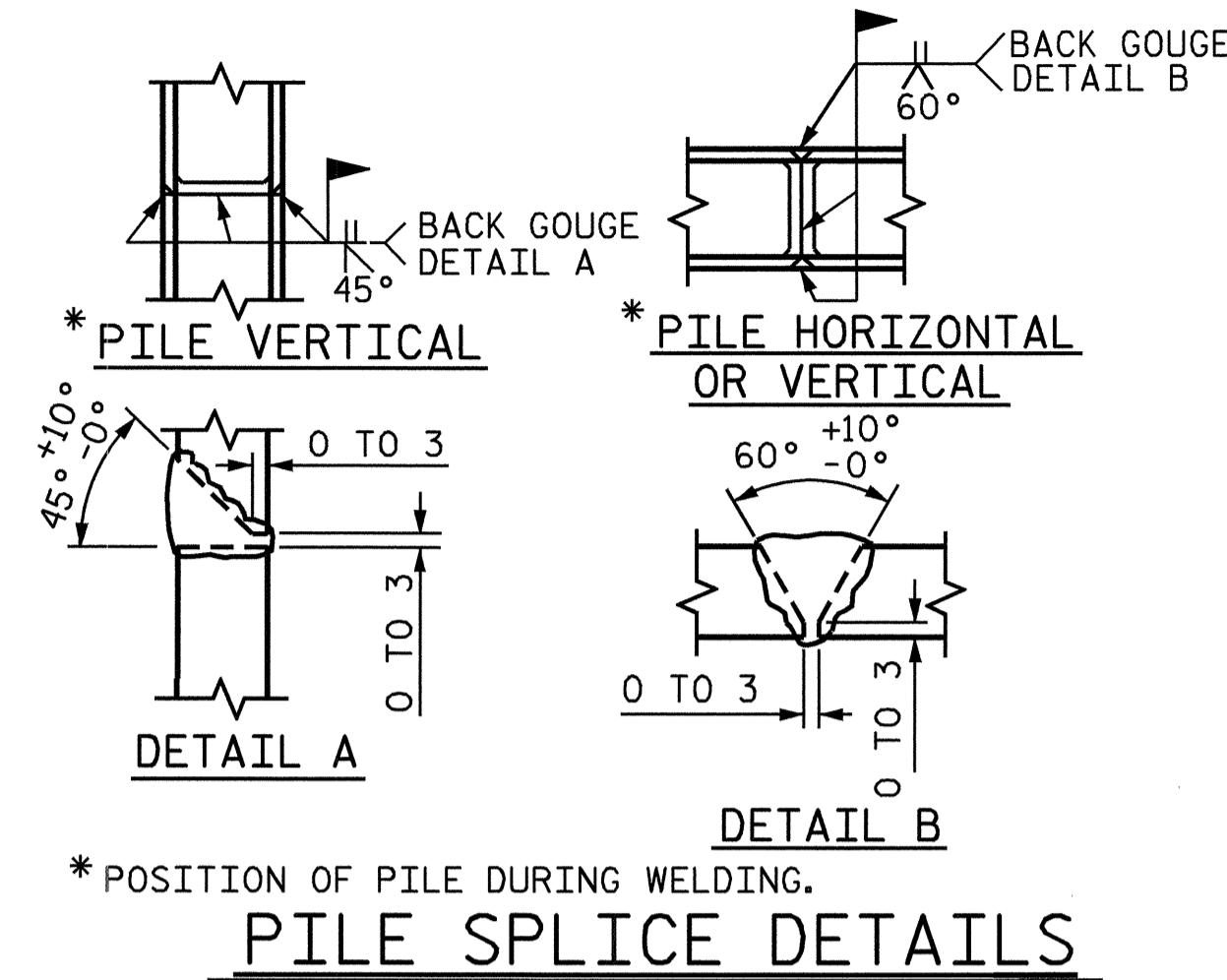


BAGGED STONE AND PIPE SHALL BE PLACED IMMEDIATELY AFTER COMPLETION OF END BENT EXCAVATION. PIPE MAY BE EITHER CONCRETE, CORRUGATED STEEL, CORRUGATED ALUMINUM ALLOY, OR CORRUGATED PLASTIC. PERFORATED PIPE WILL NOT BE ALLOWED.

BAGGED STONE SHALL REMAIN IN PLACE UNTIL THE ENGINEER DIRECTS THAT IT BE REMOVED. THE CONTRACTOR SHALL REMOVE AND DISPOSE OF SILT ACCUMULATIONS AT BAGGED STONE WHEN SO DIRECTED BY THE ENGINEER. BAGS SHALL BE REMOVED AND REPLACED WHENEVER THE ENGINEER DETERMINES THAT THEY HAVE DETERIORATED AND LOST THEIR EFFECTIVENESS.

NO SEPARATE PAYMENT WILL BE MADE FOR THIS WORK AND THE ENTIRE COST OF THIS WORK SHALL BE INCLUDED IN THE UNIT CONTRACT PRICE BID FOR THE SEVERAL PAY ITEMS.

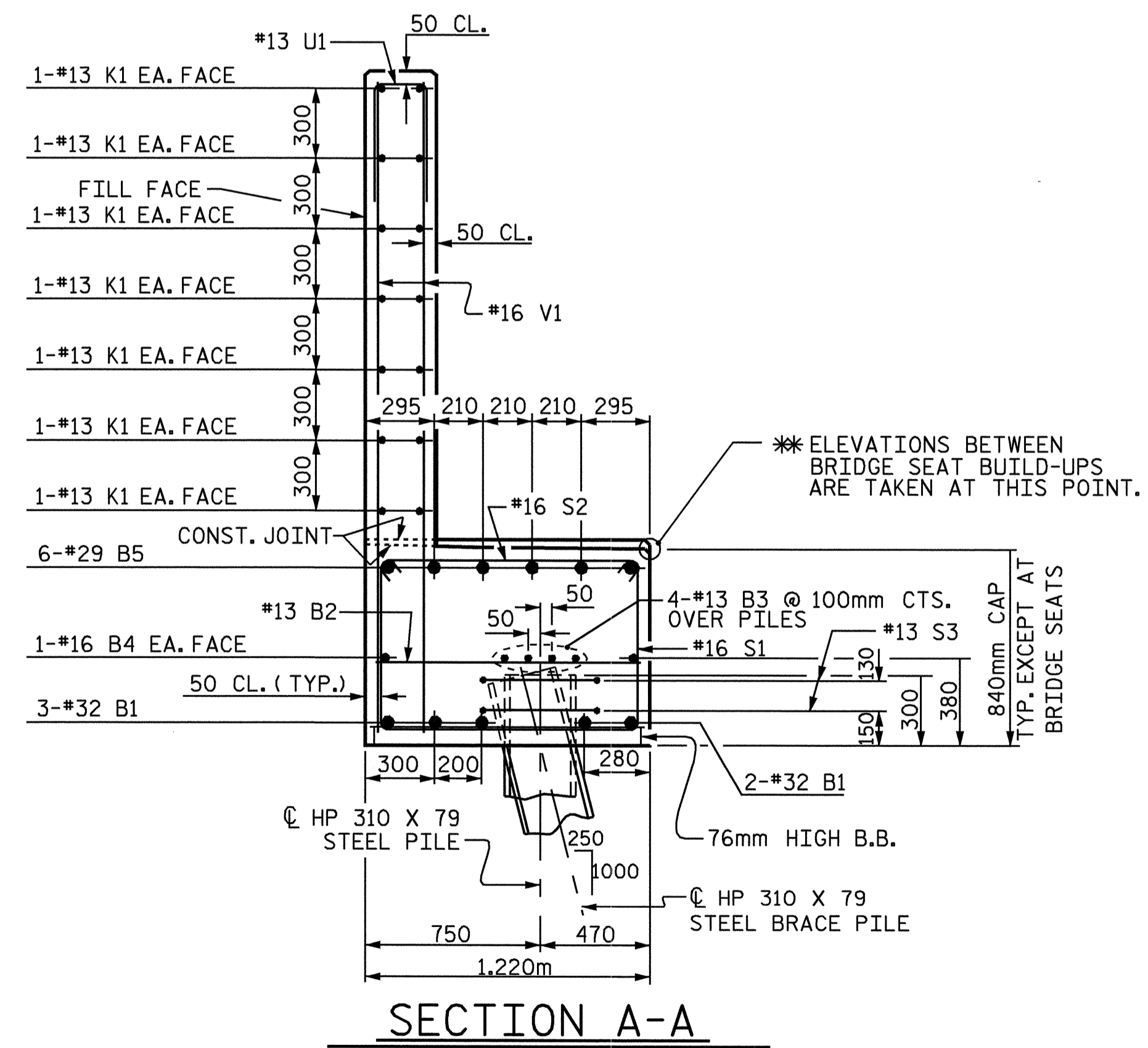
### TEMPORARY DRAINAGE AT END BENT



### BILL OF MATERIAL

#### END BENT 2

BAR	NO.	SIZE	TYPE	LENGTH	WEIGHT
B1	10	#32	1	12560	804
B2	18	#13	STR	1120	20
B3	12	#13	STR	7780	93
B4	4	#16	STR	11380	71
B5	12	#29	1	12640	768
H1	4	#13	STR	1200	5
H2	11	#13	3	4620	51
H3	11	#13	3	4420	48
H4	11	#16	2	2740	47
H5	11	#13	2	2920	32
K1	42	#13	STR	7780	325
S1	78	#16	4	2860	346
S2	78	#16	5	1400	169
S3	26	#13	6	1980	51
S4	3	#19	8	1160	8
S5	1	#19	9	2720	6
U1	64	#13	7	1120	71
V1	128	#16	STR	2740	544
V2	38	#16	STR	3160	186
V3	26	#16	STR	3040	123
REINFORCING STEEL				kg	3768
CLASS A CONCRETE BREAKDOWN					
POUR #1 (CAP & WINGS)				C.M.	24.8
POUR #2 (BACKWALL & WINGS)				C.M.	18.2
TOTAL				C.M.	43.0
HP 310 x 79 STEEL PILES				NO. 14	METERS 126.0



ALL BAR DIMENSIONS ARE OUT TO OUT.

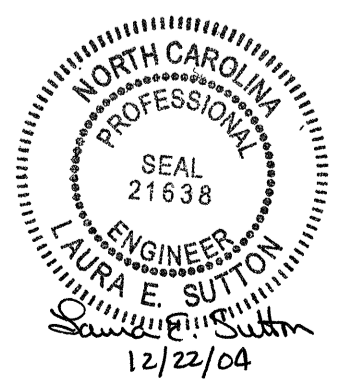
PROJECT NO. R-0977A  
 CHEROKEE COUNTY  
 STATION: 18+31.299-LC1B2-

SHEET 3 OF 3

STATE OF NORTH CAROLINA  
 DEPARTMENT OF TRANSPORTATION  
 RALEIGH

### SUBSTRUCTURE

### END BENT 2



REVISIONS						SHEET NO.
NO.	BY:	DATE:	NO.	BY:	DATE:	S-71
1			3			TOTAL SHEETS 230
2			4			

DRAWN BY: A.S. CALLAWAY DATE: 6/21/04  
 CHECKED BY: J.P. ADAMS DATE: 9/23/04