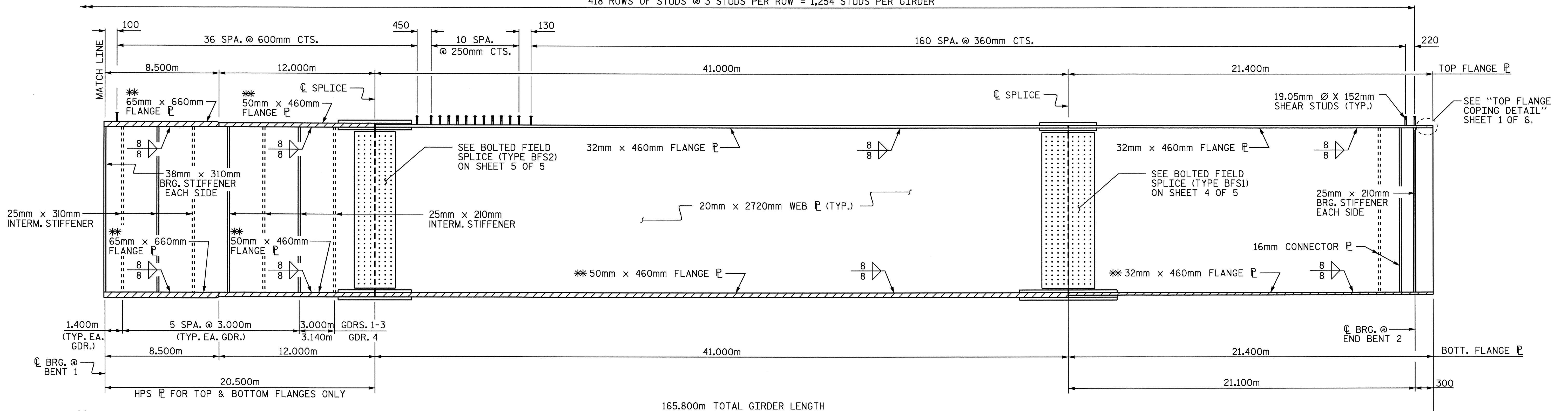
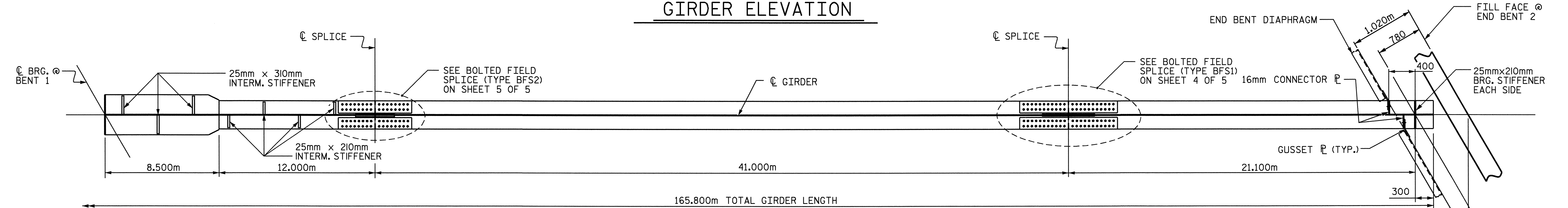


418 ROWS OF STUDS @ 3 STUDS PER ROW = 1,254 STUDS PER GIRDER



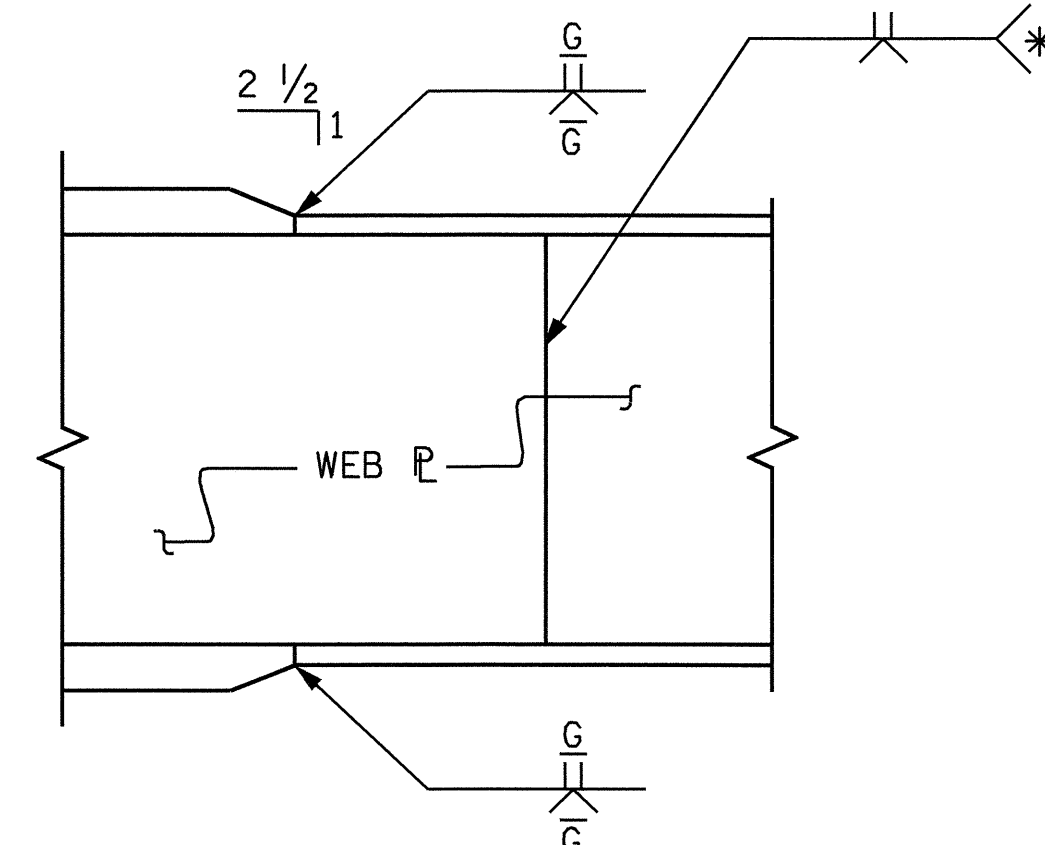
GIRDER ELEVATION



BOTTOM FLANGE DETAIL

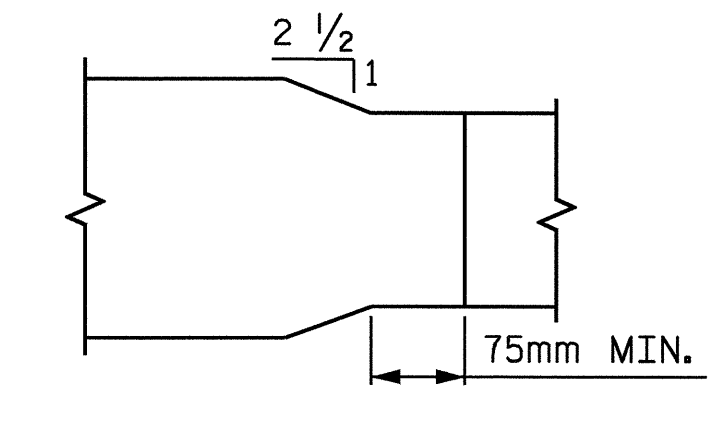
INTERIOR GIRDER SHOWN, EXTERIOR GIRDER SIMILAR, EXCEPT NO CONNECTOR PLATE SHALL BE PLACED ON THE OUTSIDE OF THE WEB.

NOTE:
 ** USE GRADE HPS 485W STEEL FOR FLANGES AS SHOWN IN GIRDER ELEVATION.
 FOR ALL OTHER PARTS OF GIRDER, USE AASHTO M270 GRADE 345W.



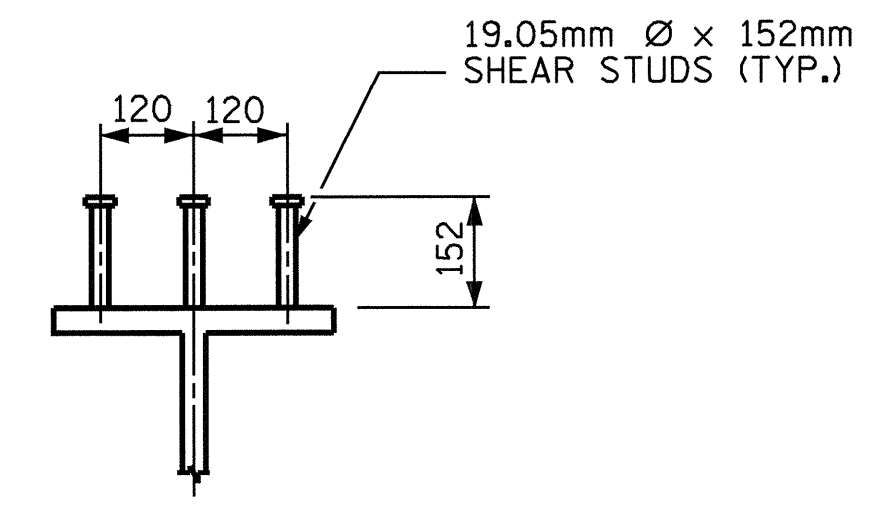
ELEVATION

TYPICAL FLANGE AND WEB BUTT JOINT



PLAN - FLANGE SPLICE

* GRIND SMOOTH AND FLUSH ON OUTER FACE OF EXTERIOR GIRDERS



SHEAR STUD DETAILS
 FOR 460mm & 680mm FLANGES

Ting H. Fang
 SEAL 16301
 1/11/2005

PROJECT NO. R-0977A
CHEROKEE COUNTY
 STATION: 24+60.500 -LC1B-

SHEET 2 OF 6

| | | | | | | |
|--|-----|-------|-----|-----|-------|---------------------|
| STATE OF NORTH CAROLINA DEPARTMENT OF TRANSPORTATION RALEIGH | | | | | | SHEET NO. S-89 |
| SUPERSTRUCTURE STRUCTURAL STEEL DETAILS SPAN B | | | | | | |
| REVISIONS | | | | | | TOTAL SHEETS 230 |
| NO. | BY: | DATE: | NO. | BY: | DATE: | |
| 1 | | | 3 | | | |
| 2 | | | 4 | | | |

DRAWN BY : T.H. FANG/MAA DATE : 6-04
 CHECKED BY : B.N. BARODAWALA DATE : 8-10-04

11-JAN-2005 15:08
 W:\SquadL\0977a\str3\mallen\R0977A.sd.ss.03.dgn
 Isutton

STR. #3