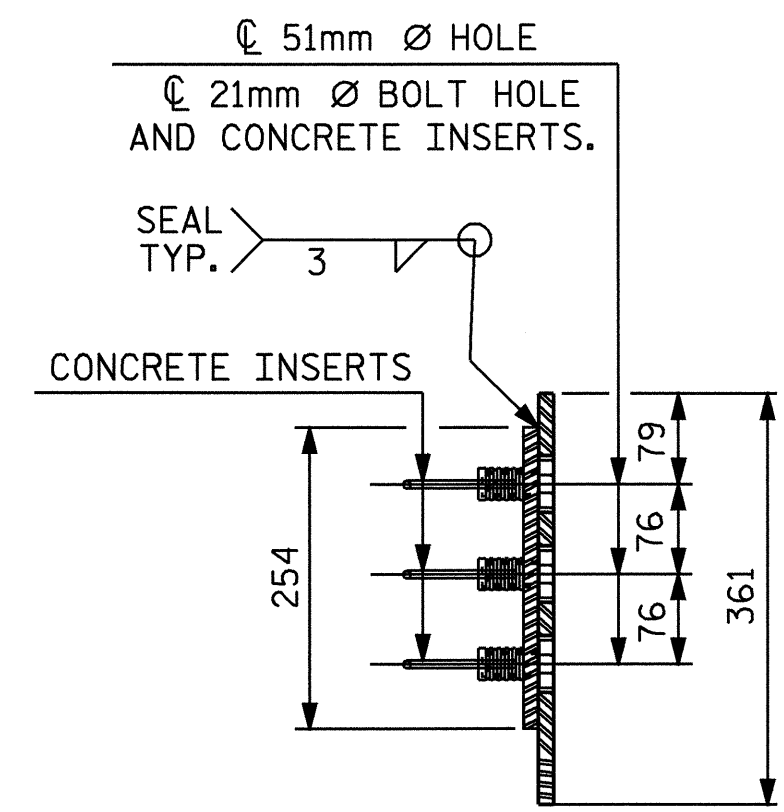
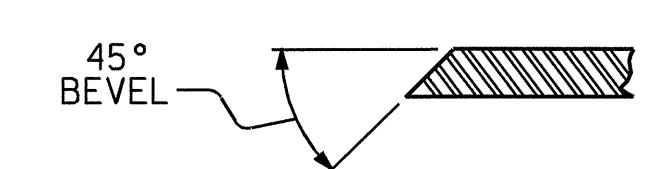


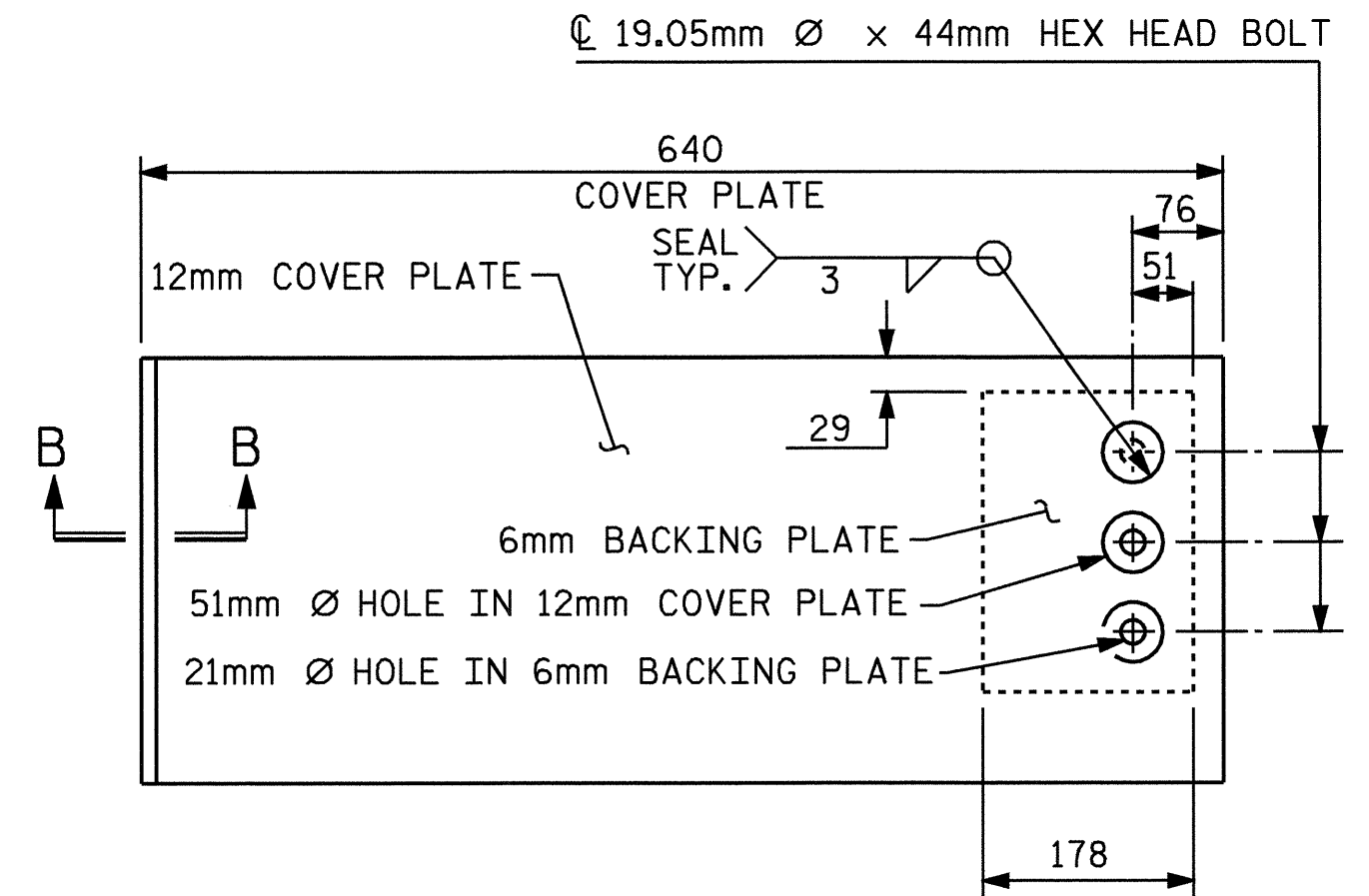
SECTION THRU RAIL NORMAL TO JOINT



END VIEW

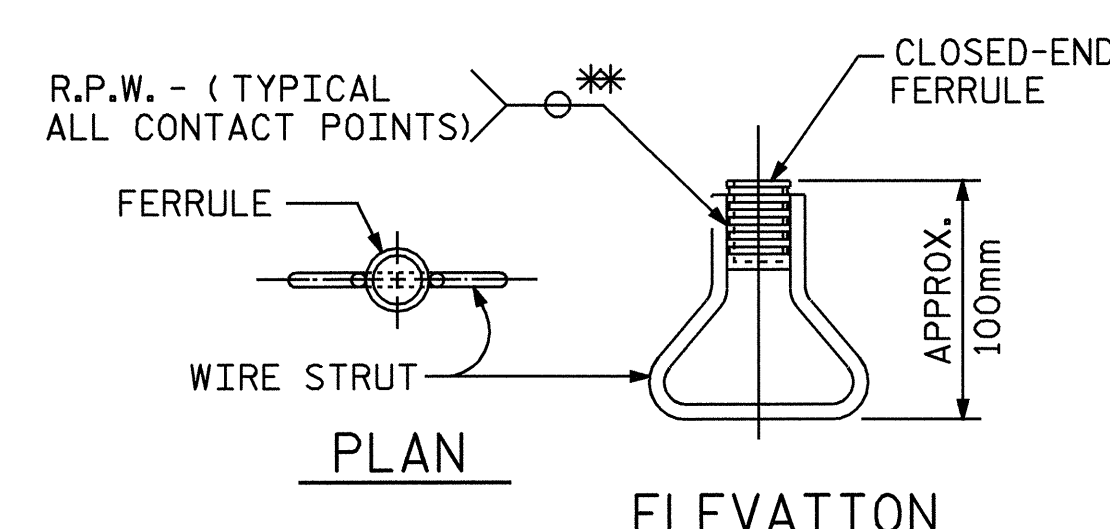


SECTION B - B



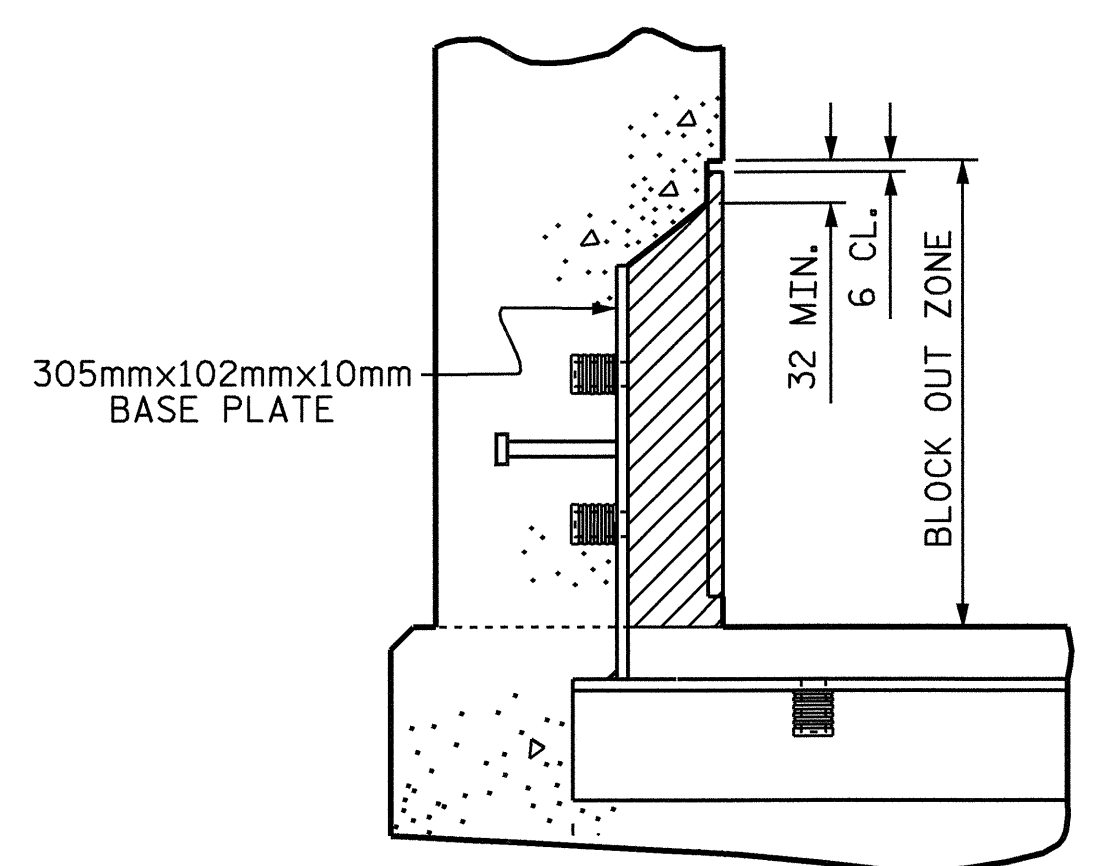
TYPE II - ELEVATION VIEW

COVER PLATE DETAILS



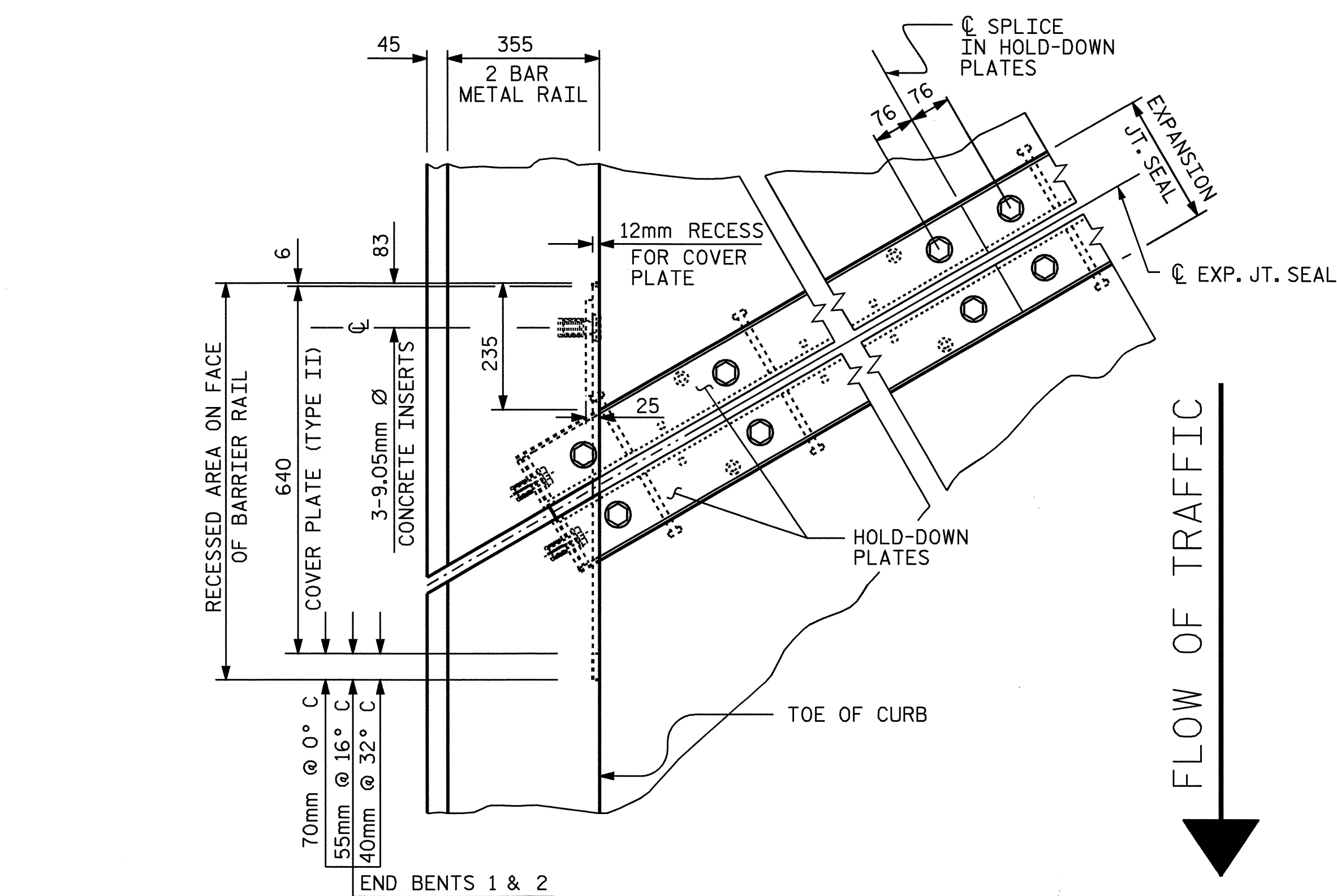
CONCRETE INSERT

*EACH WELDED ATTACHMENT OF WIRE TO FERRULE SHALL DEVELOP THE TENSILE STRENGTH OF THE WIRE

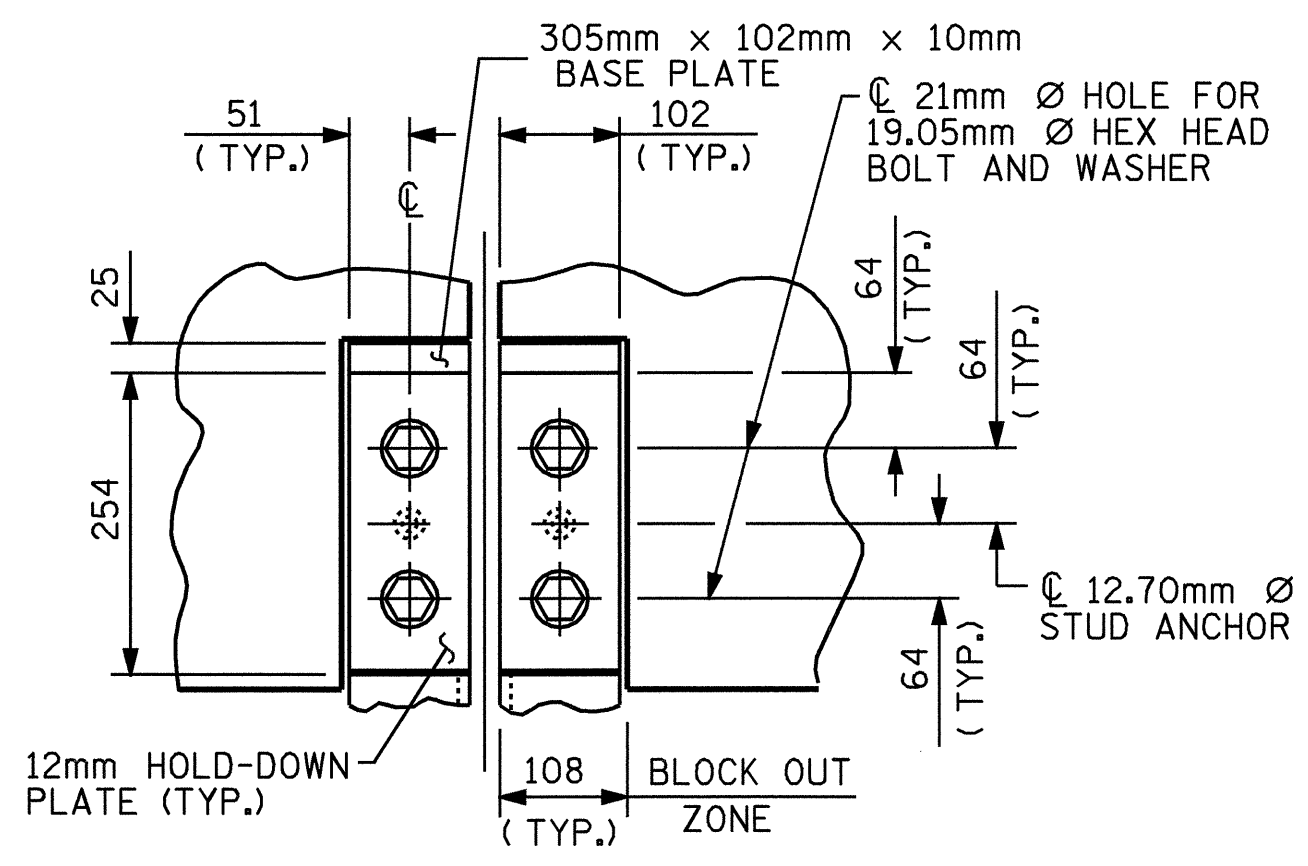


BLOCK OUT DETAIL

SEE "SECTION A - A" FOR OTHER DETAILS.



PLAN OF EXPANSION JOINT SEAL - LEFT SIDE



SECTION A - A

PROJECT NO. R-0977A
CHEROKEE COUNTY
 STATION: 24+60.500-LC1B-

SHEET 2 OF 3

STATE OF NORTH CAROLINA
 DEPARTMENT OF TRANSPORTATION
 RALEIGH

EXPANSION JOINT SEAL DETAILS FOR CONCRETE PARAPET

REVISIONS						SHEET NO.
NO.	BY:	DATE:	NO.	BY:	DATE:	S-106
1			3			TOTAL SHEETS
2			4			230



DRAWN BY: B.N.BARODAWALA DATE: 8-10-04
 CHECKED BY: MIKE ALLEN DATE: 8-04