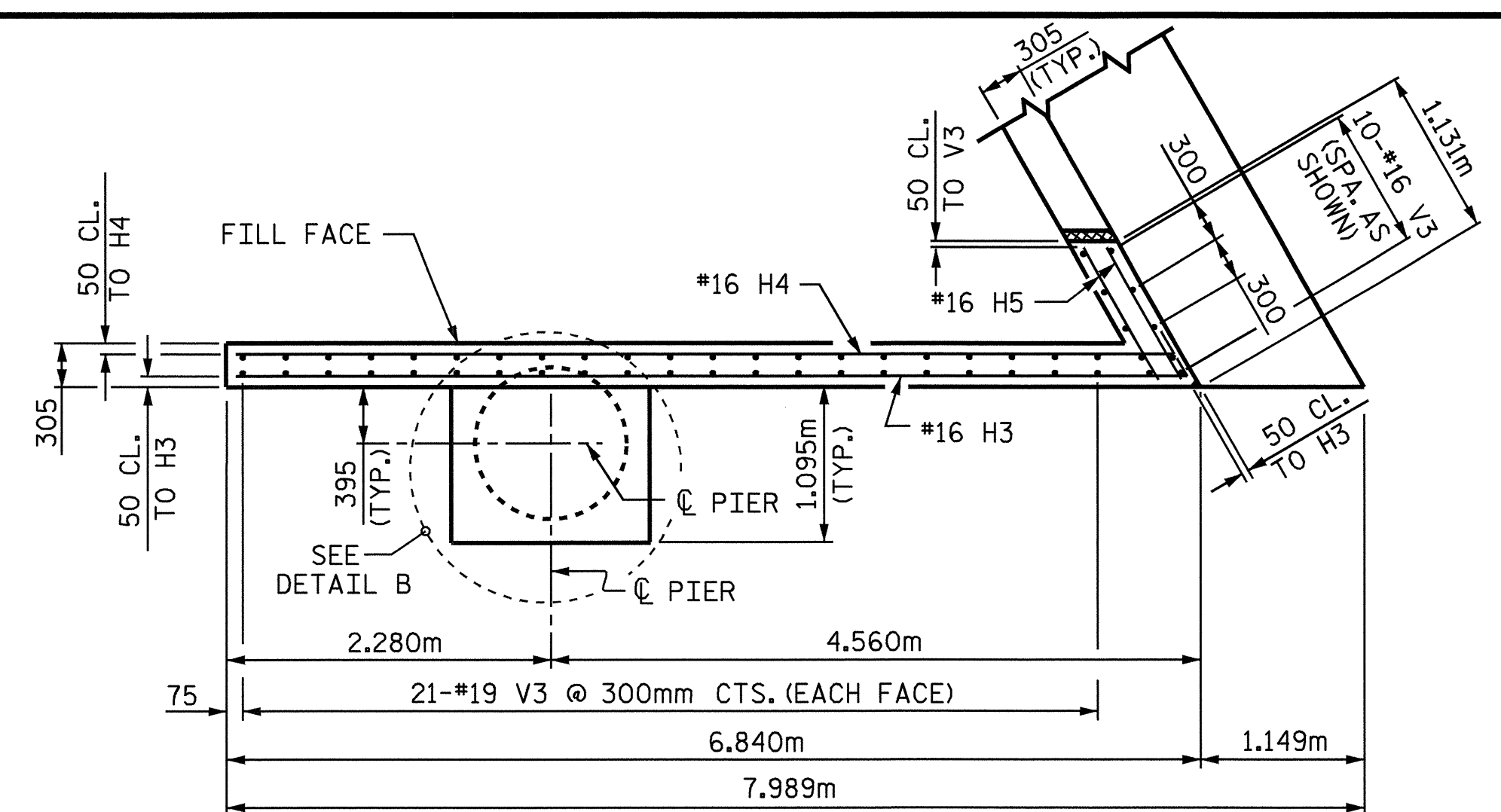
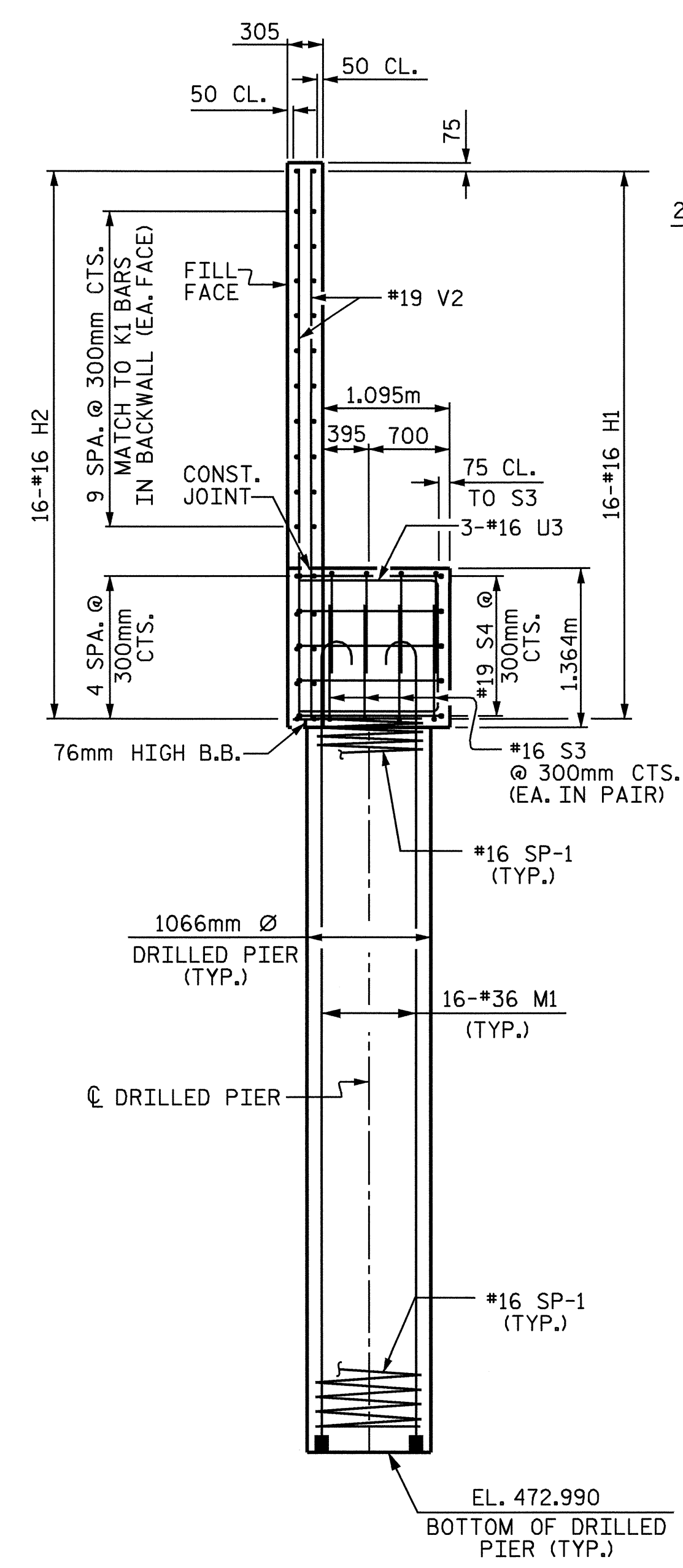


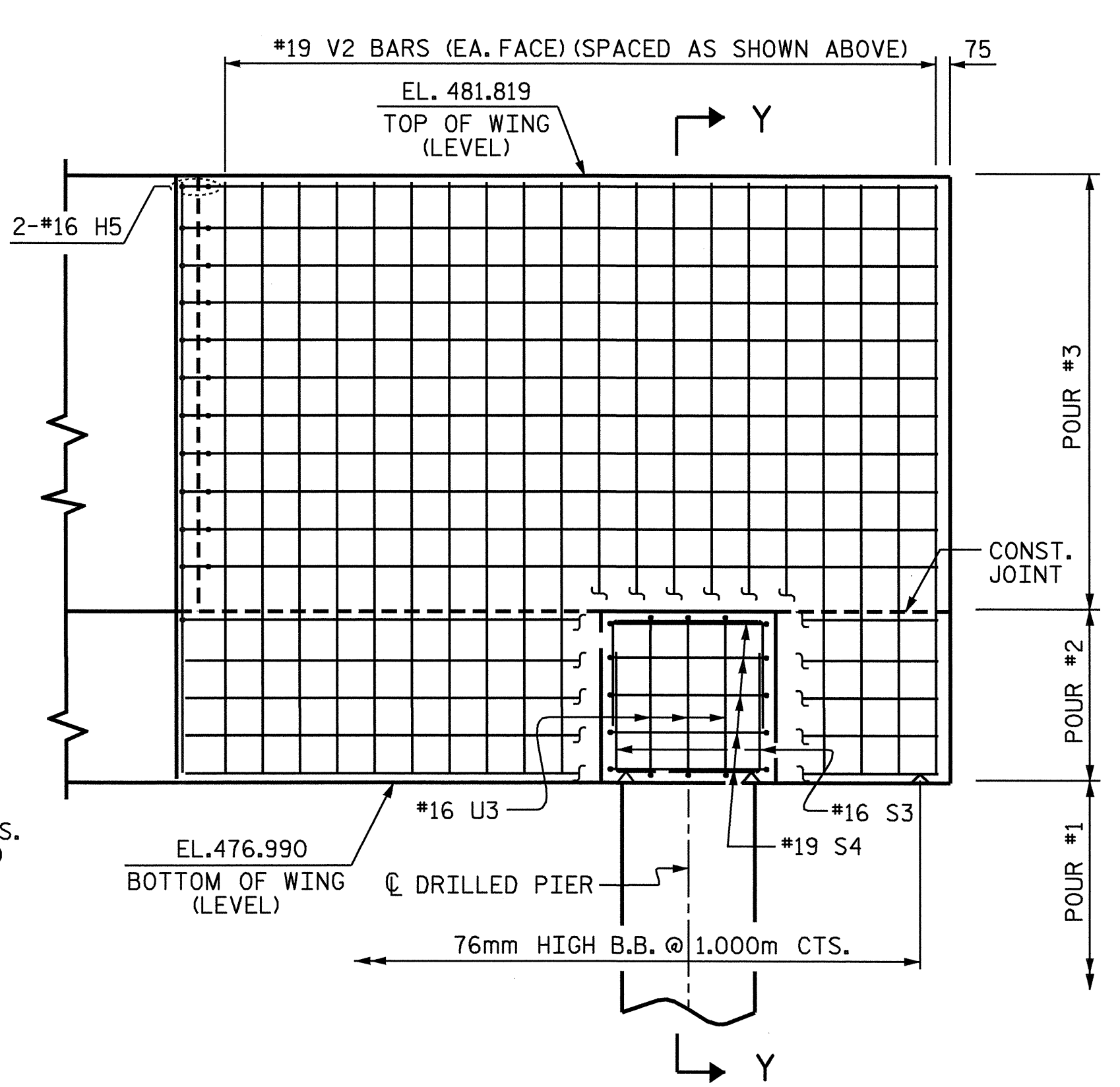
PLAN OF WING - W1



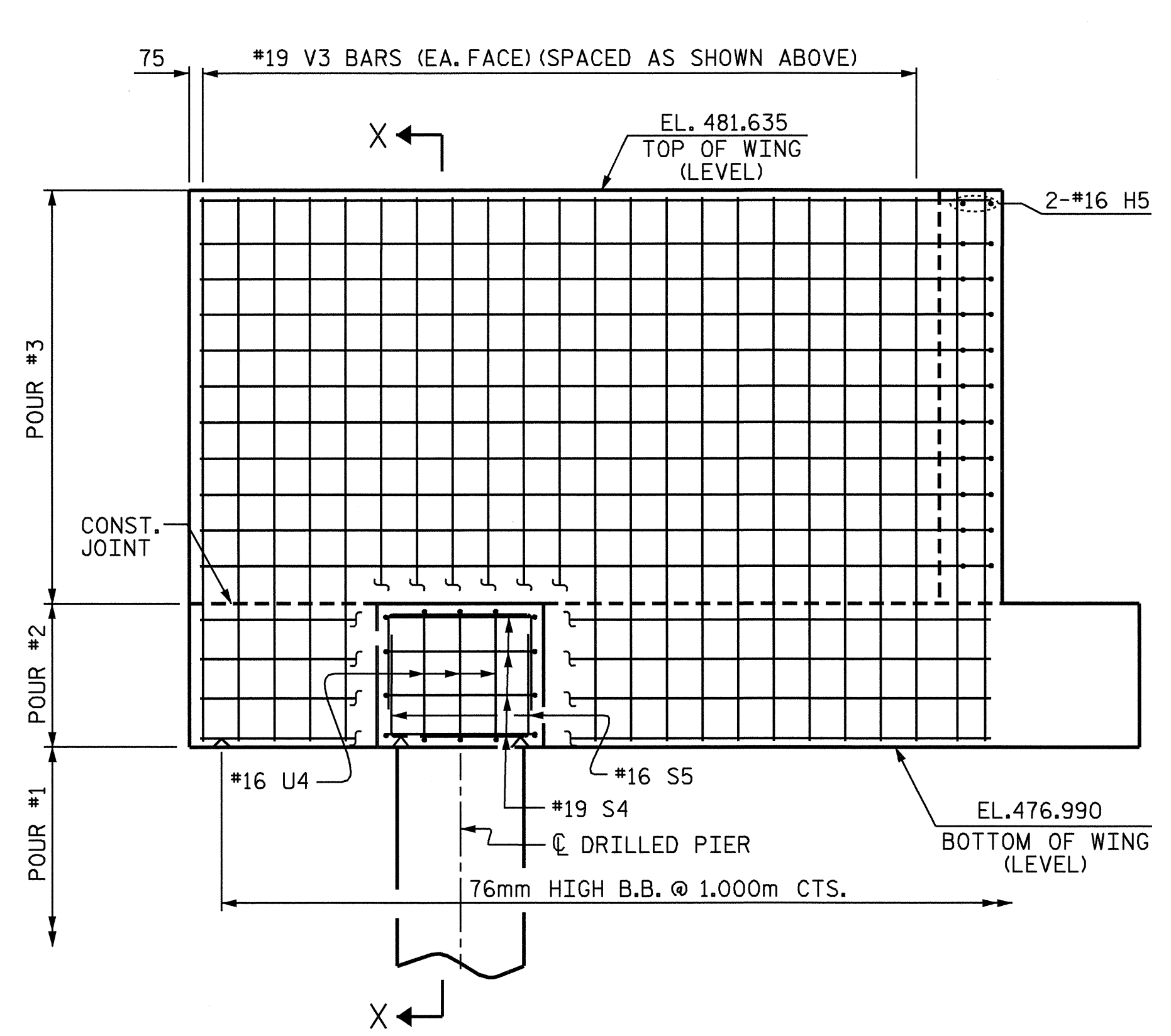
PLAN OF WING - W2



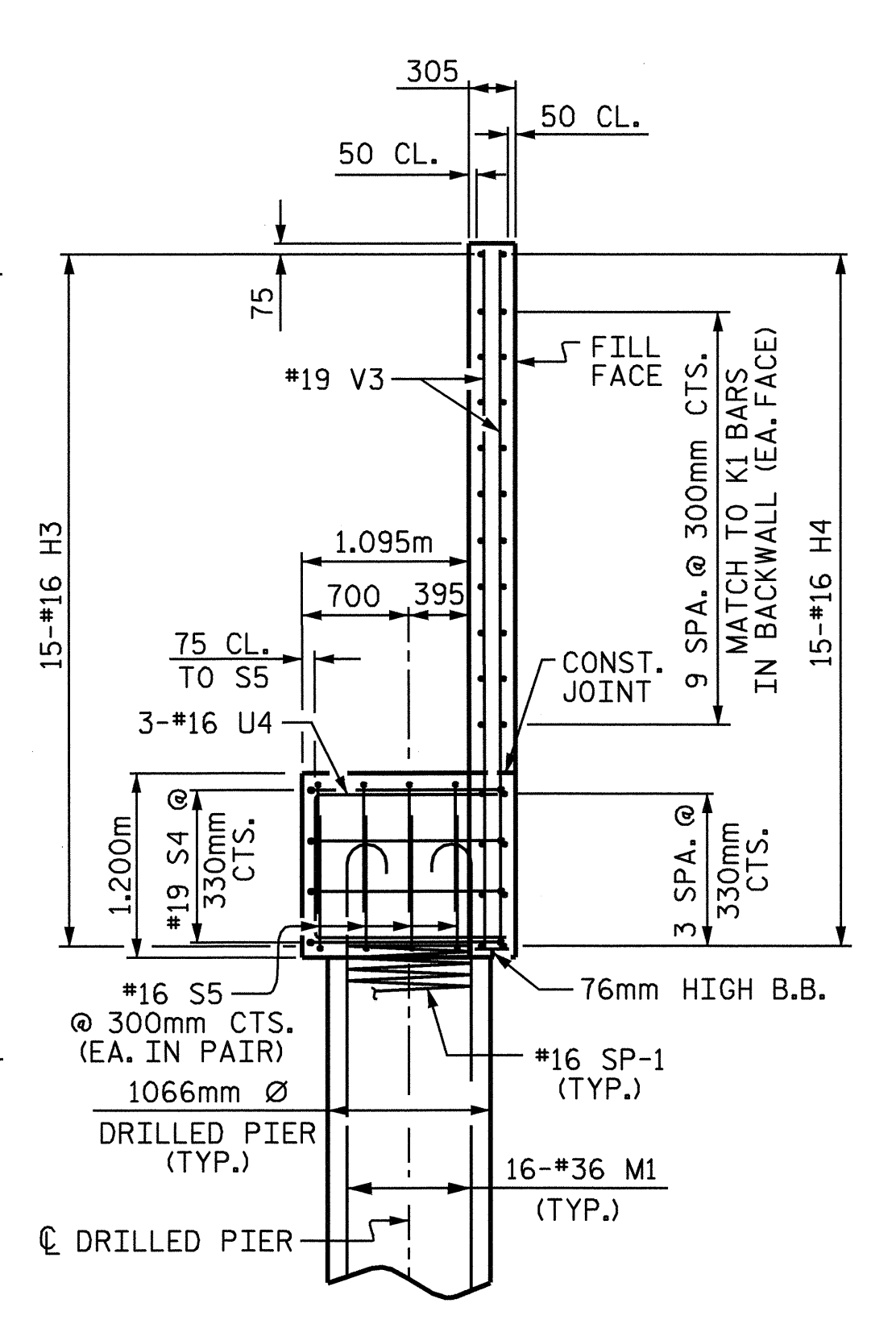
SECTION Y-Y



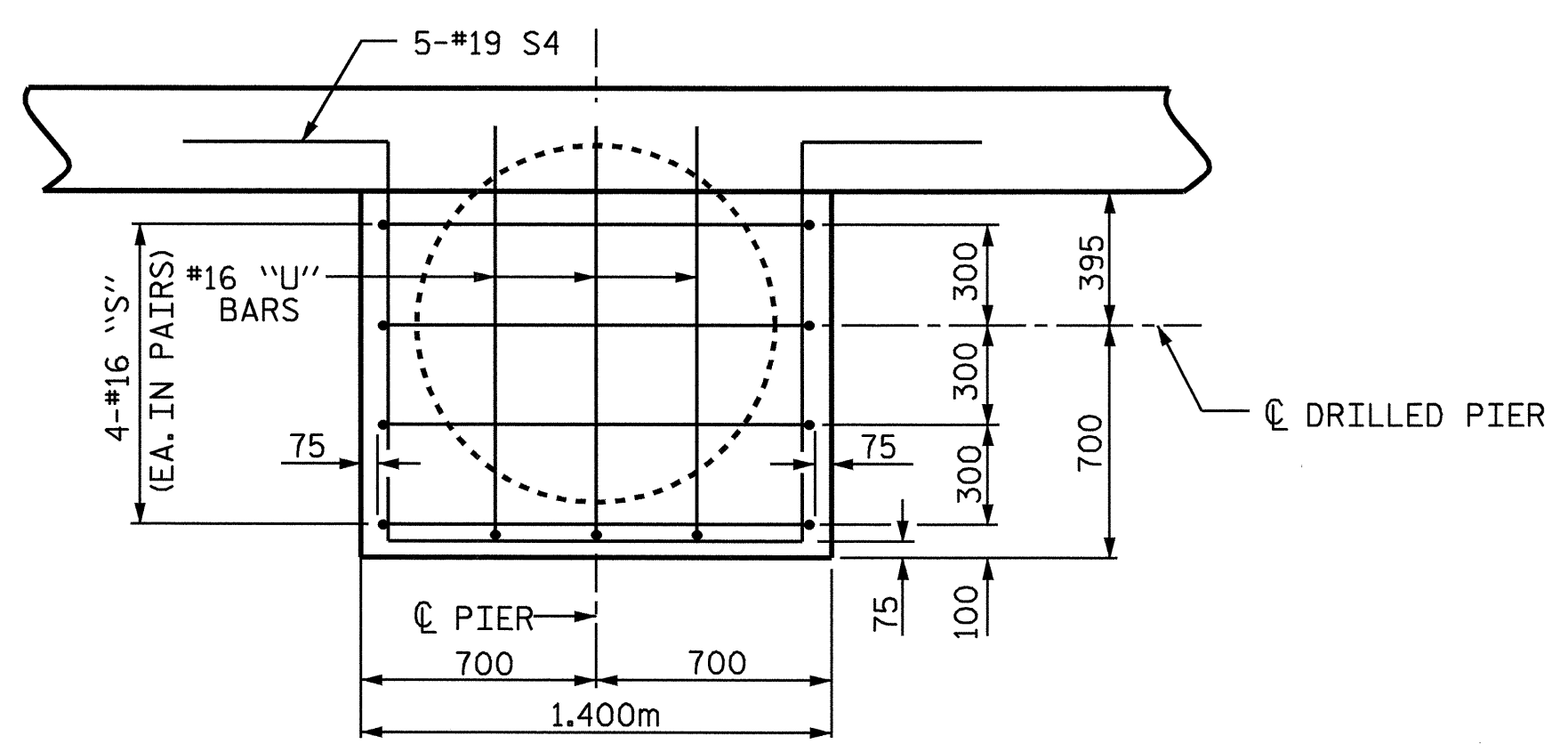
ELEVATION OF WING - W1



ELEVATION OF WING - W2



SECTION Y-Y

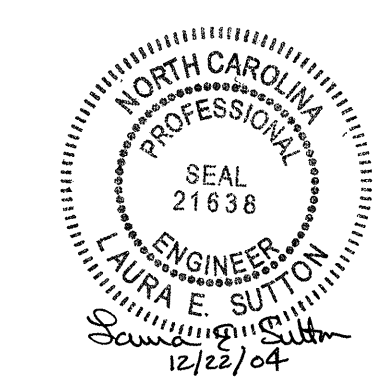


DETAIL B

PROJECT NO. R-0977A  
 CHEROKEE COUNTY  
 STATION: 24+60.500-LC1B-

SHEET 2 OF 3

STATE OF NORTH CAROLINA DEPARTMENT OF TRANSPORTATION RALEIGH					
SUBSTRUCTURE END BENT #1					
REVISIONS					
NO.	BY:	DATE:	NO.	BY:	DATE:
1			3		
2			4		
SHEET NO.					S-110
TOTAL SHEETS					230



DRAWN BY: B.N.BARODAWALA DATE: 10-27-04  
 CHECKED BY: J.D.HAWK DATE: 11-16-04