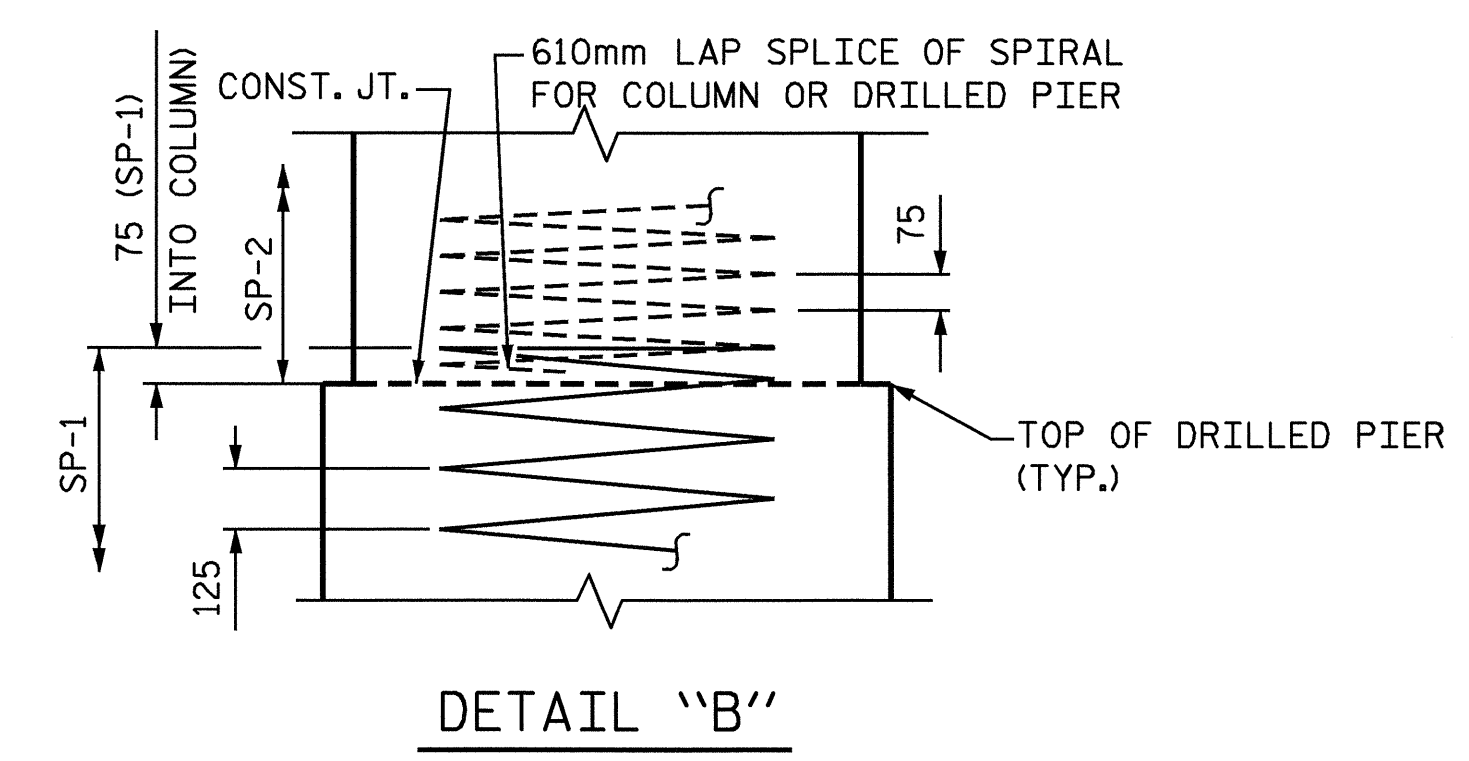


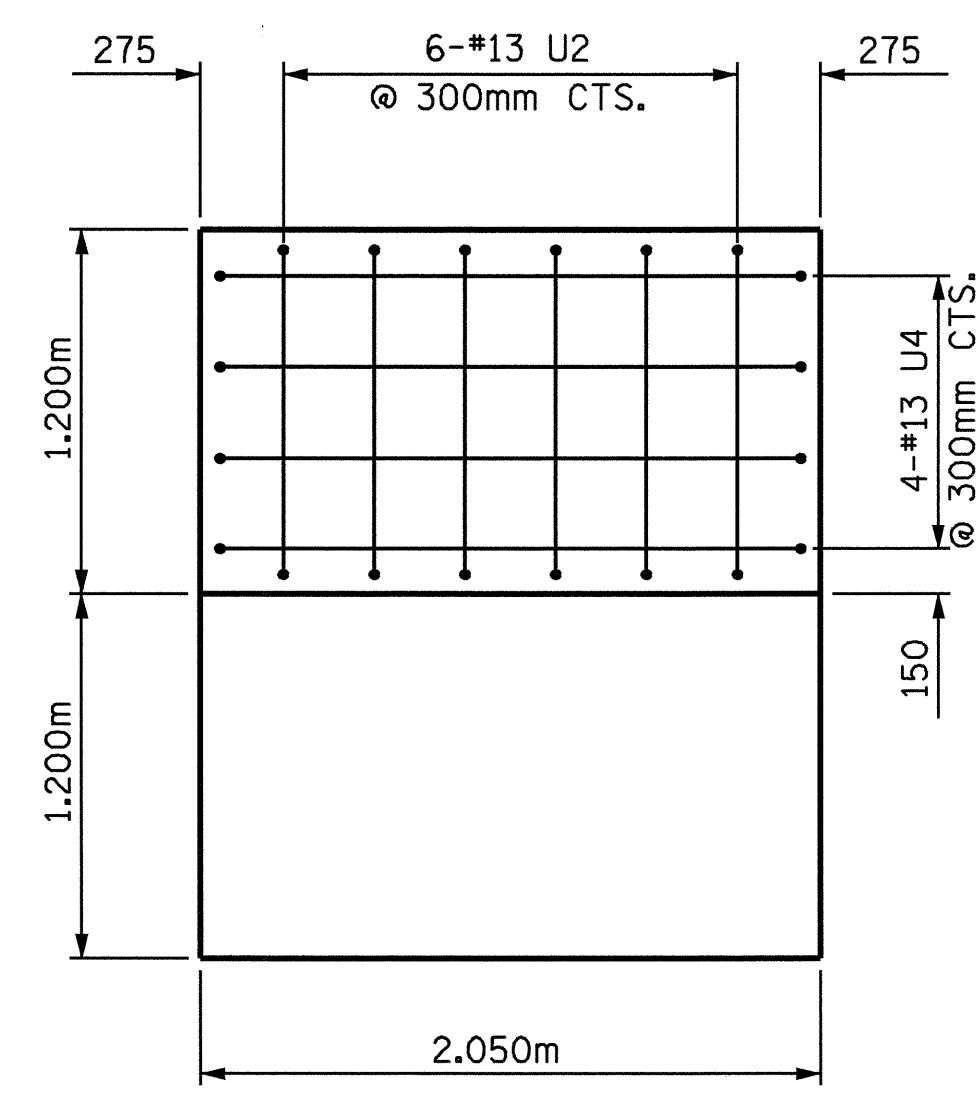
PLAN OF DRILLED PIERS

PLAN OF COLUMNS

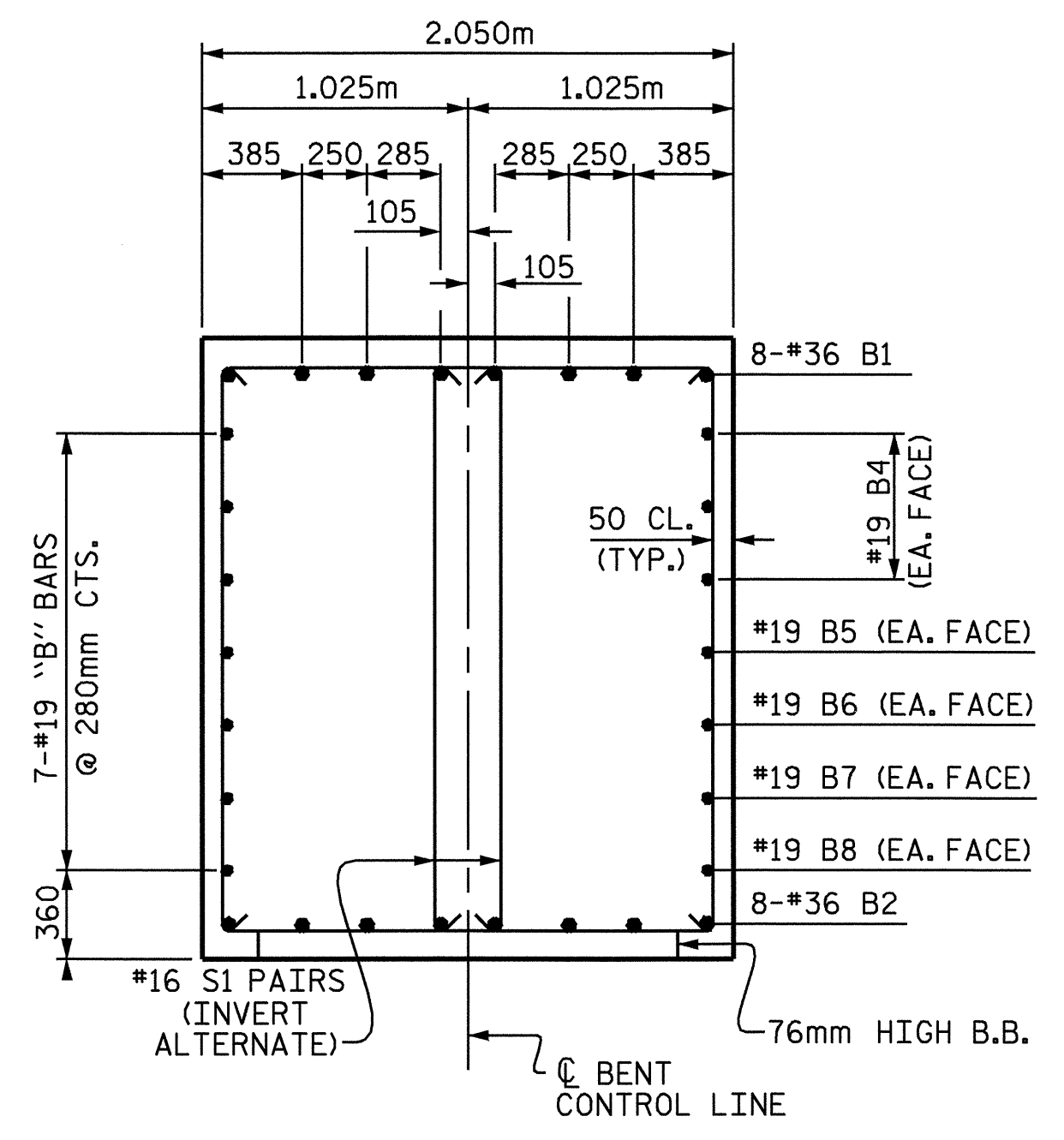
PLAN OF COLUMNS & DRILLED PIERS



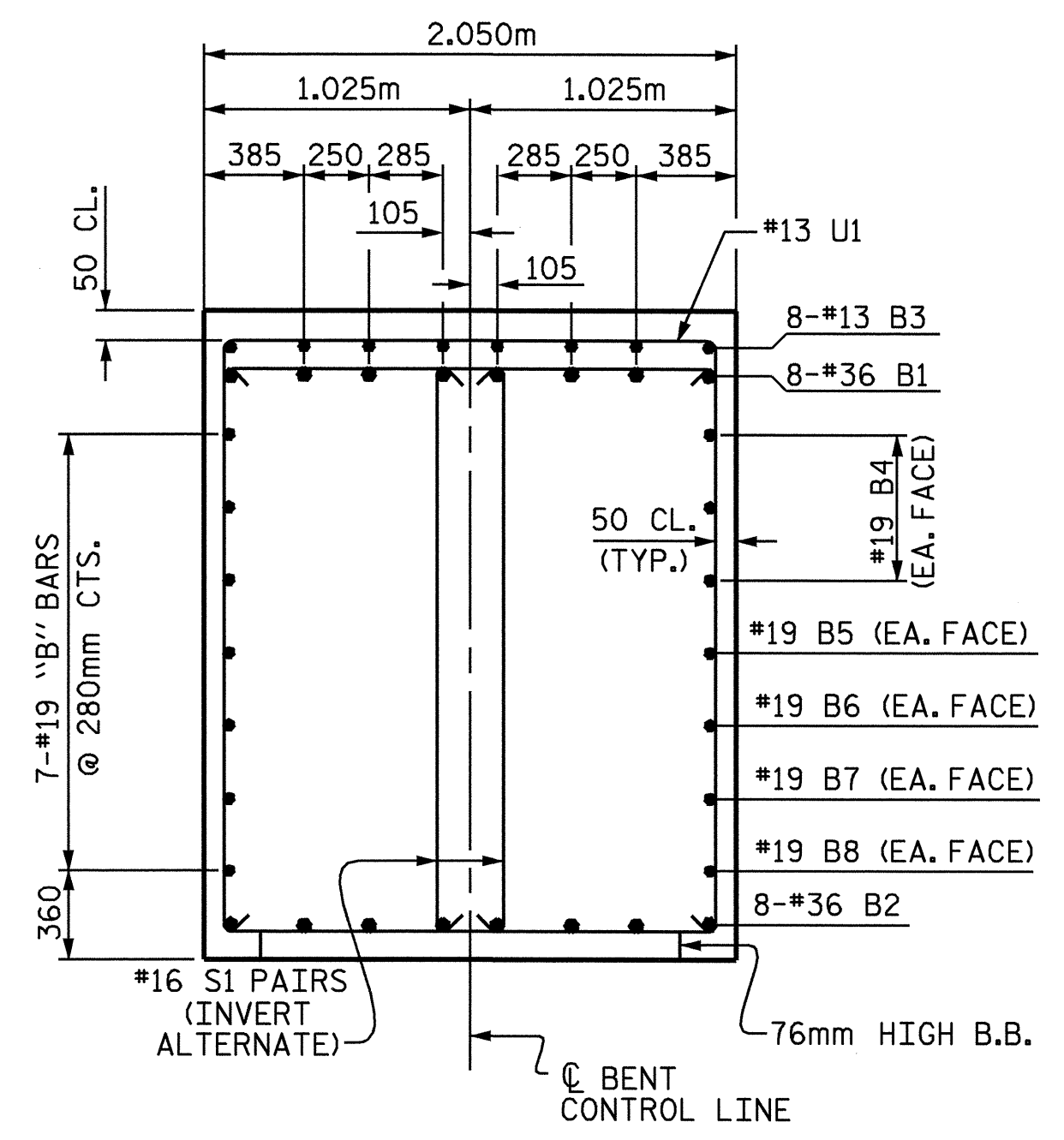
DETAIL "B"



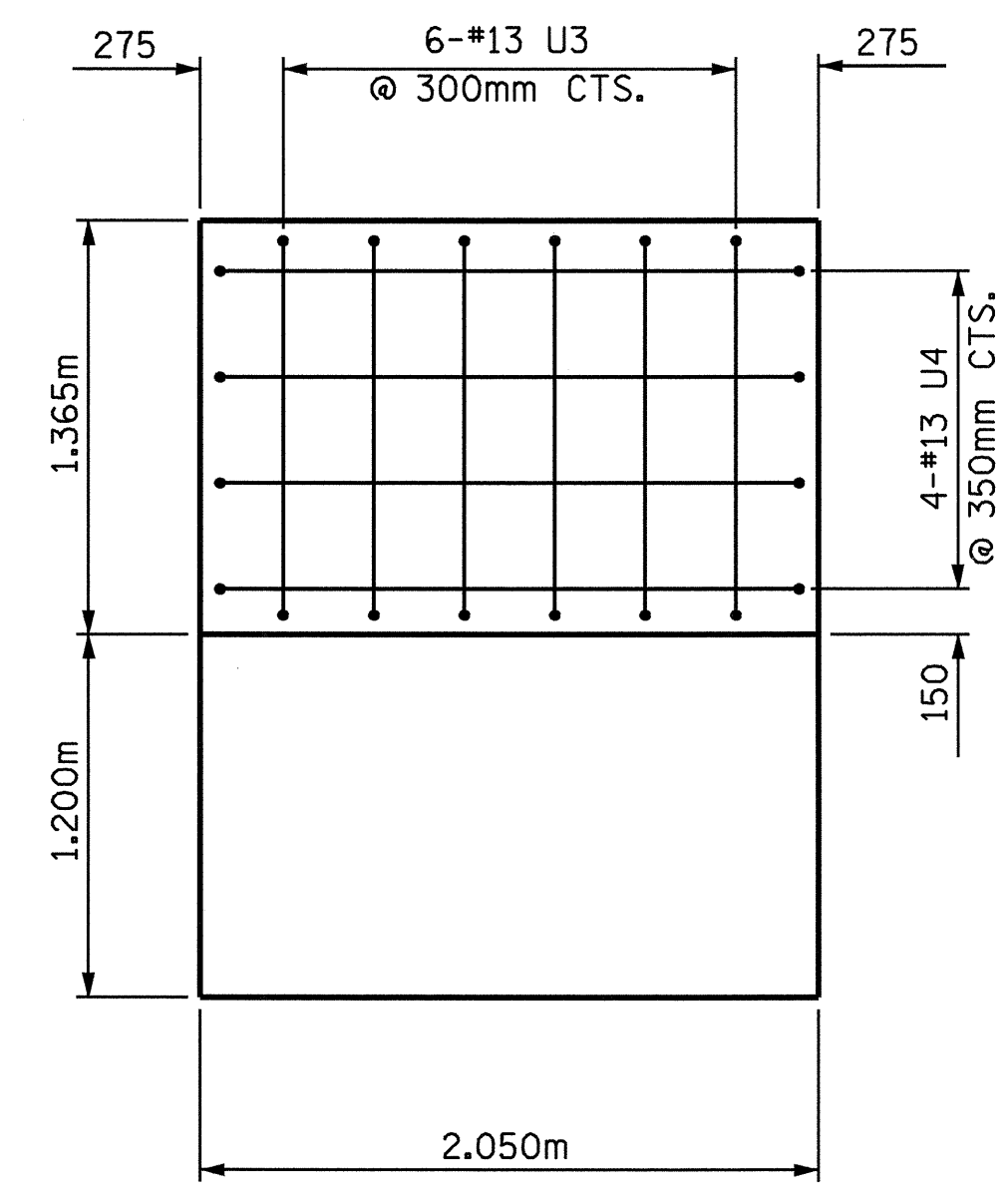
VIEW X-X



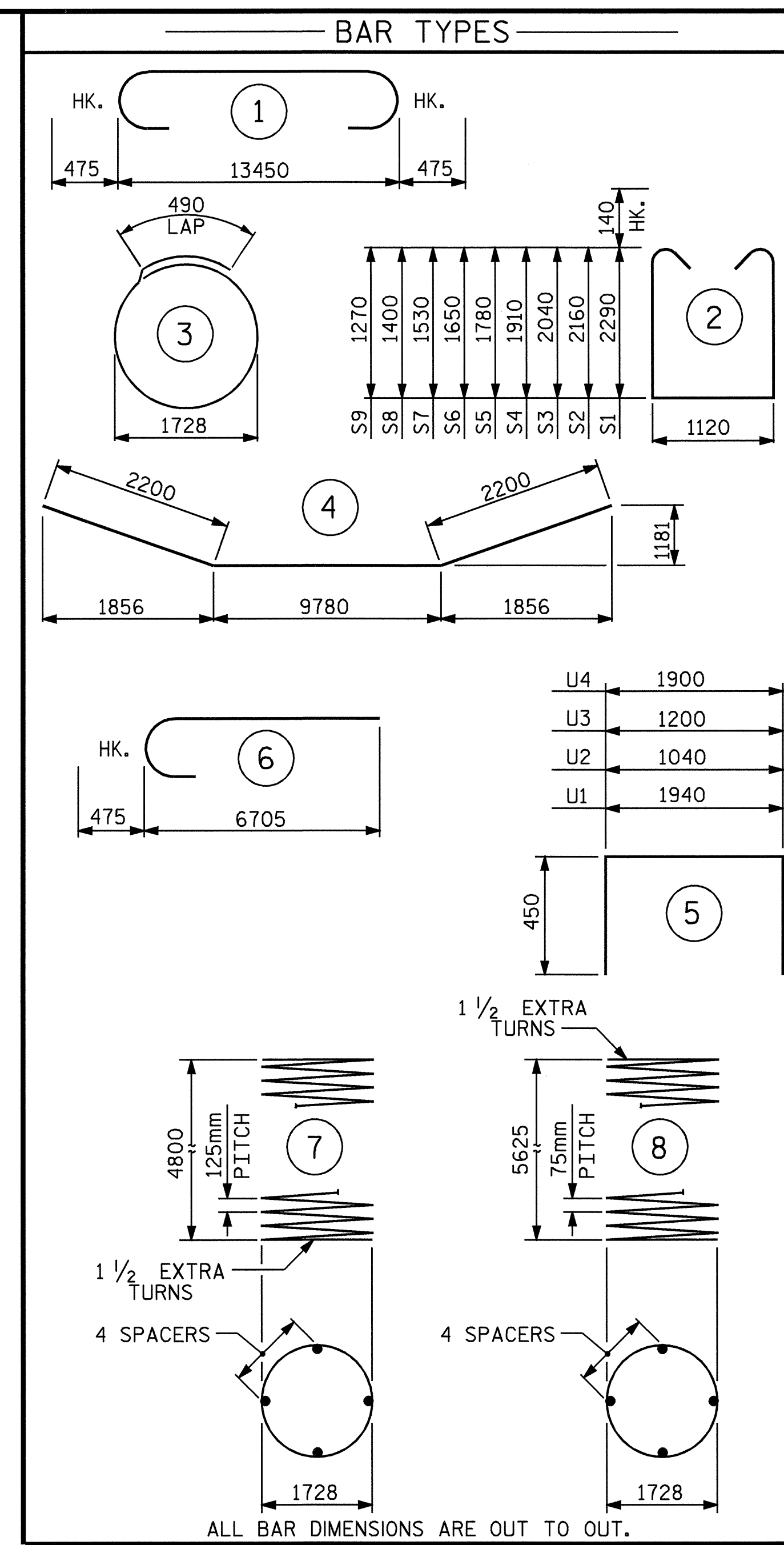
SECTION A-A



SECTION B-B



VIEW Y-Y



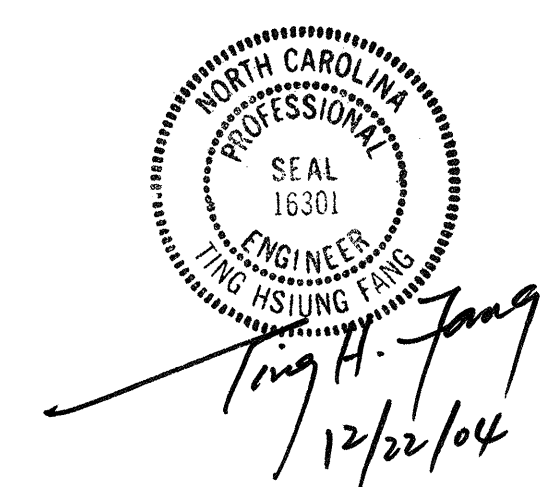
ALL BAR DIMENSIONS ARE OUT TO OUT.

\* THE "SP" SPIRAL REINFORCING STEEL SHALL BE W31 OR D-31 COLD DRAWN WIRE OR #16 PLAIN OR DEFORMED BAR.

BILL OF MATERIAL					
BENT 1					
BAR	NO.	SIZE	TYPE	LENGTH	WEIGHT
B1	8	36	1	14400	911
B2	8	36	4	14180	897
B3	8	13	STR	5740	46
B4	6	19	STR	13500	181
B5	2	19	STR	13400	60
B6	2	19	STR	12520	56
B7	2	19	STR	11640	52
B8	2	19	STR	10760	48
M1	64	36	STR	8080	4089
S1	76	16	2	5980	705
S2	4	16	2	5720	36
S3	4	16	2	5480	34
S4	4	16	2	5220	32
S5	4	16	2	4960	31
S6	4	16	2	4700	29
S7	4	16	2	4460	28
S8	4	16	2	4200	26
S9	4	16	2	3940	24
S10	24	16	3	5920	221
U1	41	13	5	2840	116
U2	6	13	5	1940	12
U3	6	13	5	2100	13
U4	8	13	5	2800	22
V1	64	36	6	7180	3633
TOTAL REINFORCING STEEL				kg	11302
SPIRAL COLUMN REINFORCING STEEL					
SP-1	2	**	7	215180	668
SP-2	2	**	8	411520	1278
TOTAL SPIRAL COLUMN REINFORCING STEEL				kg	1946
CLASS A CONCRETE BREAKDOWN					
POUR #2 (COLUMNS)				C.M.	29.1
POUR #3 (BENT CAP)				C.M.	64.3
TOTAL				C.M.	93.4
DRILLED PIER QUANTITIES					
DRILLED PIER CONCRETE POUR #1 (DRILLED PIERS)				C.M.	30.5
1982mm Ø DRILLED PIERS IN SOIL				METERS	1.9
1982mm Ø DRILLED PIERS NOT IN SOIL				METERS	8.0
CROSSHOLE SONIC LOGGING				EA.	1
CSL TUBES				METERS	68.4

PROJECT NO. R-0977A  
 CHEROKEE COUNTY  
 STATION: 24+60.500-LC1B-

SHEET 2 OF 2



STATE OF NORTH CAROLINA  
 DEPARTMENT OF TRANSPORTATION  
 RALEIGH

SUBSTRUCTURE  
 BENT 1

REVISIONS				SHEET NO.	
NO.	BY:	DATE:	NO.	BY:	DATE:
1			3		
2			4		

TOTAL SHEETS: 230

DRAWN BY: FANG/CALLAWAY DATE: 11/3/04  
 CHECKED BY: J.D. HAWK DATE: 11/29/04