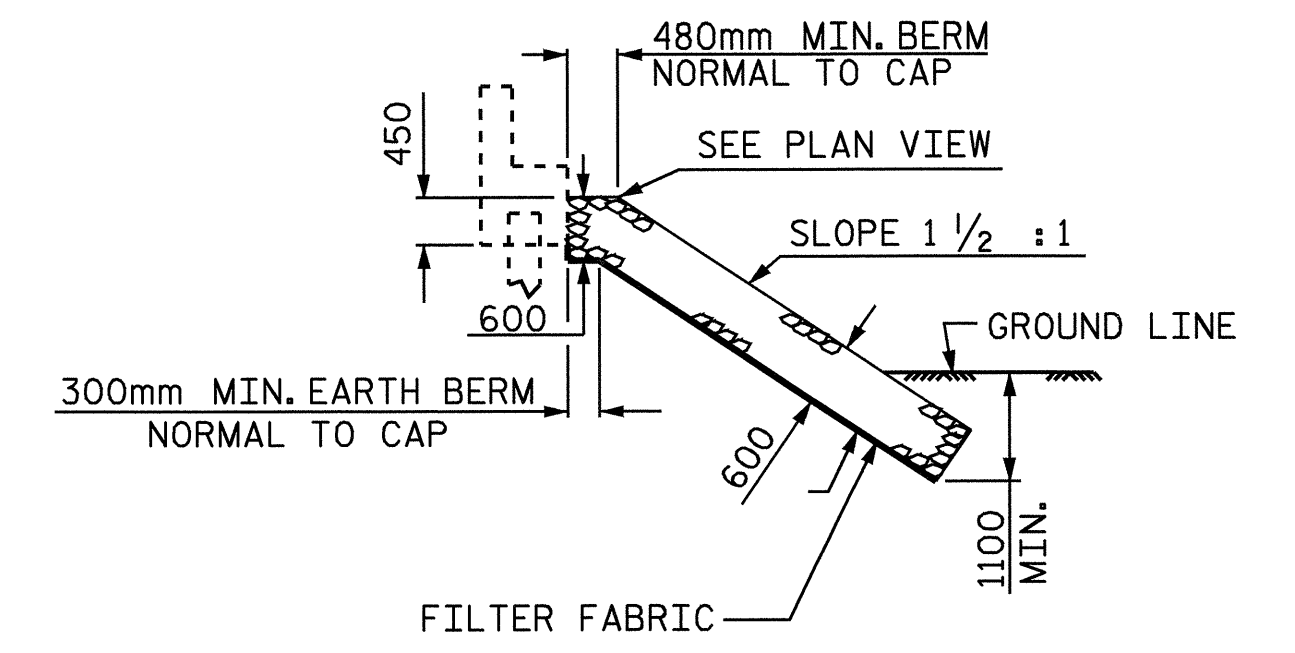


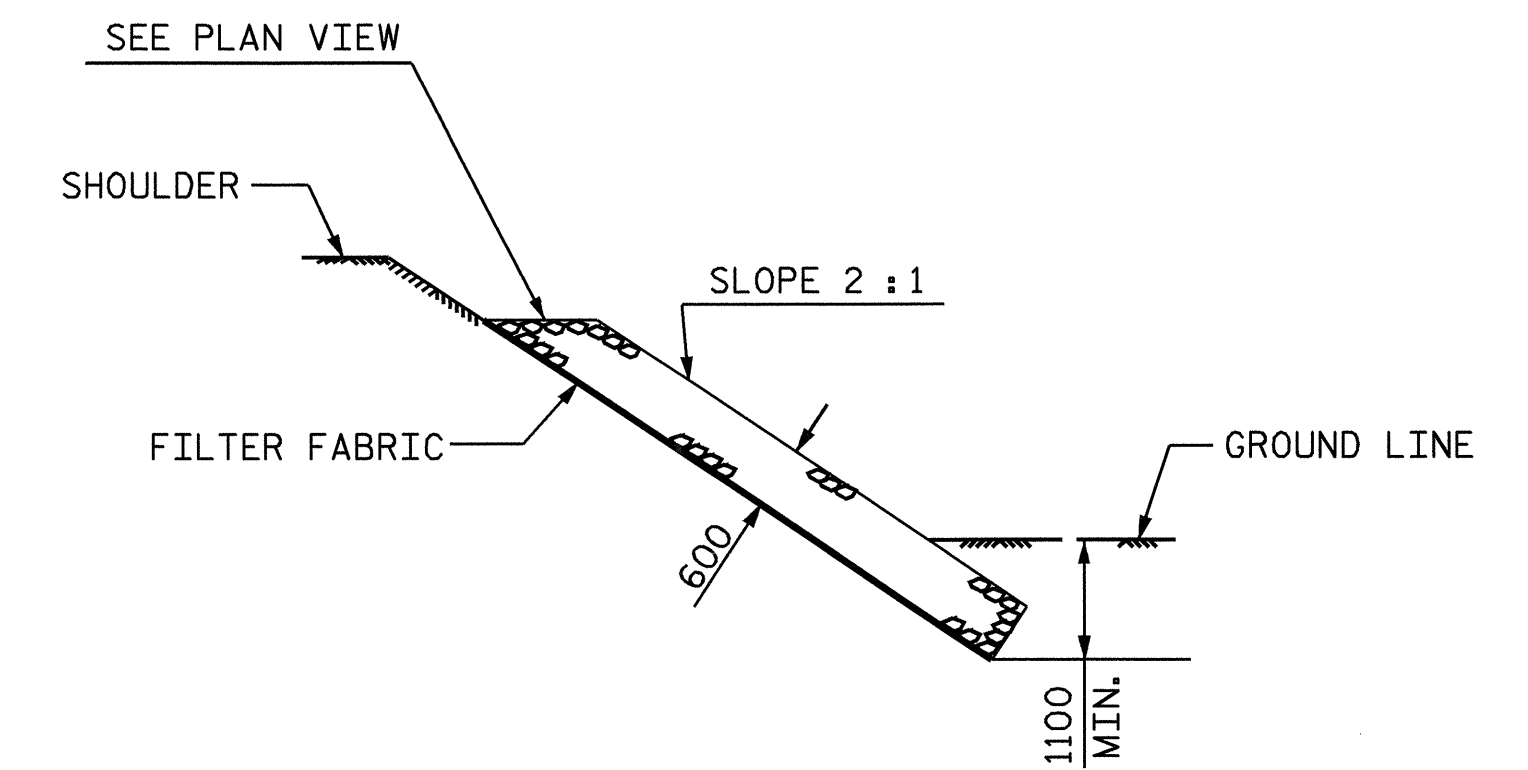
NOTE:  
NO RIP-RAP FOR  
END BENT #1

**BERM RIP RAPPED**  
(END BENT #2 ONLY)

**NOTES :**  
FOR BERM WIDTH DIMENSIONS,  
SEE GENERAL DRAWING.



**SECTION C-C**  
**BERM RIP RAPPED**



**SECTION C-C**

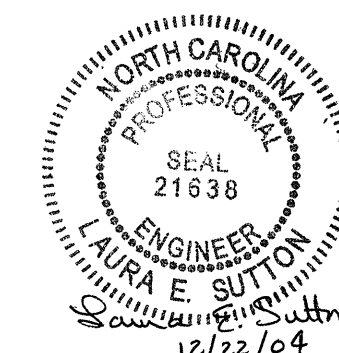
**ESTIMATED QUANTITIES**

BRIDGE @ STA. 24+60.500 -LC1B-	PLAIN RIP RAP CLASS II METRIC TON	FILTER FABRIC FOR DRAINAGE SQUARE METERS
END BENT 2	745	760

PROJECT NO. R-0977A  
CHEROKEE COUNTY  
STATION: 24+60.500-LC1B-

STATE OF NORTH CAROLINA  
DEPARTMENT OF TRANSPORTATION  
RALEIGH

**RIP RAP DETAILS**



REVISIONS

NO.	BY:	DATE:	NO.	BY:	DATE:
1			3		
2			4		

SHEET NO.
S-117
TOTAL SHEETS
230

DRAWN BY : M.D.PISO DATE : 09/2004  
CHECKED BY : N.Q.TRAN DATE : 10/2004

20-DEC-2004 16:17  
W:\Squadd\0977a\str3\mplso\R0977A.sd\_RR\_03.dgn  
lsutton

STR. #3