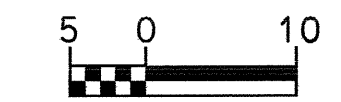


**CLEARING AND GRUBBING  
EROSION CONTROL FOR  
CONSTRUCTION SHEET 16**

NOTE:  
PLACE TEMPORARY ROCK SEDIMENT DAMS TYPE-B  
AND TEMPORARY ROCK SILT CHECKS TYPE-A AT  
DRAINAGE OUTLETS.



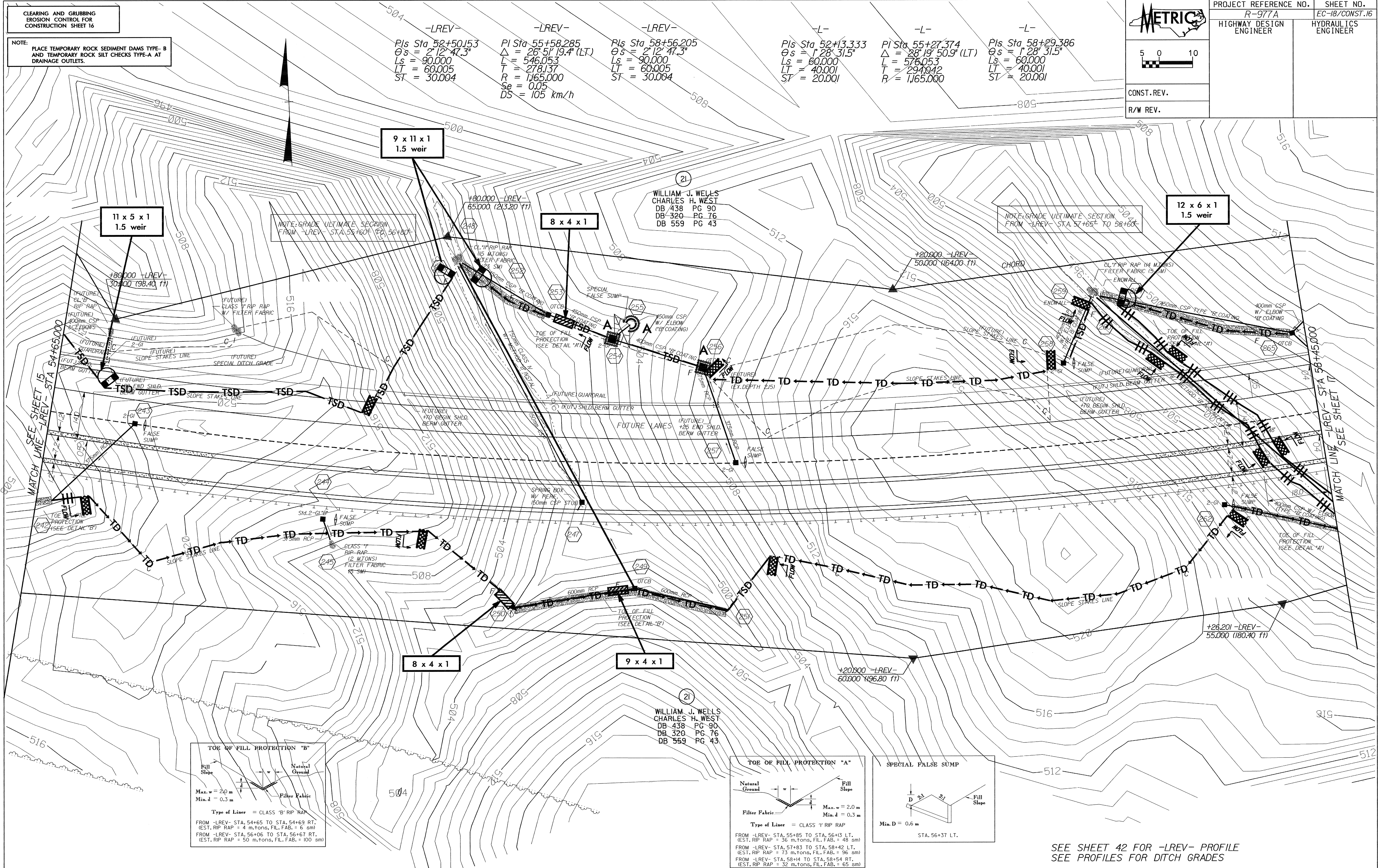
CONST. REV.

R/W REV.

PROJECT REFERENCE NO. R-977A  
HIGHWAY DESIGN ENGINEER

SHEET NO. EC-18/CONST.16  
HYDRAULICS ENGINEER

<p>Pls Sta 52+50.153  <math>\theta_s = 2^\circ 12' 47.3''</math>  <math>L_s = 90.000</math>  <math>LT = 60.005</math>  <math>ST = 30.004</math></p>	<p>Pls Sta 55+58.285  <math>\Delta = 26^\circ 51' 19.4''</math> (LT)  <math>L = 546.053</math>  <math>T = 278.137</math>  <math>R = 1,165.000</math>  <math>Se = 0.05</math>  <math>DS = 105 \text{ km/h}</math></p>	<p>Pls Sta 58+56.205  <math>\theta_s = 2^\circ 12' 47.3''</math>  <math>L_s = 90.000</math>  <math>LT = 60.005</math>  <math>ST = 30.004</math></p>	<p>Pls Sta 52+13.333  <math>\theta_s = 1^\circ 28' 31.5''</math>  <math>L_s = 60.000</math>  <math>LT = 40.001</math>  <math>ST = 20.001</math></p>	<p>Pls Sta 55+27.374  <math>\Delta = 28^\circ 19' 50.9''</math> (LT)  <math>L = 576.053</math>  <math>T = 294.042</math>  <math>R = 1,165.000</math></p>	<p>Pls Sta 58+29.386  <math>\theta_s = 1^\circ 28' 31.5''</math>  <math>L_s = 60.000</math>  <math>LT = 40.001</math>  <math>ST = 20.001</math></p>
---	--	---	---	--	---

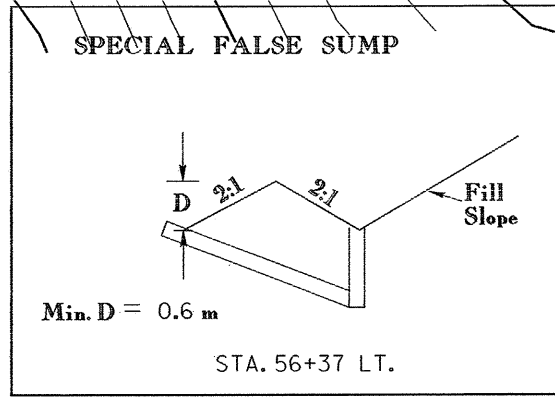
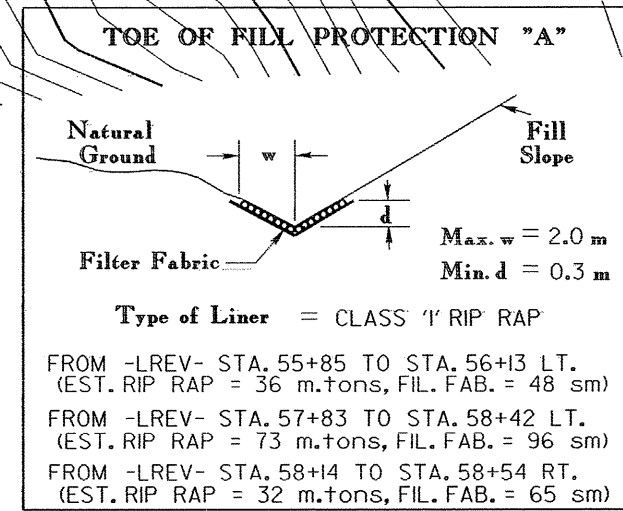
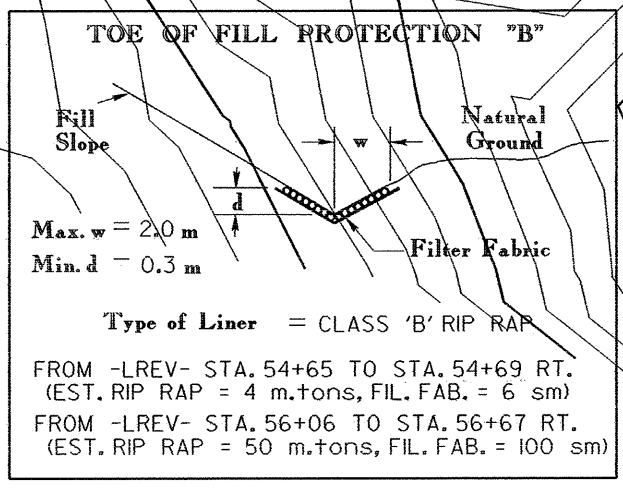


NOTE: GRADE ULTIMATE SECTION  
FROM -LREV- STA. 55+60 TO 56+80

NOTE: GRADE ULTIMATE SECTION  
FROM -LREV- STA. 57+65 TO 58+60

WILLIAM J. WELLS  
CHARLES H. WEST  
DB 438 PG 90  
DB 320 PG 76  
DB 559 PG 43

WILLIAM J. WELLS  
CHARLES H. WEST  
DB 438 PG 90  
DB 320 PG 76  
DB 559 PG 43



SEE SHEET 42 FOR -LREV- PROFILE  
SEE PROFILES FOR DITCH GRADES