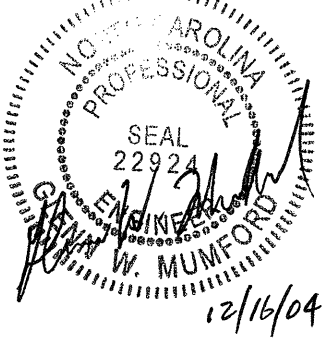
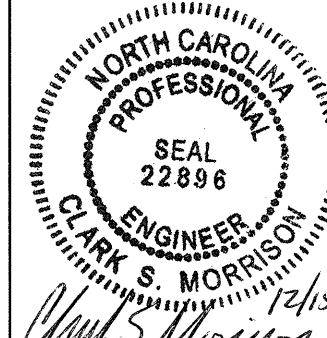
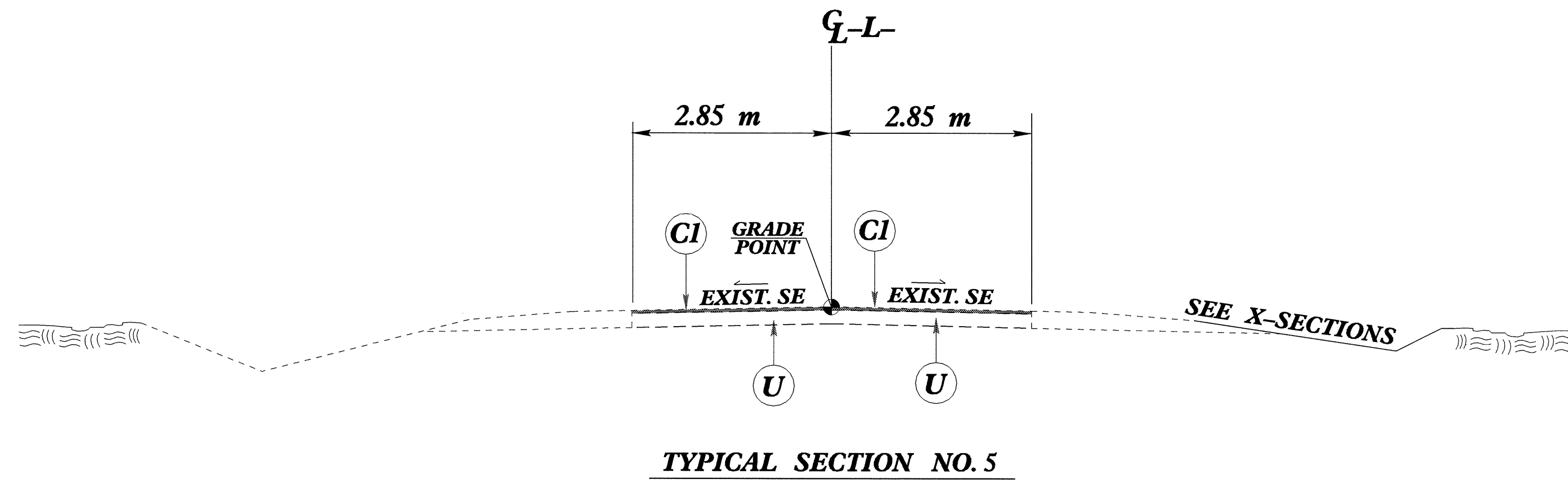
	PROJECT REFERENCE NO.	SHEET NO.
	B-3266	2-A
CONST. REV.	R /W SHEET NO.	
R /W REV.	ROADWAY DESIGN ENGINEER	PAVEMENT DESIGN ENGINEER
		

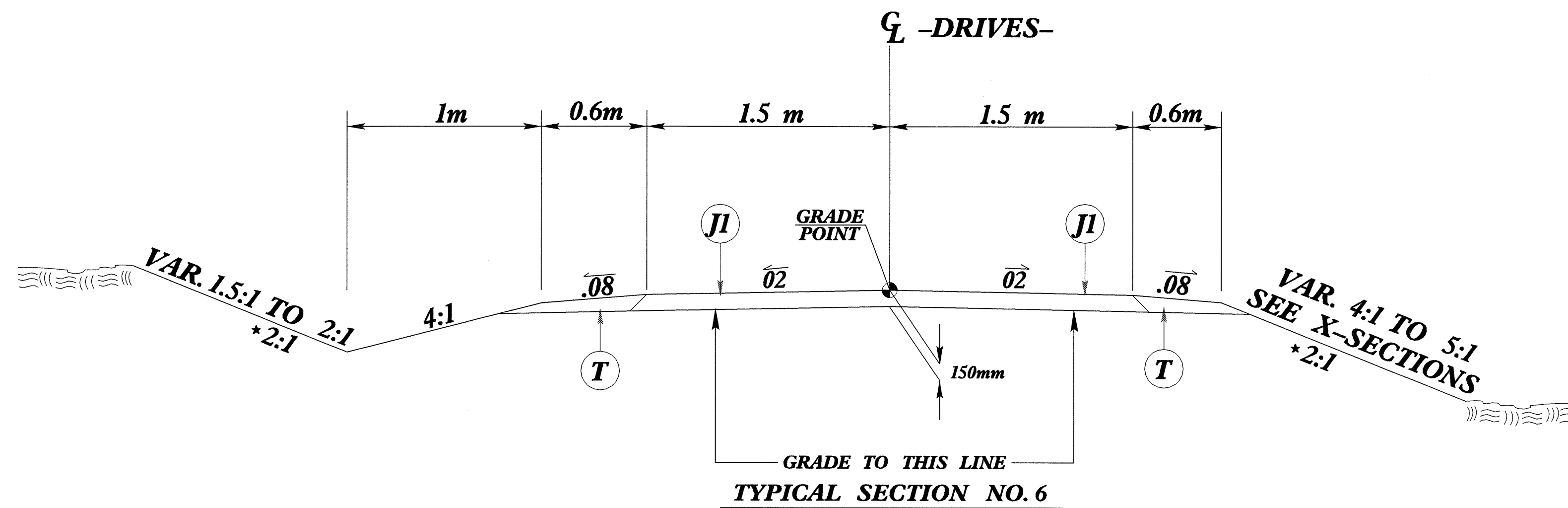


USE TYPICAL SECTION NO. 5 AT THE FOLLOWING LOCATION:
 -L- STA. 14+30.000 TO 14+46.008
 (OVERLAY EXISTING PAVEMENT)

PAVEMENT SCHEDULE

CI	60mm SF9.5A
C2	VAR SF9.5A
E1	100mm B25.0B
E2	VAR B25.0B
J1	150mm ABC
T	EARTH MATERIAL
U	EXISTING PAVEMENT
W	WEDGING

NOTE: PAVEMENT EDGE SLOPES ARE 1:1 UNLESS SHOWN OTHERWISE



USE TYPICAL SECTION NO. 6 AT THE FOLLOWING LOCATIONS:

- DR1- STA. 10+05.000 TO 10+36.076
- *-DR2- STA. 10+03.709 TO 10+28.000
- *-DR3- STA. 10+00.000 TO 10+20.949