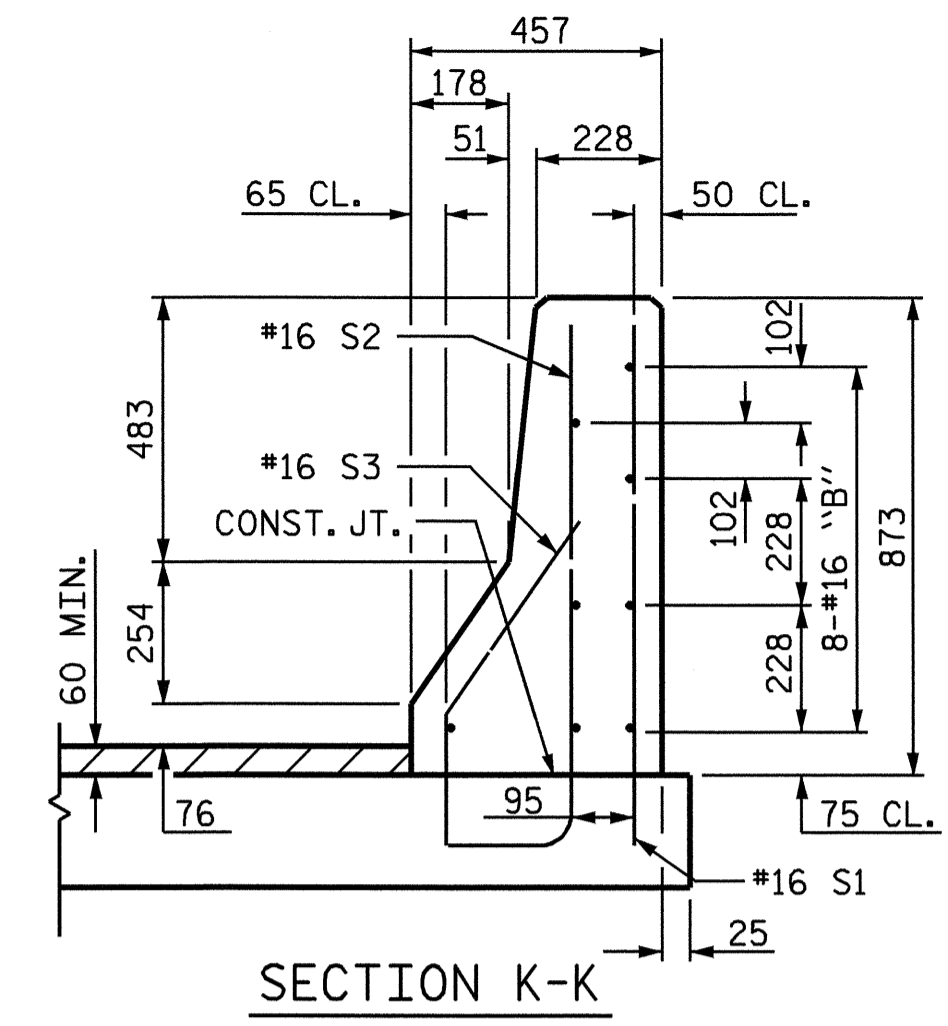
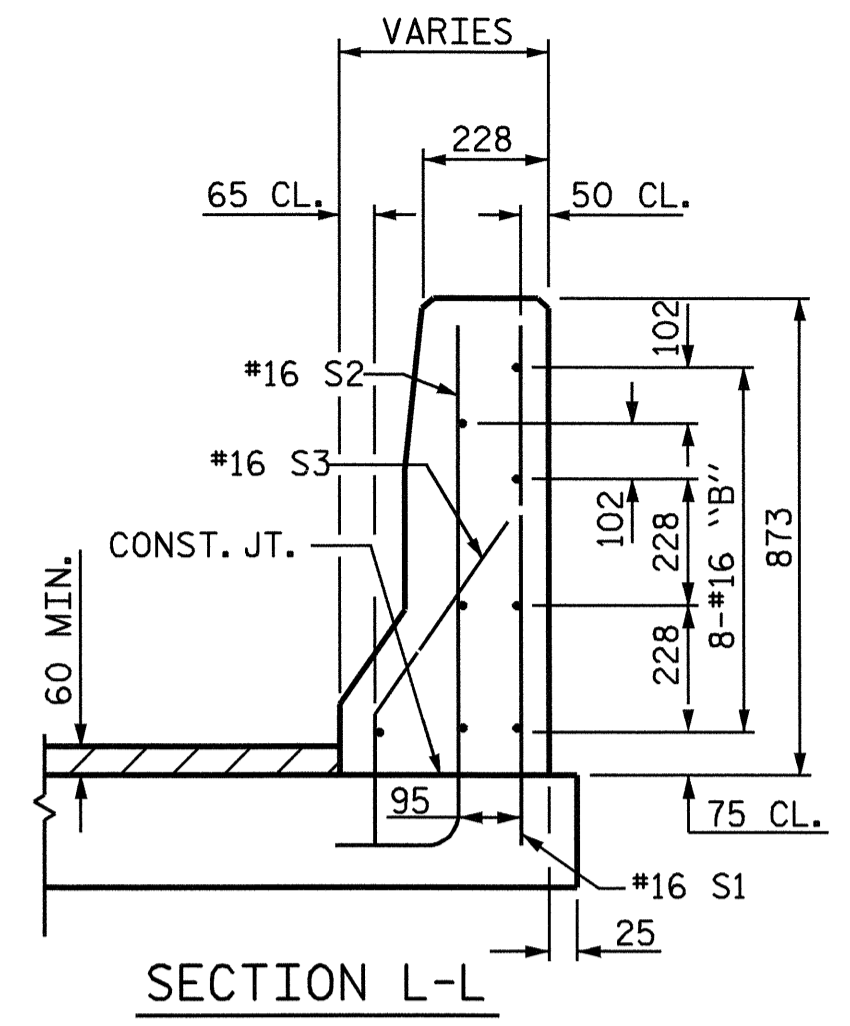


PLAN

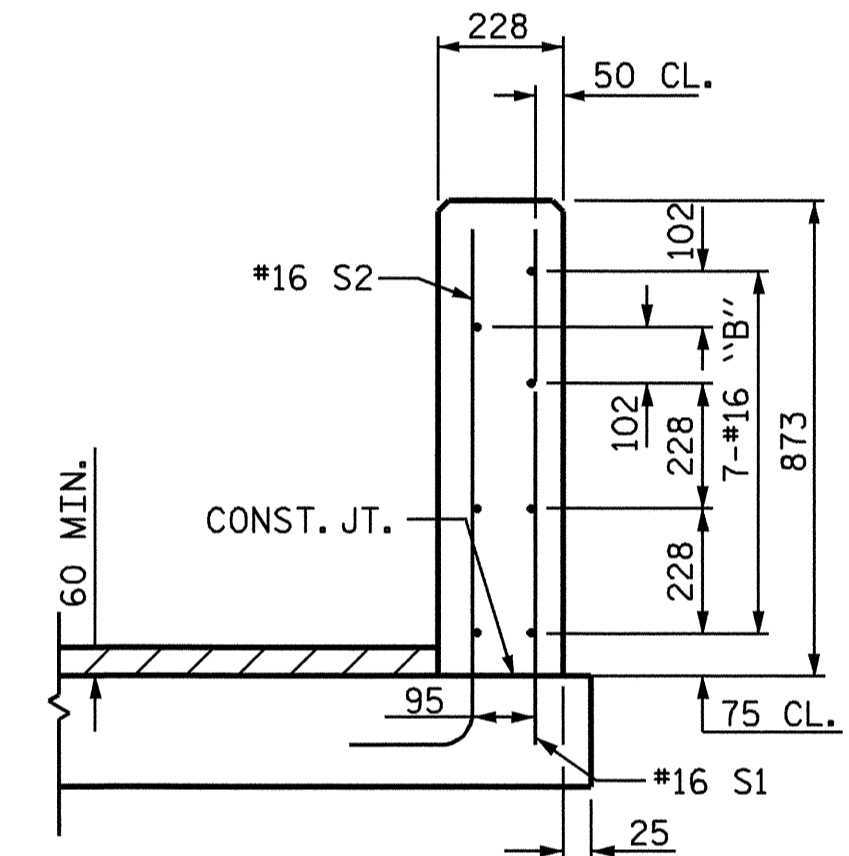
BEGIN APPROACH SLAB SHOWN,
END APPROACH SLAB SIMILAR



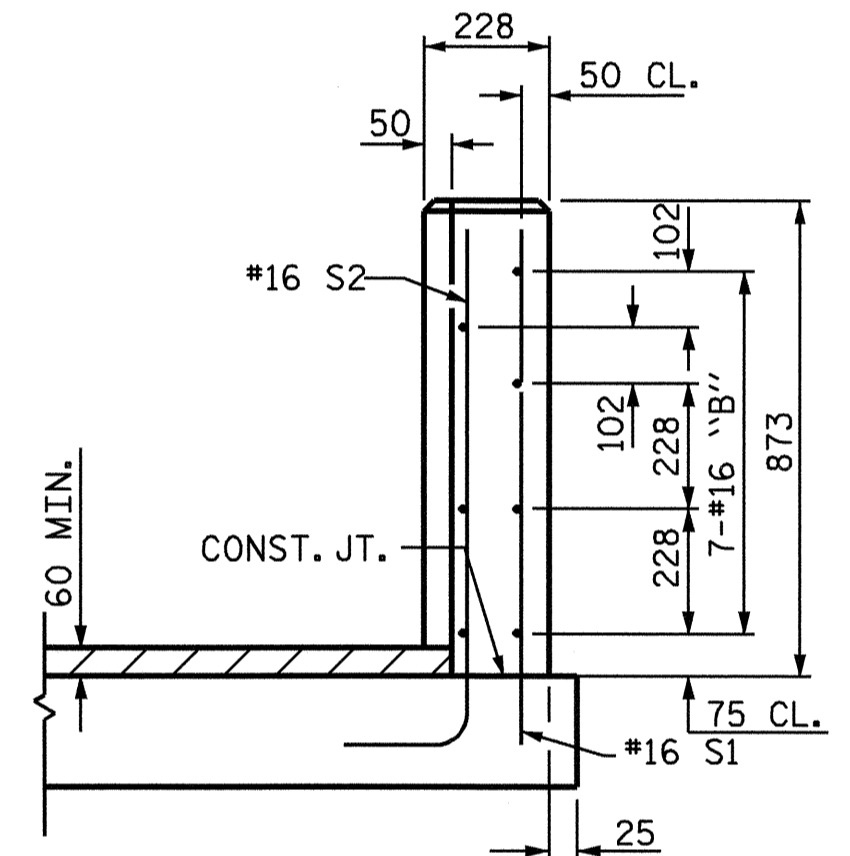
SECTION K-K



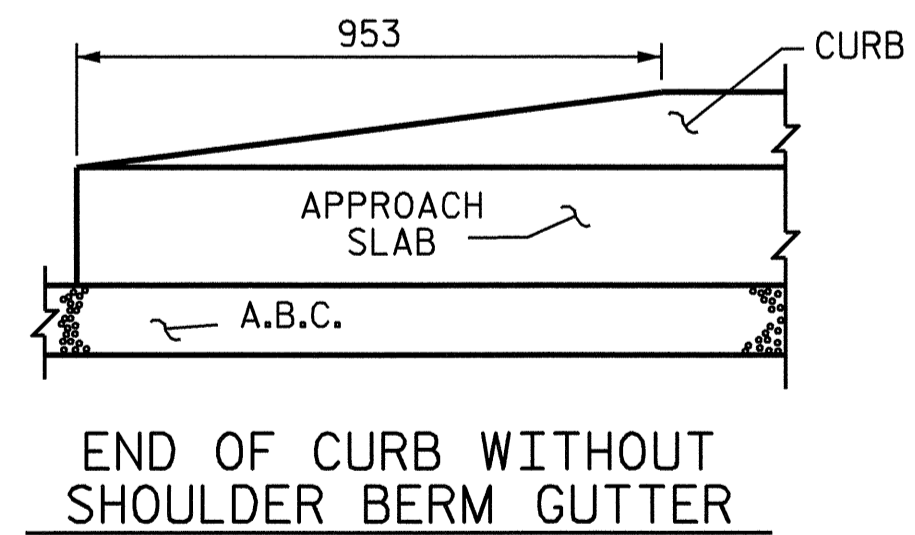
SECTION L-L



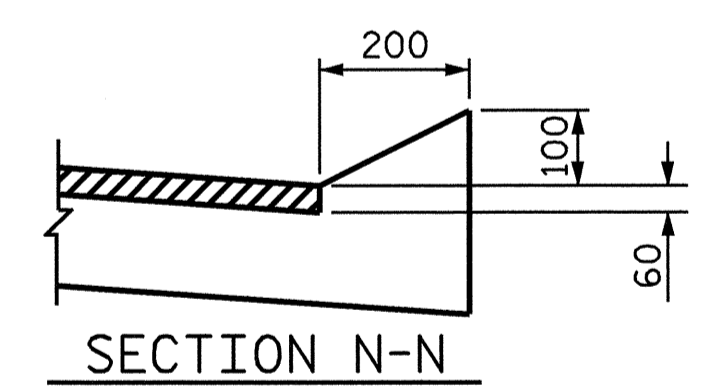
SECTION M-M



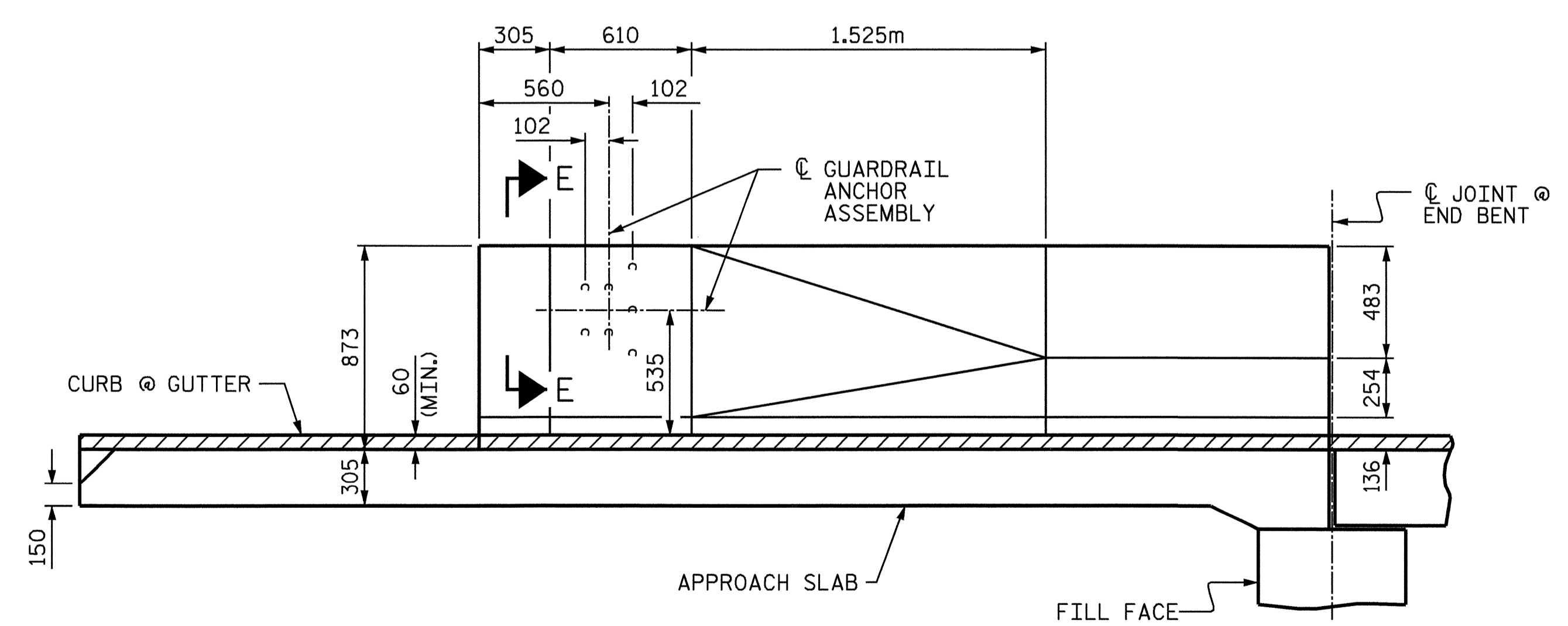
END VIEW



END OF CURB WITHOUT SHOULDER BERM GUTTER



SECTION N-N



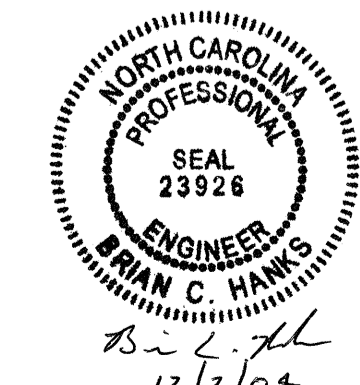
ELEVATION

NOTE: FOR GUARDRAIL ANCHORAGE DETAILS, SEE SHEET 4 OF 4.

PROJECT NO. B-3266
WILKES COUNTY
 STATION: 12+48.000 -L-

SHEET 3 OF 4

STATE OF NORTH CAROLINA
 DEPARTMENT OF TRANSPORTATION
 RALEIGH
 BRIDGE APPROACH SLAB
 FOR PRESTRESSED
 CONCRETE CORED SLAB
 WITH BARRIER RAIL



REVISIONS						SHEET NO.	
NO.	BY:	DATE:	NO.	BY:	DATE:	S-25	
1			3			TOTAL SHEETS	
2			4			26	

DRAWN BY: J.L. WALTON DATE: 7/7/04
 CHECKED BY: D.G. ELY DATE: 8/13/04