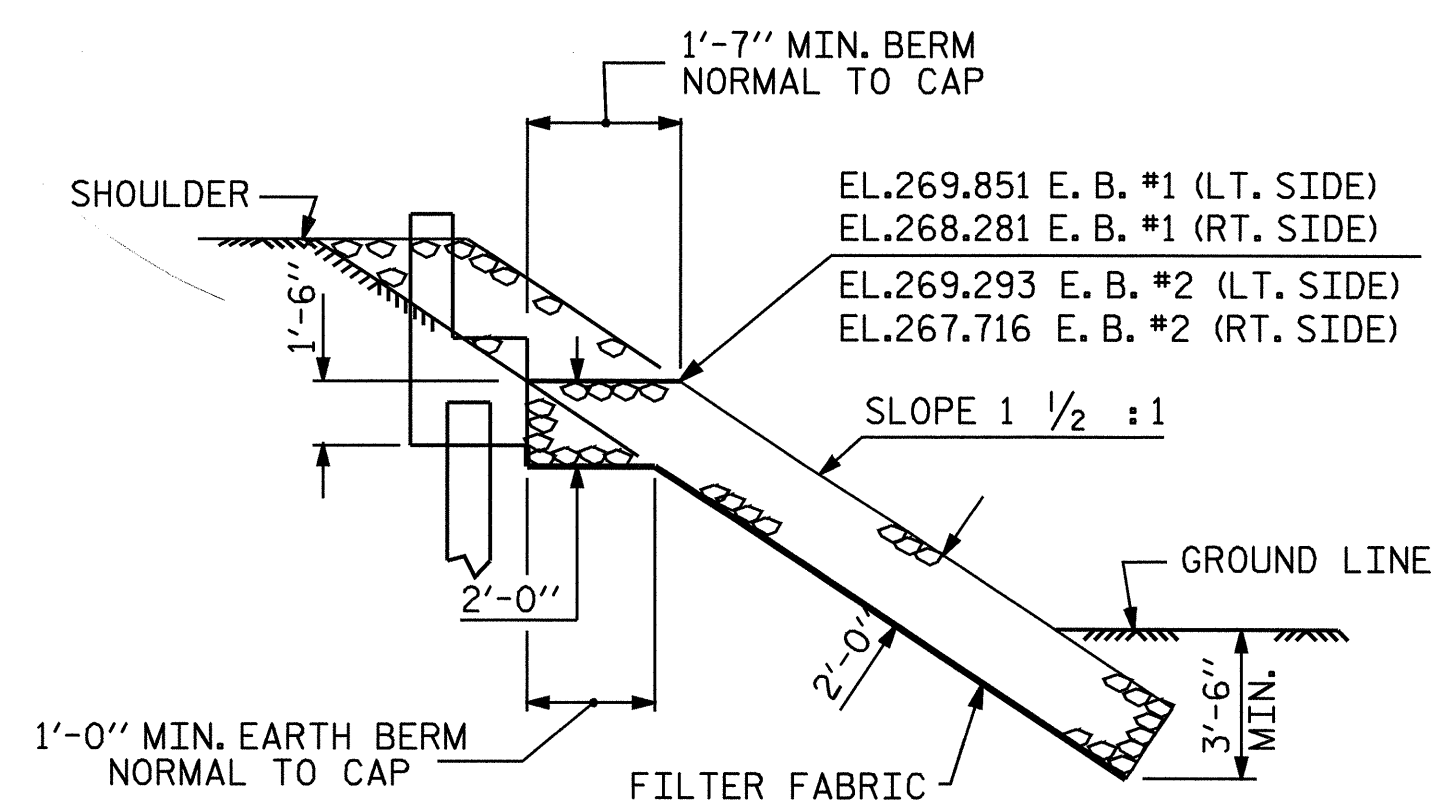


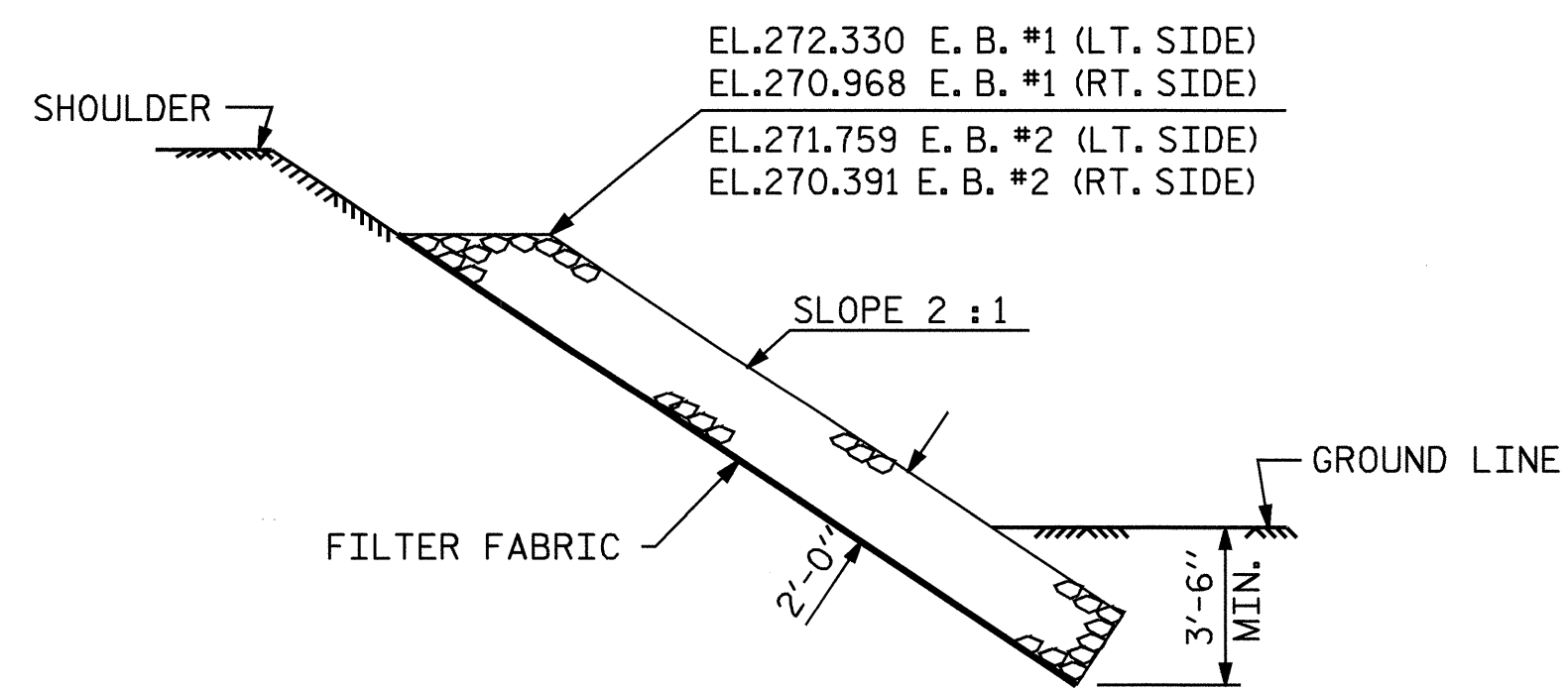
**NOTES :**  
 FOR BERM WIDTH DIMENSIONS, SEE GENERAL DRAWING.  
 THE COST OF THE FILTER FABRIC SHALL BE INCLUDED IN THE CONTRACT PRICE BID FOR PLAIN RIP RAP CLASS II.

ESTIMATED QUANTITIES		
BRIDGE @ STA. 18+17.85 -L-	PLAIN RIP RAP CLASS II	FILTER FABRIC FOR DRAINAGE
	TONS	SQUARE YARDS
END BENT 1	95	105
END BENT 2	125	135

SHOULDER RIP RAP IS HIGHER THAN BERM RIP RAP



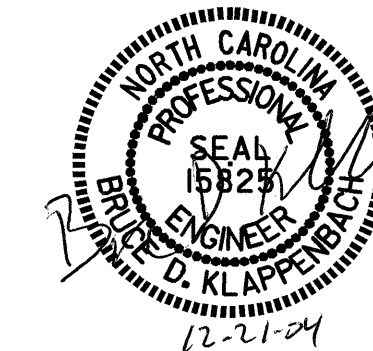
SECTION H-H



SECTION C-C

PROJECT NO. B-3703  
WAKE COUNTY  
 STATION: 18+17.85 -L-

STATE OF NORTH CAROLINA  
 DEPARTMENT OF TRANSPORTATION  
 RALEIGH  
 STANDARD  
 RIP RAP DETAILS



ASSEMBLED BY : M. G. SHAIKH DATE : 10-7-04  
 CHECKED BY : G. M. PATTERSON DATE : 11-10-04  
 DRAWN BY : FCJ 2/88 REV. 7/17/98 REK/RWW  
 CHECKED BY : ARB 8/88 REV. 8/16/99 RWW/LES  
 REV. 10/17/00 RWW/LES

REVISIONS						SHEET NO.
NO.	BY:	DATE:	NO.	BY:	DATE:	TOTAL SHEETS
1			3			S-24
2			4			27