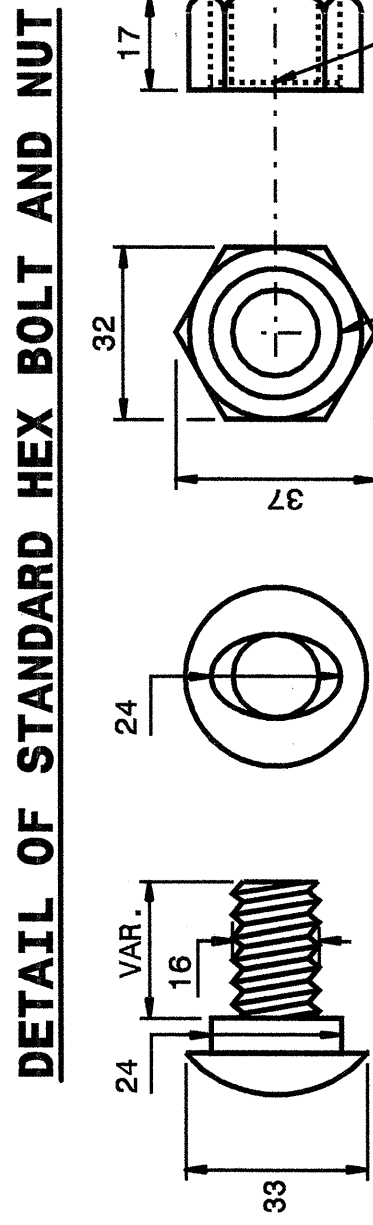
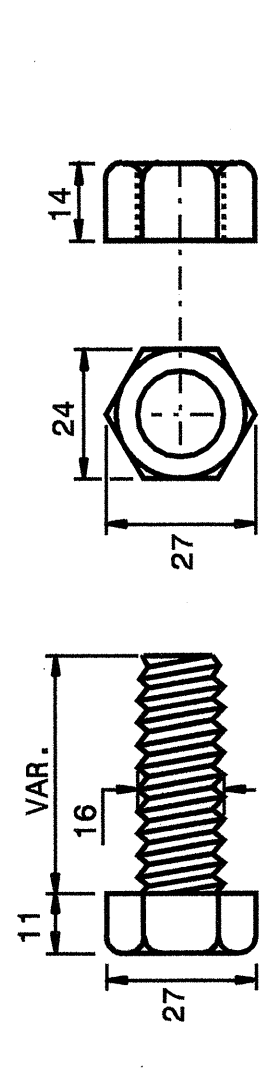
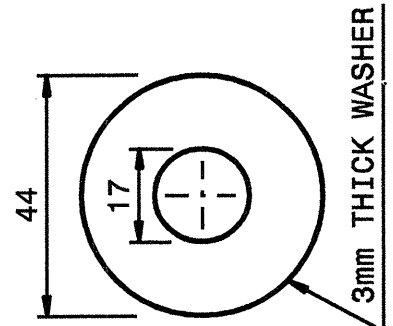
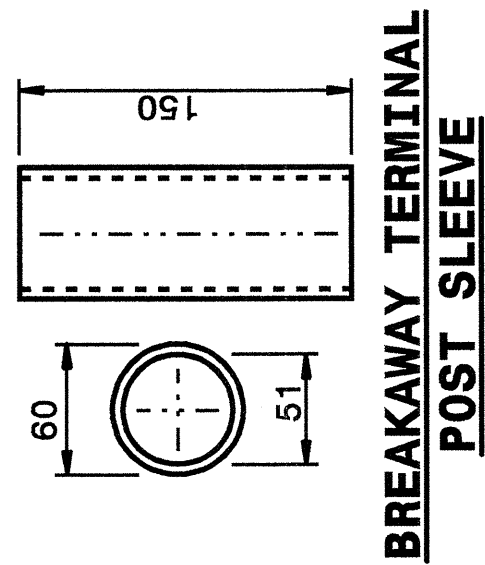


I2-JUL-2004 15:07
 W:\Special_Details\2002\standards\02 Stds to Special_Details\metric\862D02\0862d02m.dgn
 Reviewed At: DSC12286

STATE OF
 NORTH CAROLINA
 DEPT. OF TRANSPORTATION
 DIVISION OF HIGHWAYS
 RALEIGH, N.C.

METRIC DETAIL DRAWING FOR
GUARDRAIL INSTALLATION

SHEET 5 OF 7
862D02

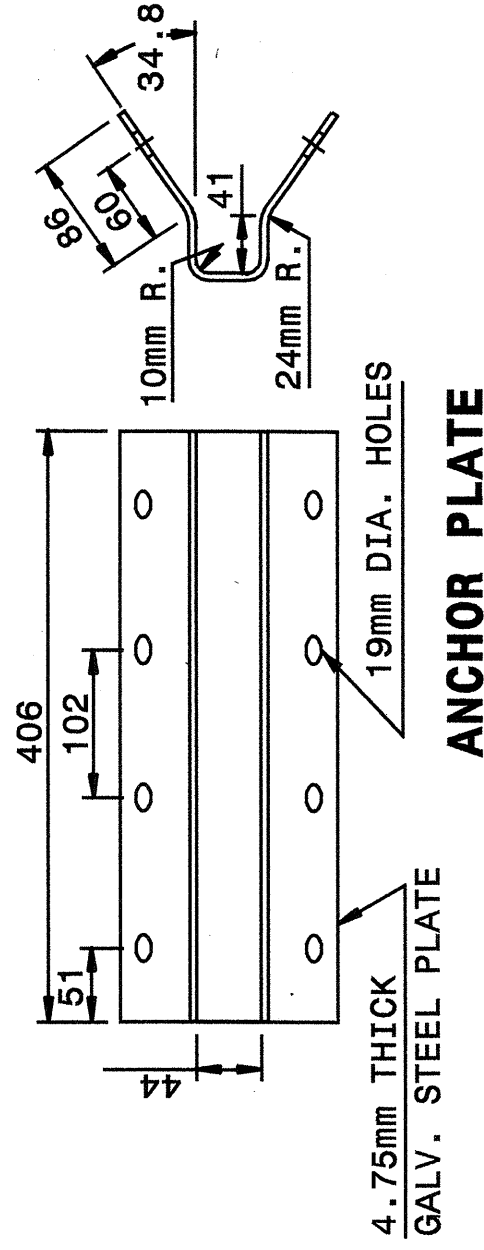
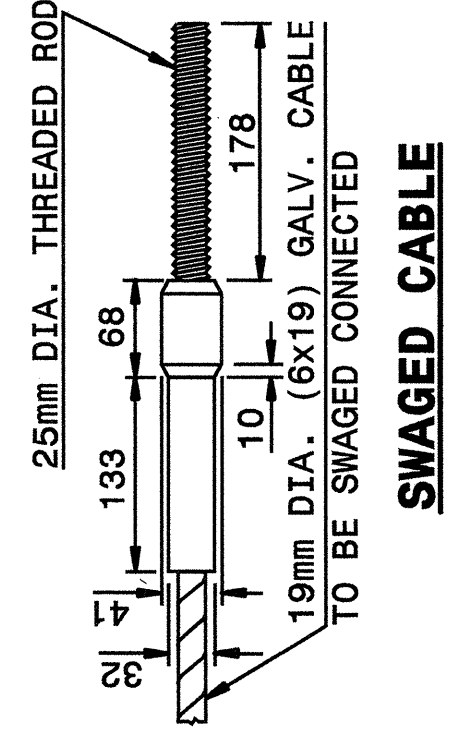
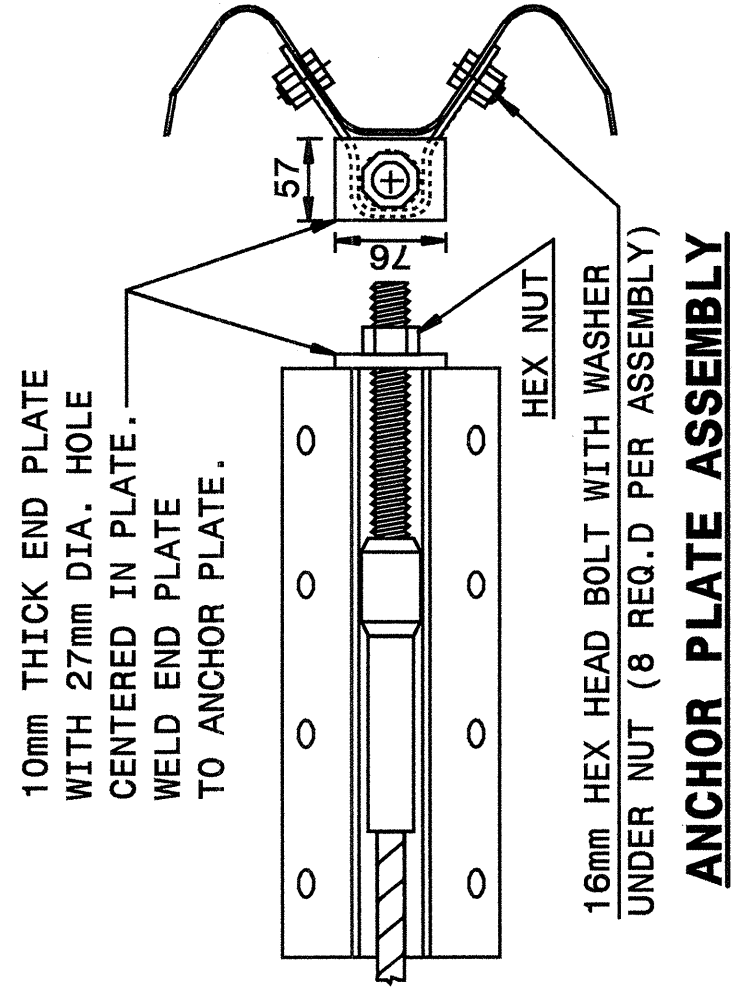


Note:
 This drawing is dimensioned in millimeters unless otherwise depicted within the drawing.

STATE OF
 NORTH CAROLINA
 DEPT. OF TRANSPORTATION
 DIVISION OF HIGHWAYS
 RALEIGH, N.C.

METRIC DETAIL DRAWING FOR
GUARDRAIL INSTALLATION

SHEET 5 OF 7
862D02



CABLE ASSEMBLY

SYSTEM PARTS

STATE OF
 NORTH CAROLINA
 DEPT. OF TRANSPORTATION
 DIVISION OF HIGHWAYS
 RALEIGH, N.C.

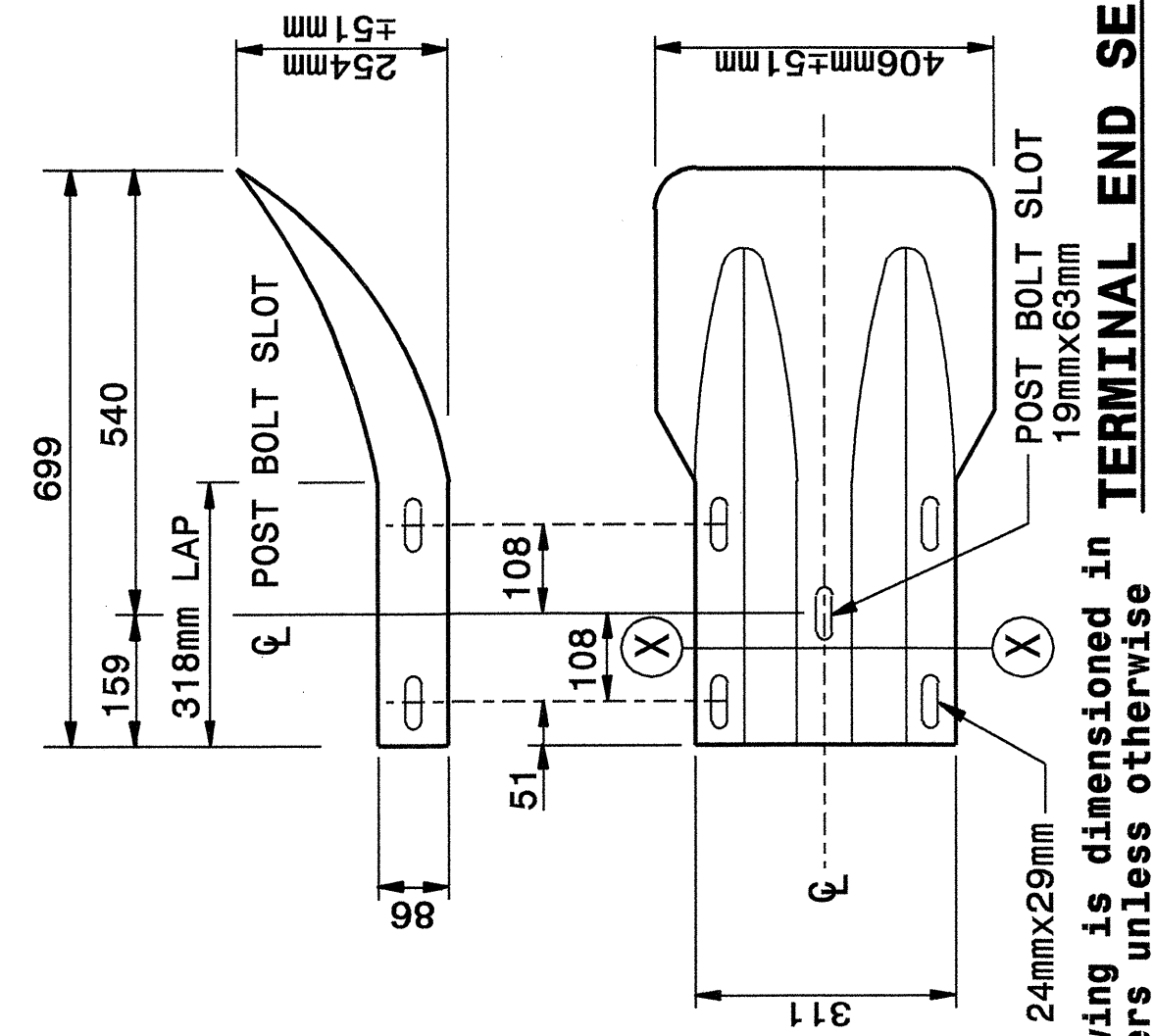
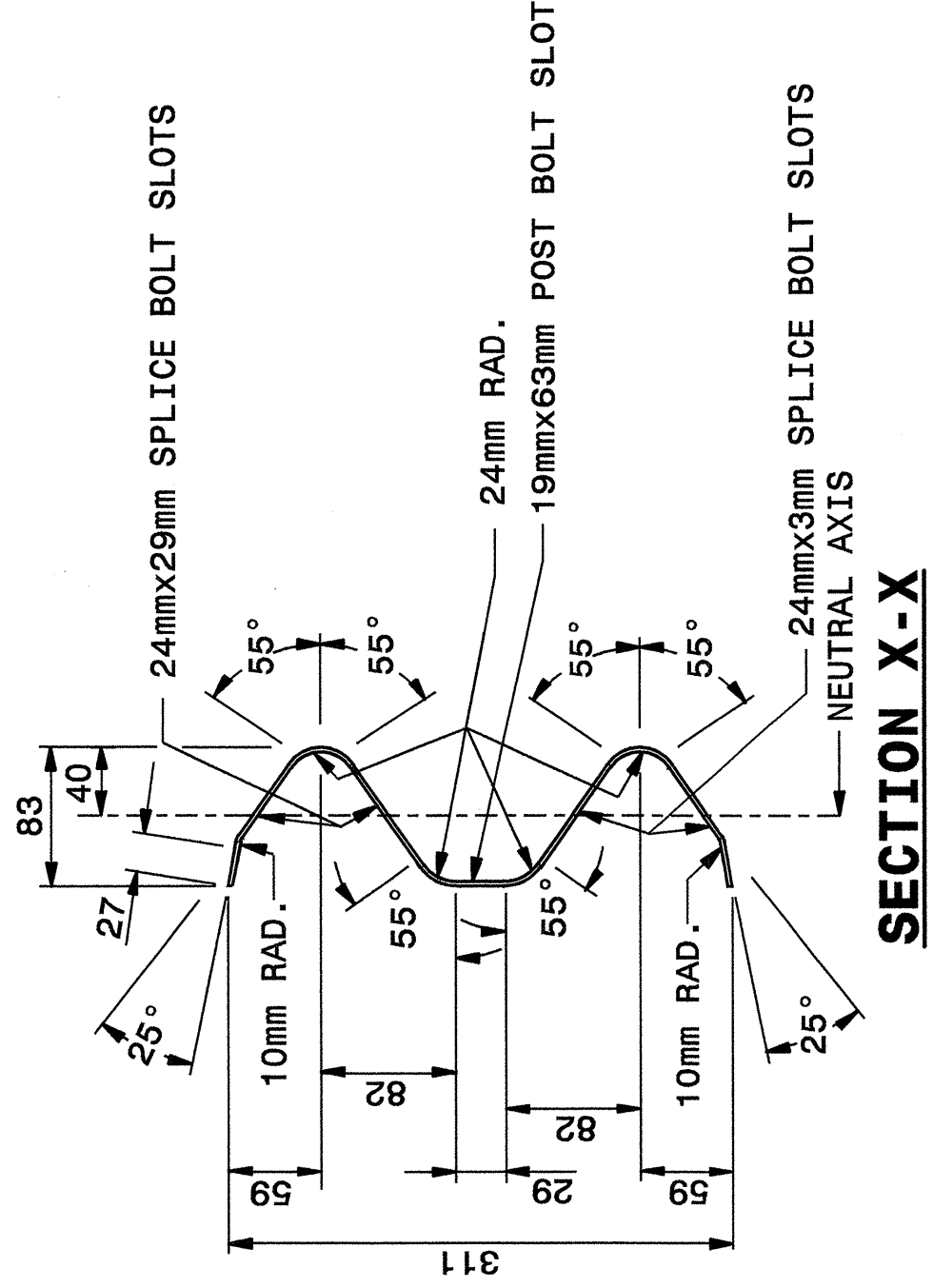
METRIC DETAIL DRAWING FOR
GUARDRAIL INSTALLATION

SHEET 6 OF 7
862D02

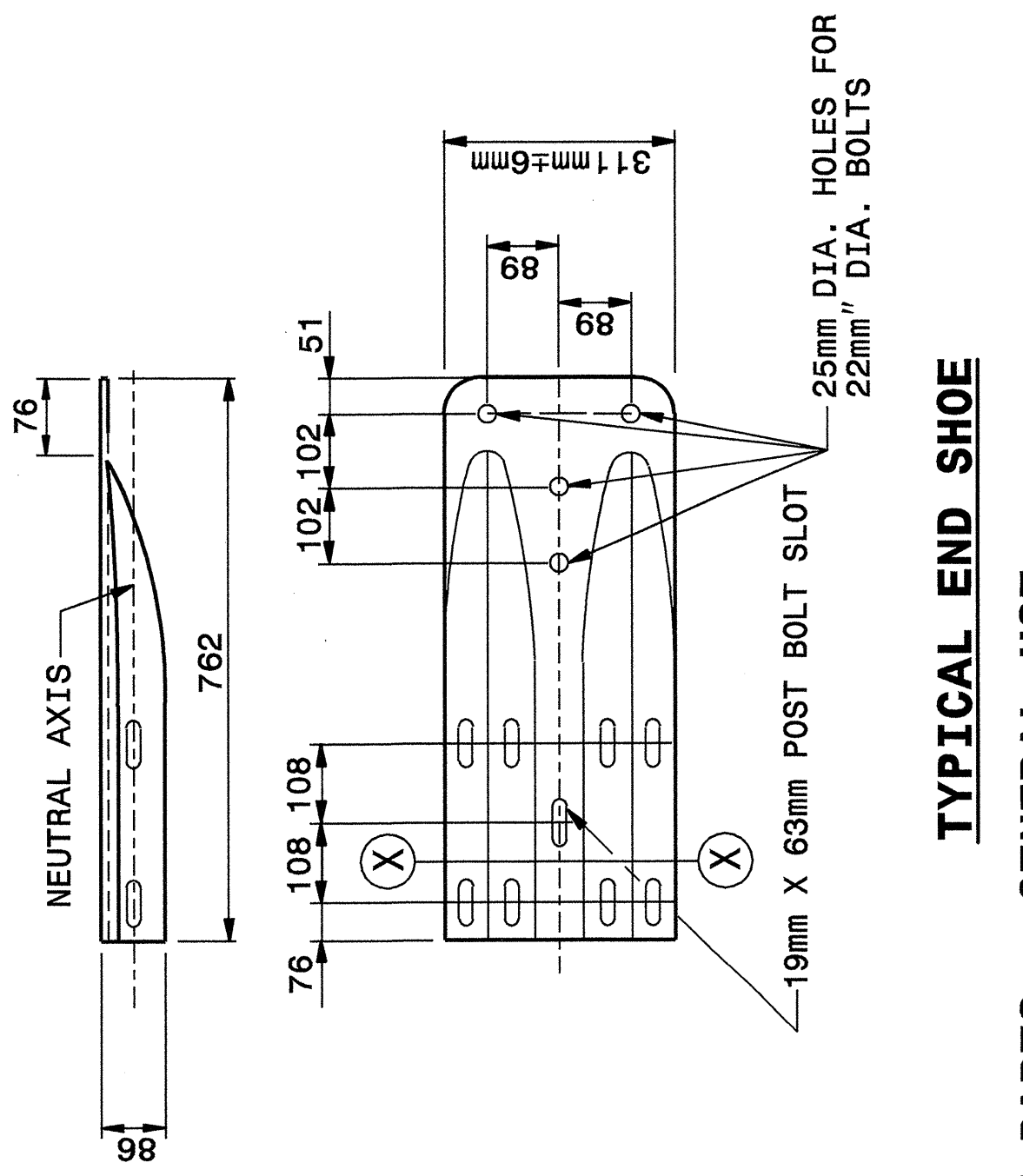
STATE OF
 NORTH CAROLINA
 DEPT. OF TRANSPORTATION
 DIVISION OF HIGHWAYS
 RALEIGH, N.C.

METRIC DETAIL DRAWING FOR
GUARDRAIL INSTALLATION

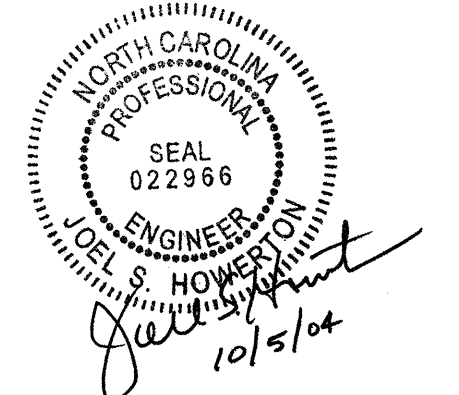
SHEET 6 OF 7
862D02



Note:
 This drawing is dimensioned in millimeters unless otherwise depicted within the drawing.



SYSTEM PARTS - GENERAL USE
TYPICAL END SHOE



DESIGN SERVICES UNIT
 STANDARDS AND SPECIAL DESIGN
 Office 919-250-4128 FAX 919-250-4119

SEE PLATE FOR TITLE

ORIGINAL BY: 2002 STD.862.02 DATE:
 MODIFIED BY: E.E. WARD DATE: 02-09-03
 CHECKED BY: DATE: 7/13/04
 FILE SPEC.: /usr/stds/02stdetail/metric/86202/862d02m.dgn