

12.70mm Ø L. R. GRADE 270 STRANDS

AREA (mm ²)	ULTIMATE STRENGTH (kN PER STRAND)	APPLIED PRESTRESS (kN PER STRAND)
98.71	183.7	137.8

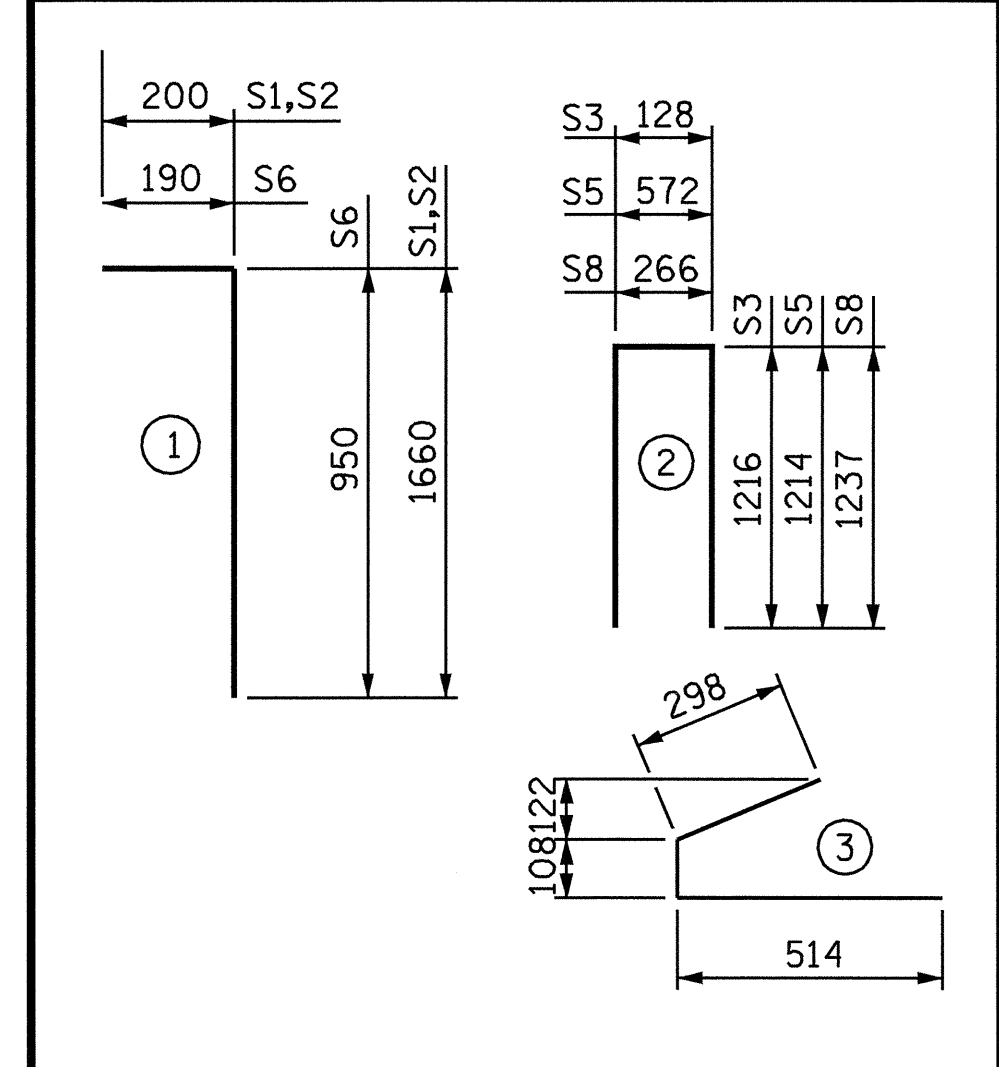
REINFORCING STEEL FOR ONE GIRDER

BAR	NUMBER	SIZE	TYPE	LENGTH	WEIGHT
S1	140	#13	1	1860	259
S2	24	#16	1	1860	69
S3	12	#13	2	2560	31
S4	72	#13	3	920	66
S5	2	#16	2	3000	9
S6	164	#16	1	1140	290
S8	2	#16	2	2740	9
S9	39	#16	STR	980	59

DEBONDING LEGEND

- FULLY BONDED STRANDS
- STRANDS DEBONDED FOR 0.600m FROM END OF GIRDER
- STRANDS DEBONDED FOR 1.220m FROM END OF GIRDER

BAR TYPES



QUANTITIES FOR ONE GIRDER

REINFORCING STEEL	48.3 MPa CONCRETE	12.70mm Ø L.R. STRANDS
kg	m ³	No.
792	15.6	38

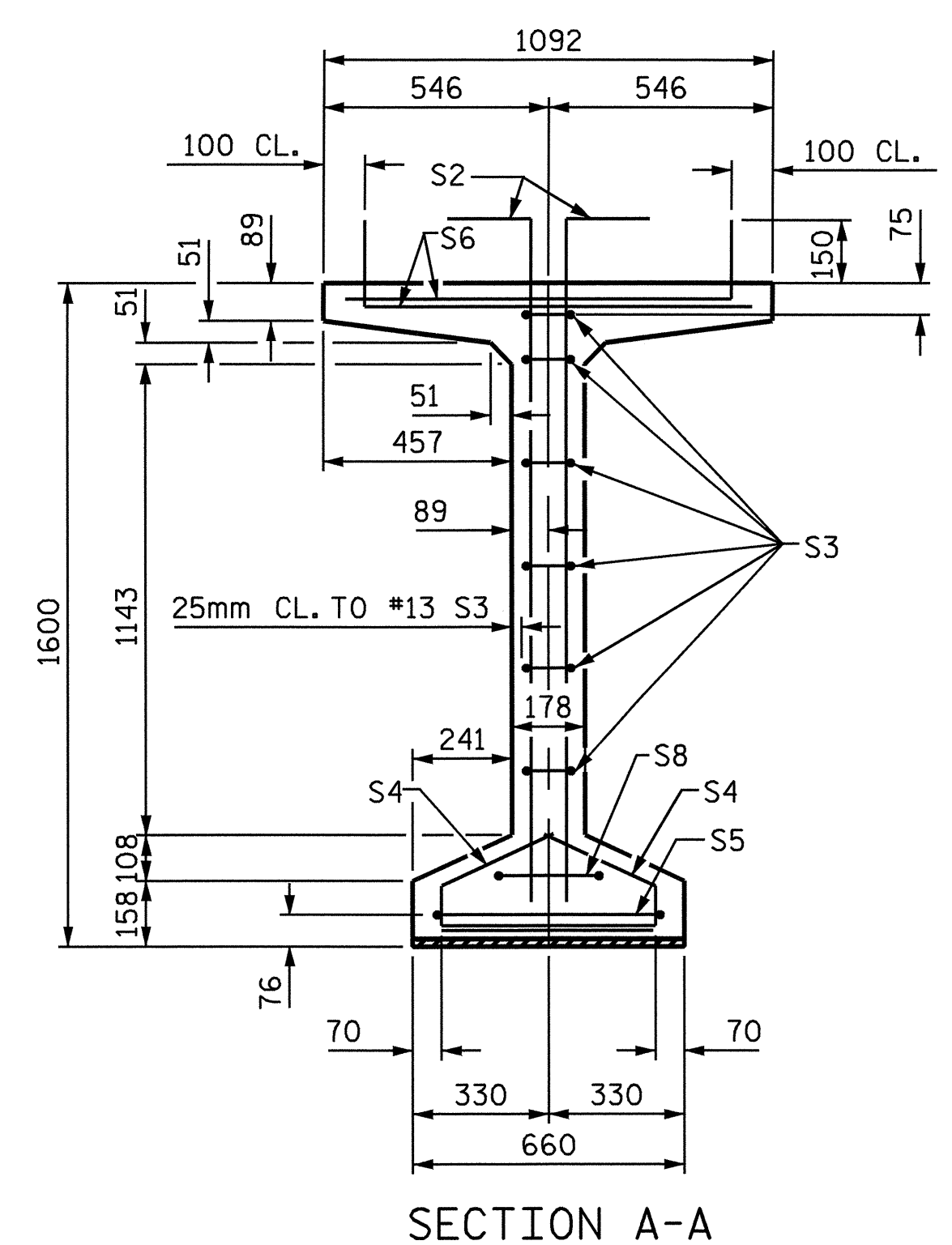
GIRDERS REQUIRED

NUMBER	LENGTH	TOTAL LENGTH
5	31.240m	156.200m

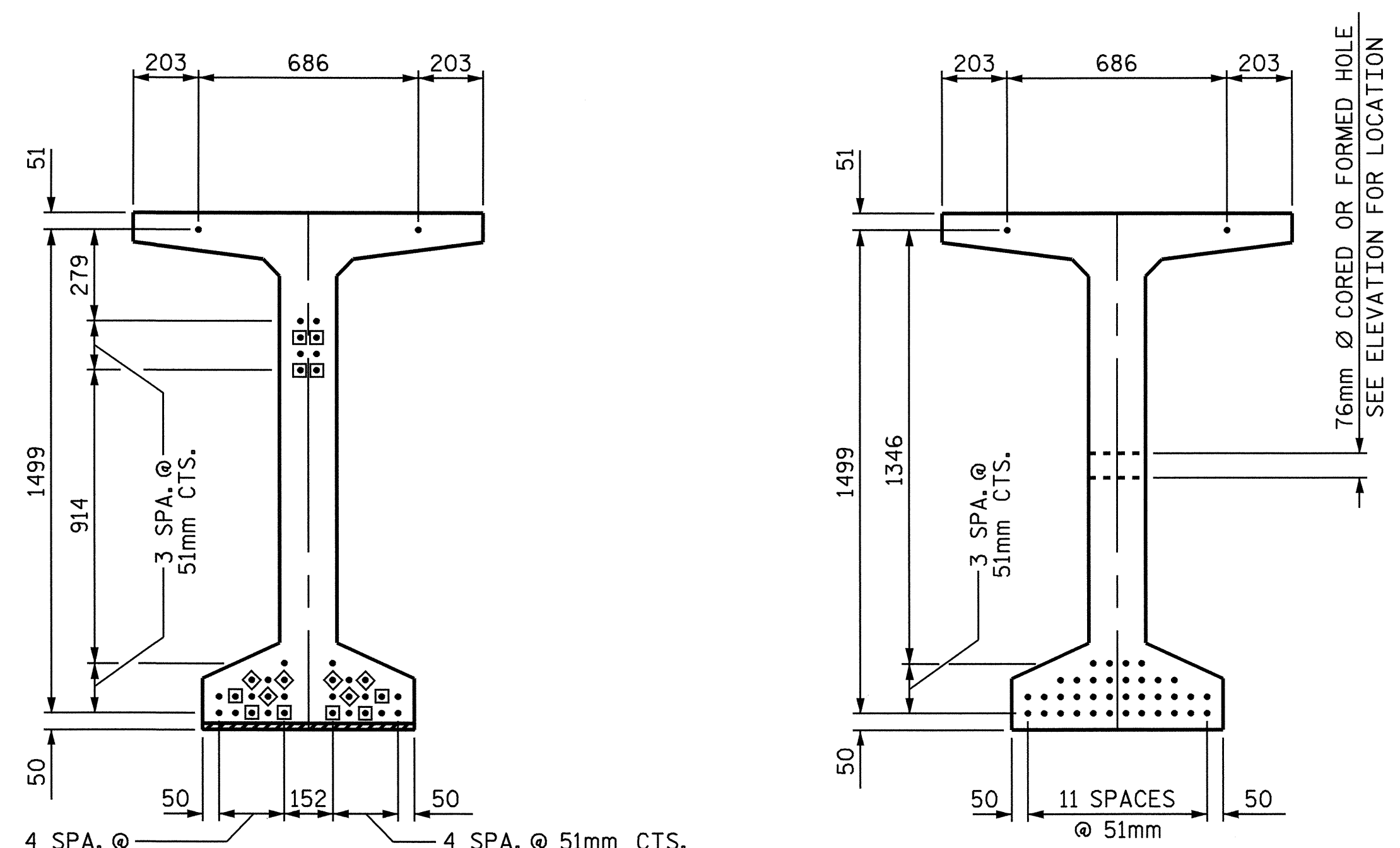
PROJECT NO. B-3376
 WAKE COUNTY
 STATION: 12+90.000 -L-

STATE OF NORTH CAROLINA
 DEPARTMENT OF TRANSPORTATION
 RALEIGH
 STANDARD
 1600mm
 PRESTRESSED CONCRETE
 MODIFIED BULB TEE

REVISIONS						SHEET NO.
NO.	BY:	DATE:	NO.	BY:	DATE:	S-7
1			3			TOTAL SHEETS 23
2			4			



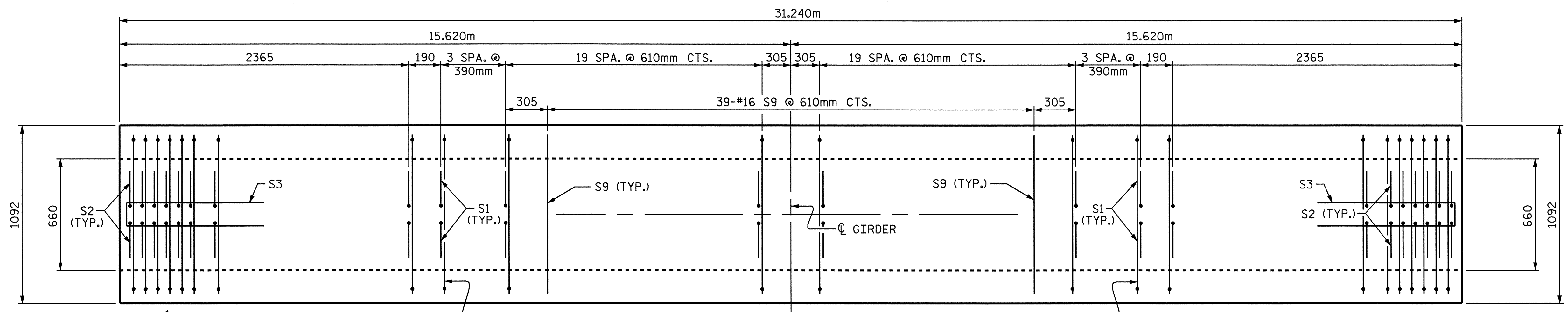
SECTION A-A



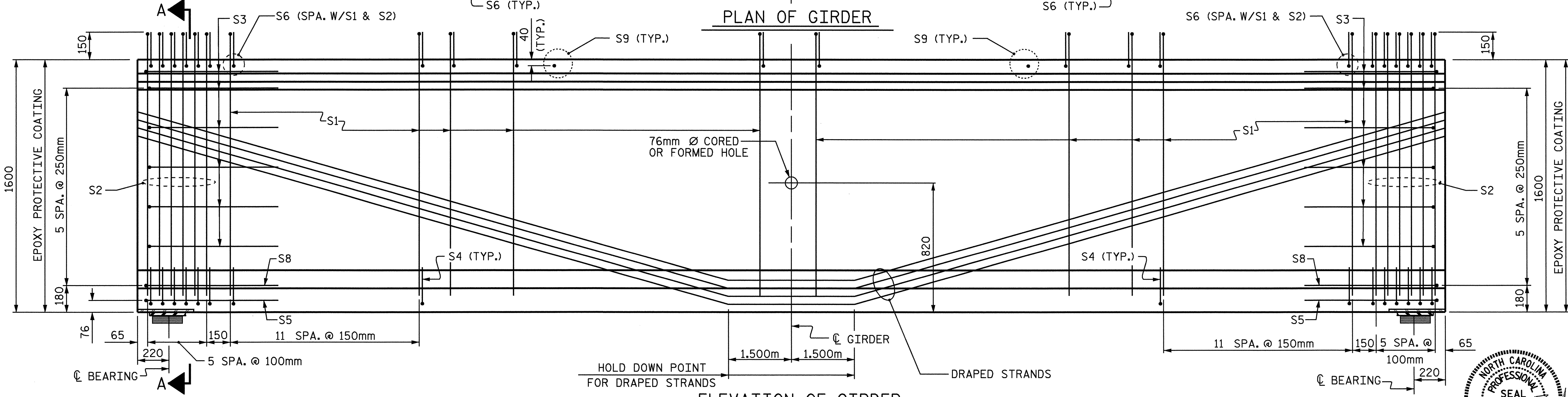
AT END OF GIRDERS
 AT C OF GIRDER
 12.70mm Ø LOW RELAXATION STRAND LAYOUT

DEBONDING LEGEND

- FULLY BONDED STRANDS
- STRANDS DEBONDED FOR 0.600m FROM END OF GIRDER
- STRANDS DEBONDED FOR 1.220m FROM END OF GIRDER



PLAN OF GIRDER



ELEVATION OF GIRDER

ASSEMBLED BY : A. K. PATEL DATE :06-28-04
 CHECKED BY : M. K. BEARD DATE :07-14-04
 DRAWN BY : EEM 2/6/97 REV. 7/17/98 RWW/LES
 CHECKED BY : VAP 2/6/97 REV. 8/16/99 RWW/LES
 REV. 10/17/00 RWW/LES

