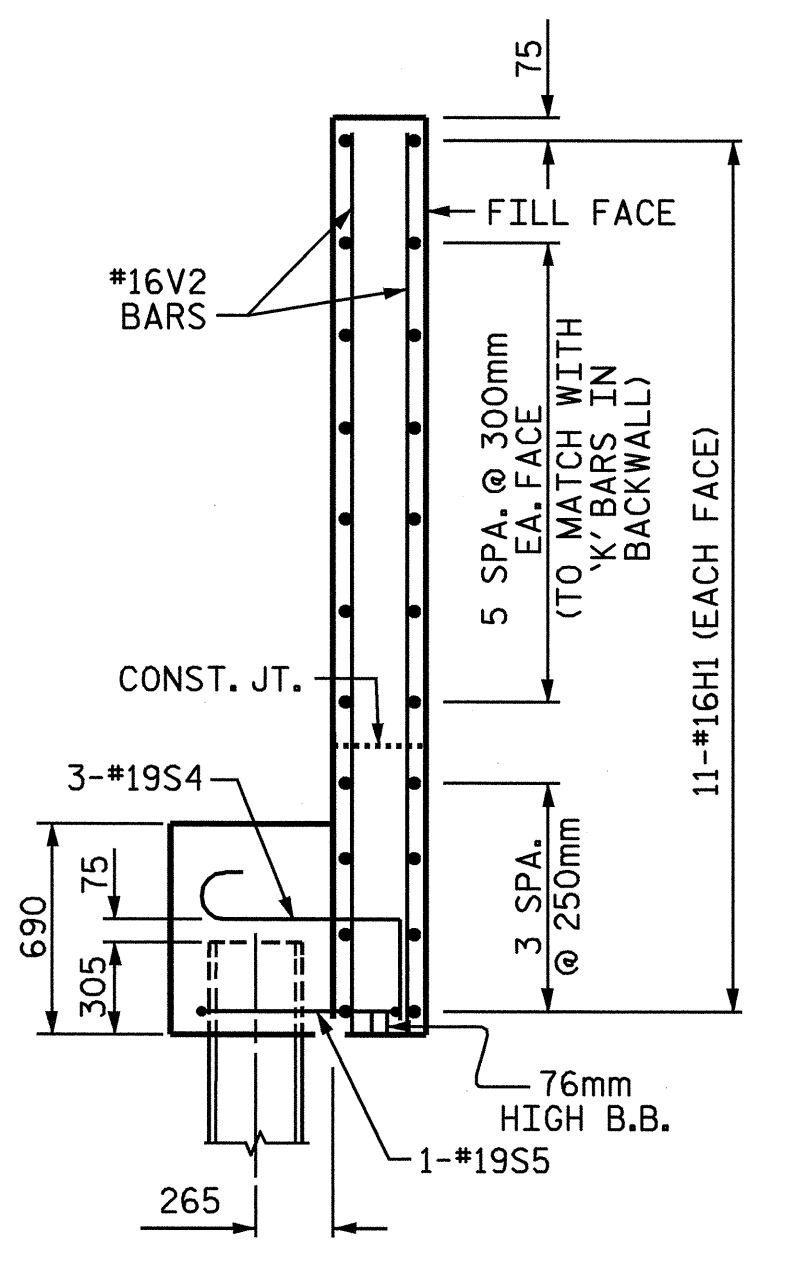
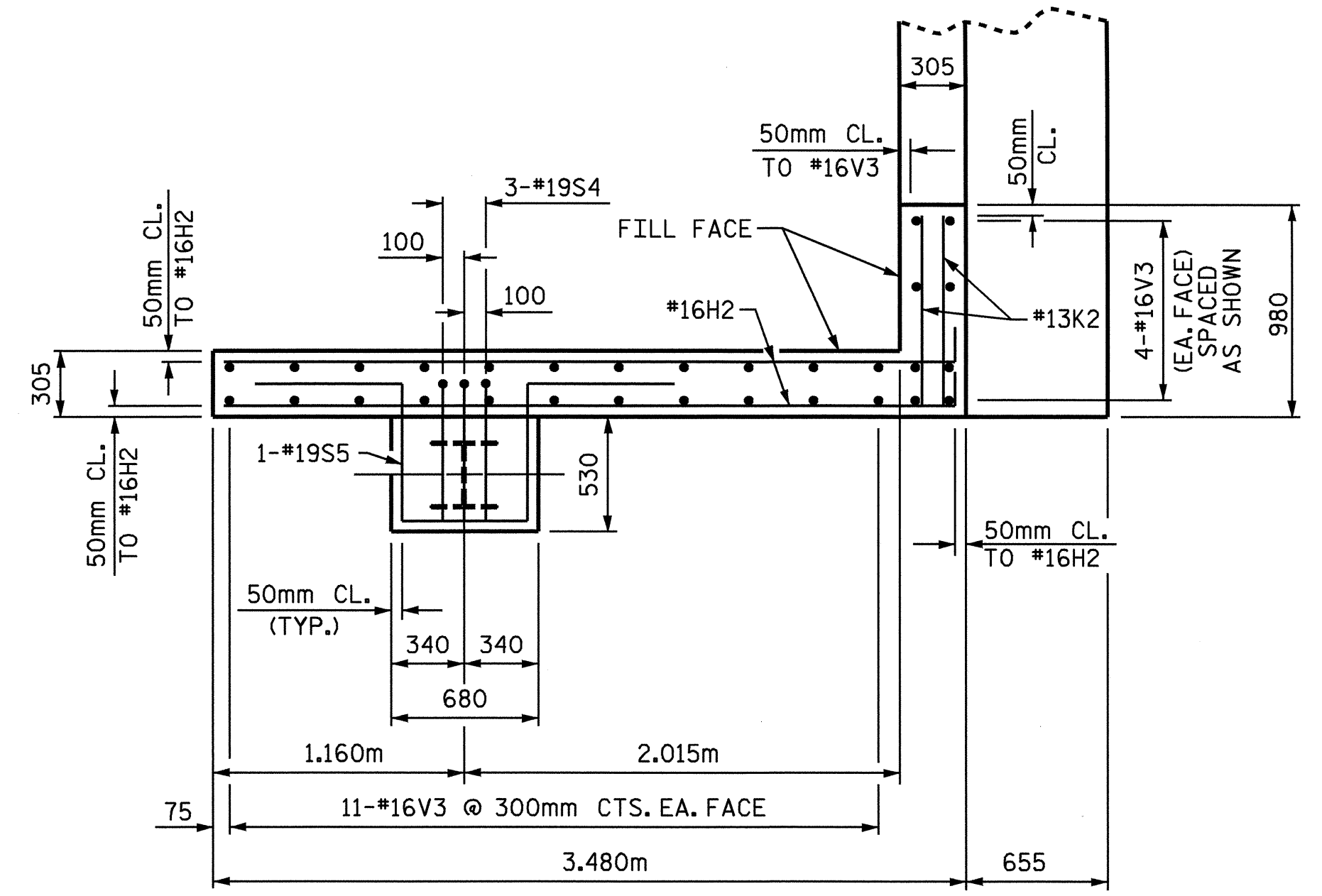


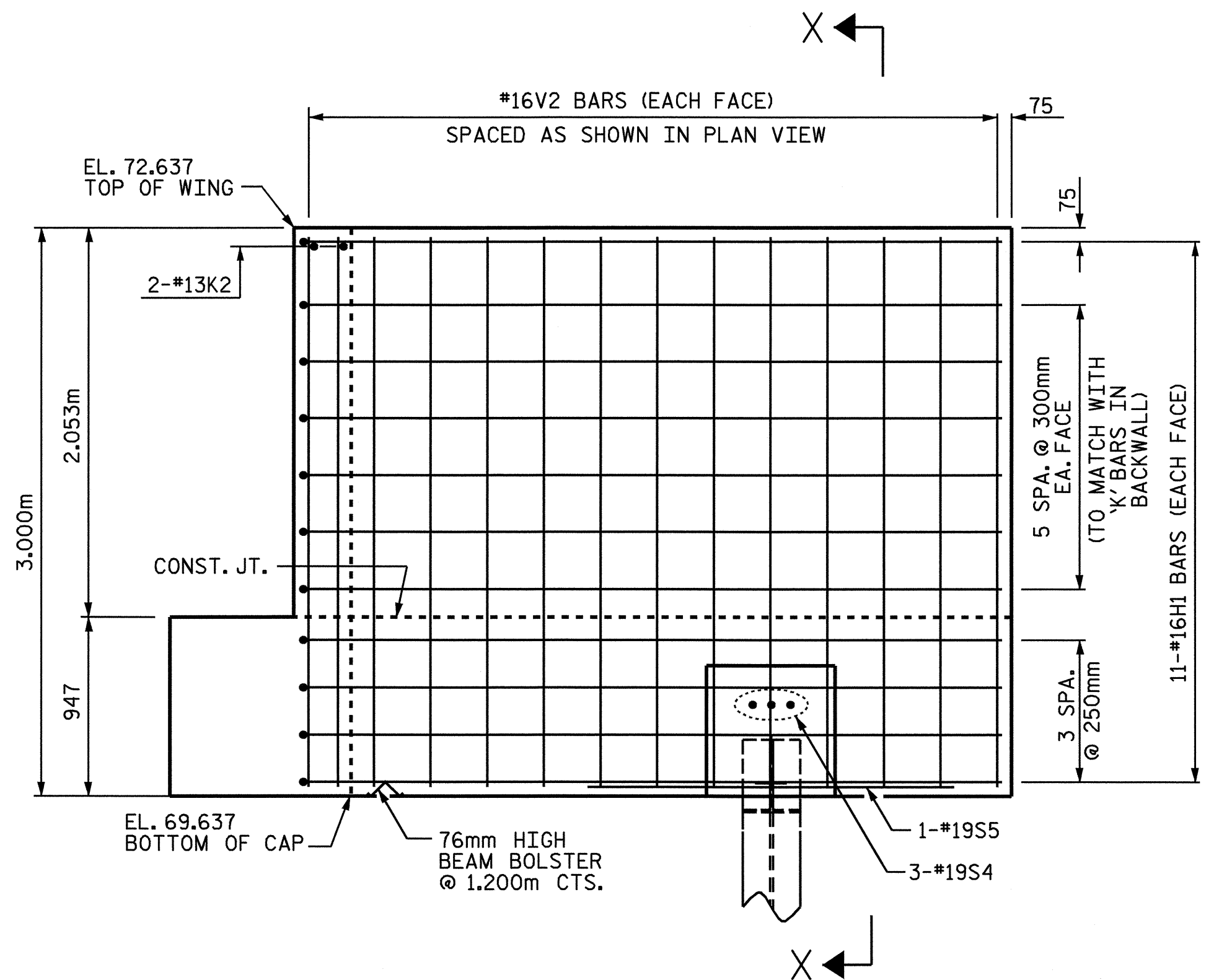
PLAN OF WING W1



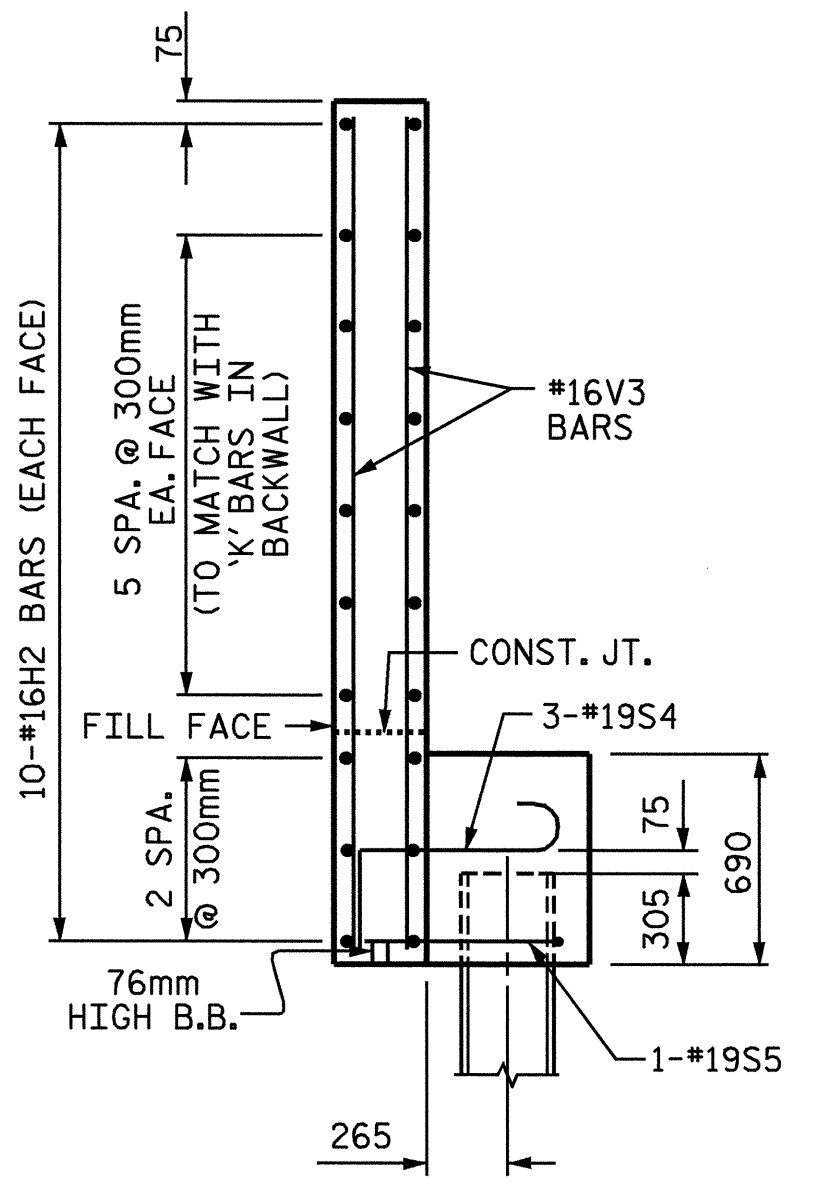
SECTION X-X



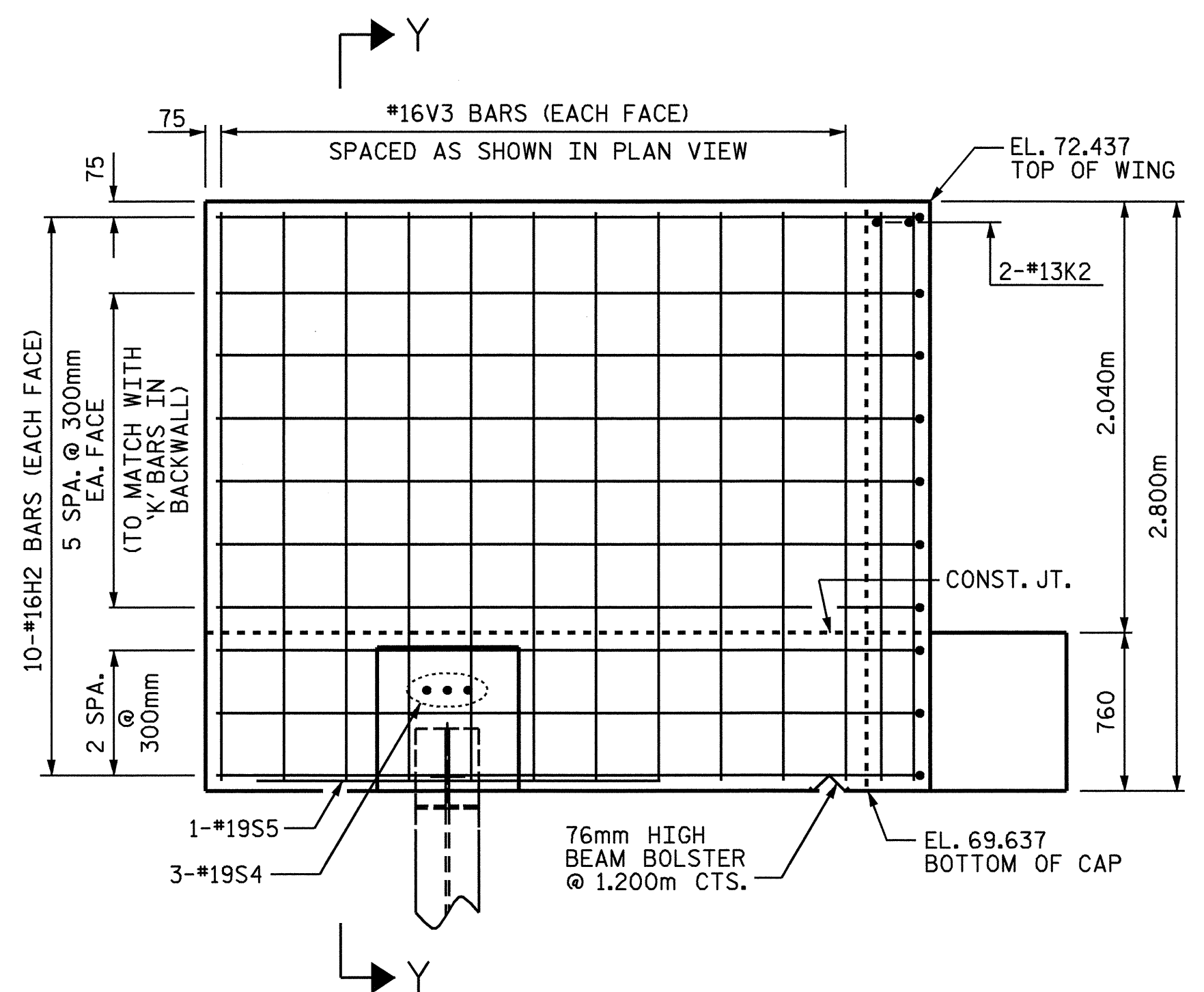
PLAN OF WING W2



ELEVATION OF WING W1



SECTION Y-Y

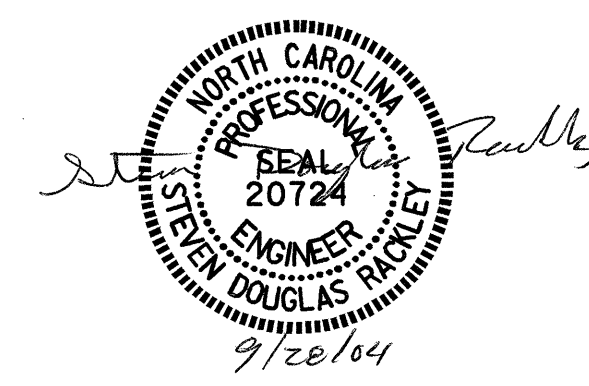


ELEVATION OF WING W2

PROJECT NO. B-3376
 WAKE COUNTY
 STATION 12+90.000 -L-

SHEET 2 OF 3

STATE OF NORTH CAROLINA
 DEPARTMENT OF TRANSPORTATION
 RALEIGH
 SUPERSTRUCTURE
 END BENT #1



DRAWN BY: Keith D. Layne DATE: 6-22-04
 CHECKED BY: H. A. L. DATE: 6-28-04

REVISIONS						SHEET NO.	
NO.	BY:	DATE:	NO.	BY:	DATE:	S-14	
1			3			TOTAL SHEETS	
2			4			23	