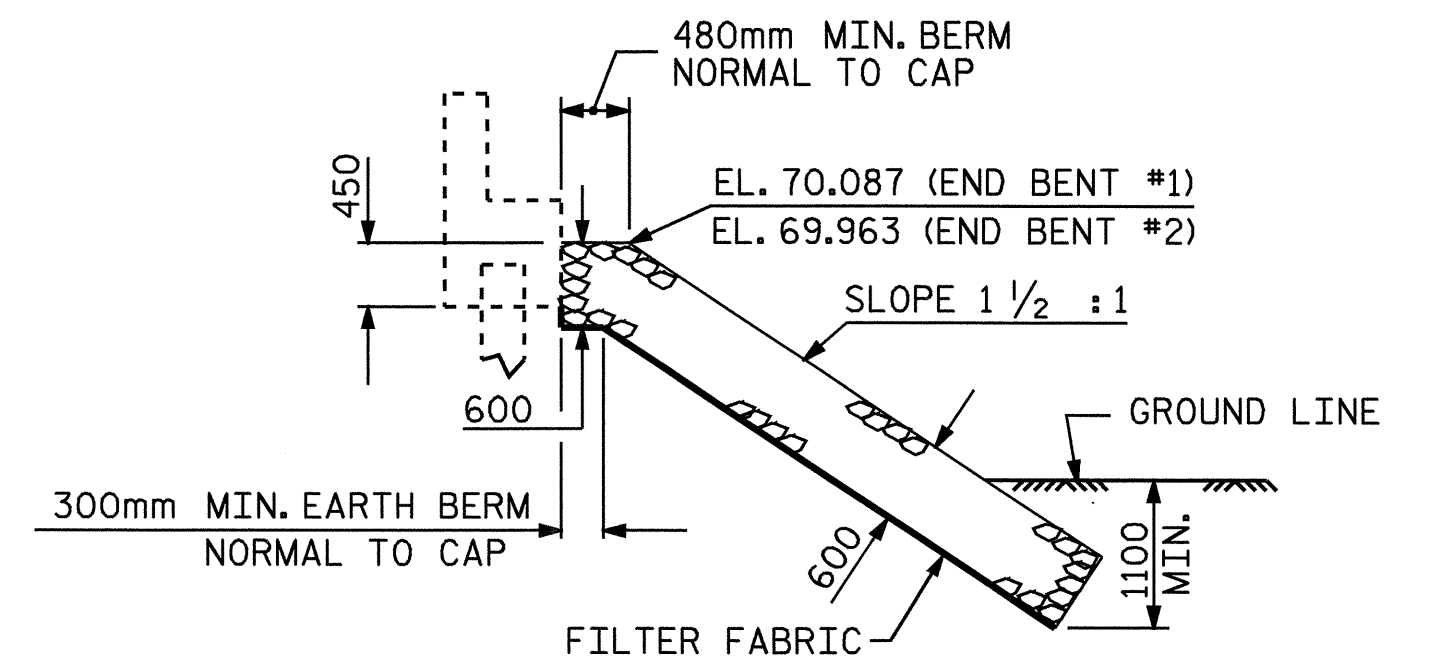


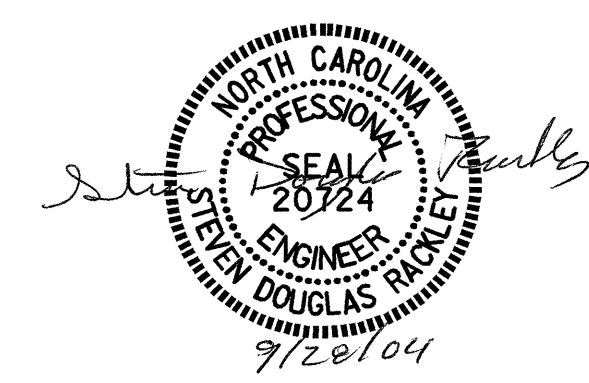
PLAN OF RIP RAP



SECTION BERM RIP RAPPED

ESTIMATED QUANTITIES		
BRIDGE @ STA. 12+90.000 -L-	PLAIN RIP RAP CLASS II	FILTER FABRIC FOR DRAINAGE
	METRIC TON	SQUARE METERS
END BENT #1	200	204
END BENT #2	205	209

PROJECT NO. B-3376  
WAKE COUNTY  
 STATION: 12+90.000 -L-



STATE OF NORTH CAROLINA  
 DEPARTMENT OF TRANSPORTATION  
 RALEIGH

**RIP RAP DETAILS**

DRAWN BY: J.P. ADAMS DATE: 6/15/04  
 CHECKED BY: D. PLATICA DATE: 8/2/04

28-SEP-2004 15:07  
 W:\squads\B3376\FinalPlans\B-3376\_sd\_RR\_01.dgn  
 srackley

REVISIONS						SHEET NO.
NO.	BY:	DATE:	NO.	BY:	DATE:	S-19
1			3			TOTAL SHEETS
2			4			23