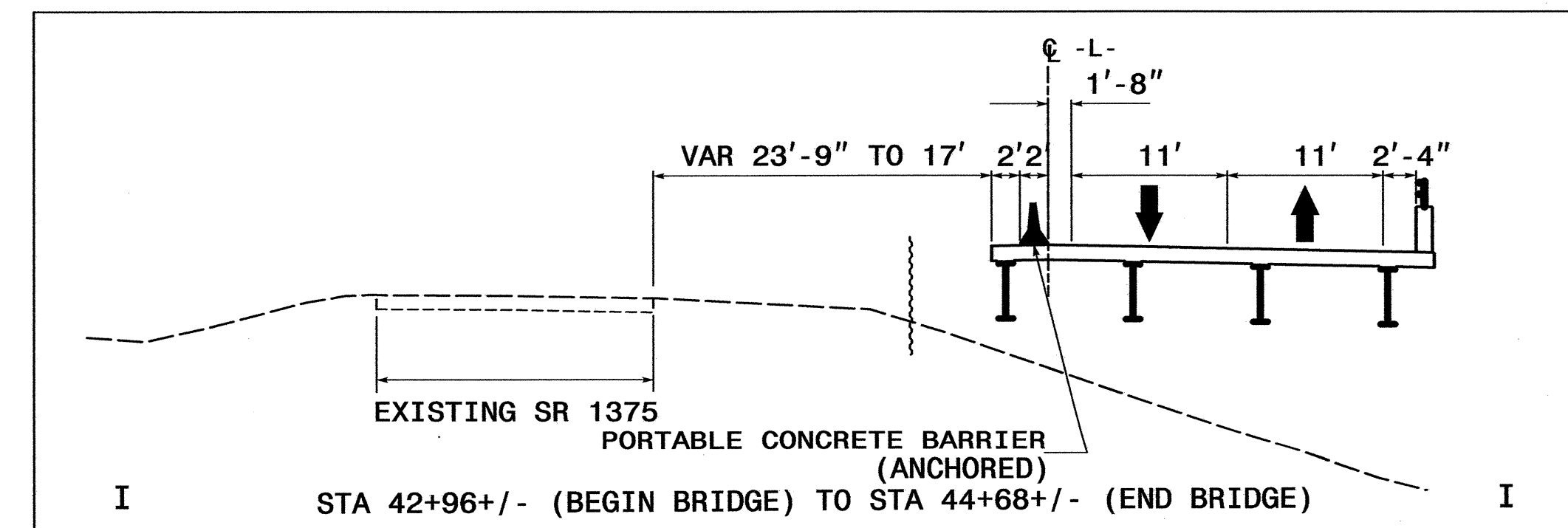
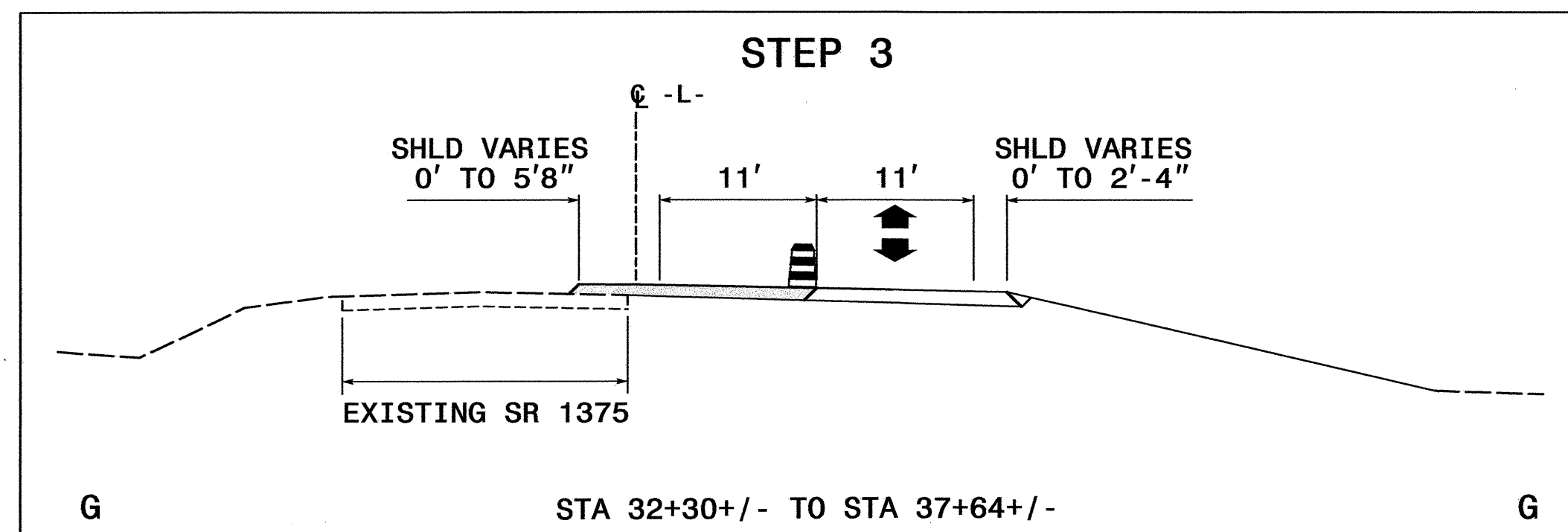
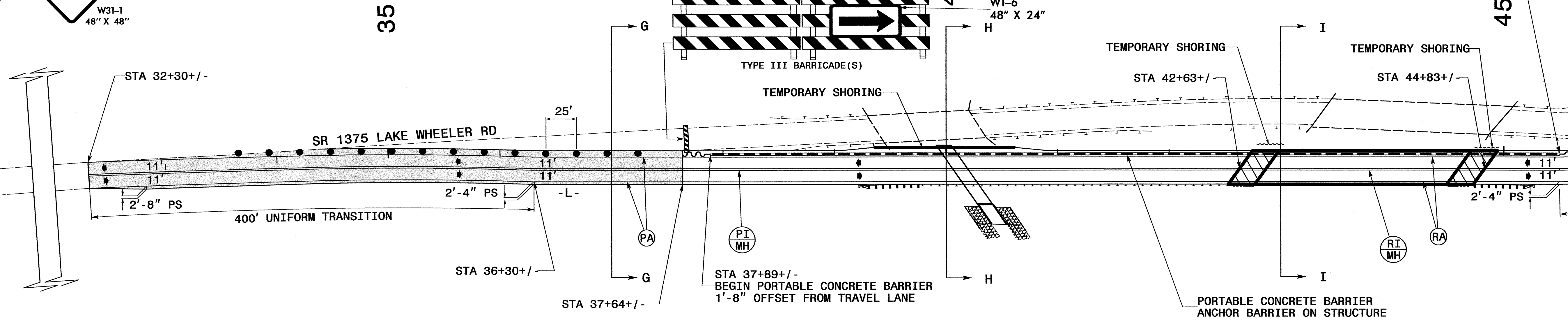
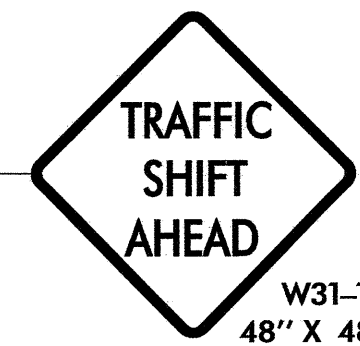
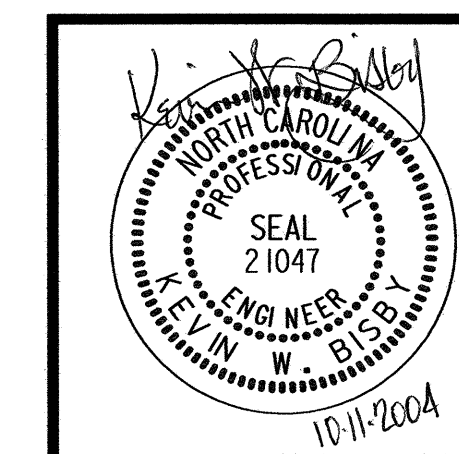


LOCATE SIGN APPROXIMATELY 400'  
 IN ADVANCE OF STA 32+30+/-



SEE TCP-1A FOR TEMPORARY PAVEMENT MARKING SCHEDULE



**PHASE II - STEPS 2 AND 3**

|              |        |  |           |
|--------------|--------|--|-----------|
| SCALE:       | NONE   |  | REVISIONS |
| DATE:        | 4/2004 |  |           |
| DWG. BY:     | KWB    |  |           |
| DESIGN BY:   | KWB    |  |           |
| REVIEWED BY: | TRH    |  |           |