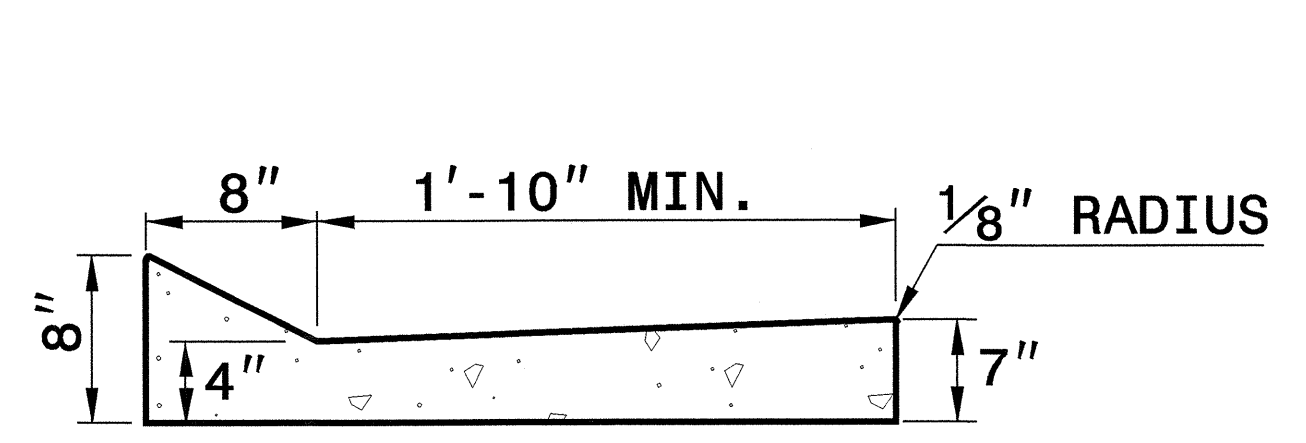
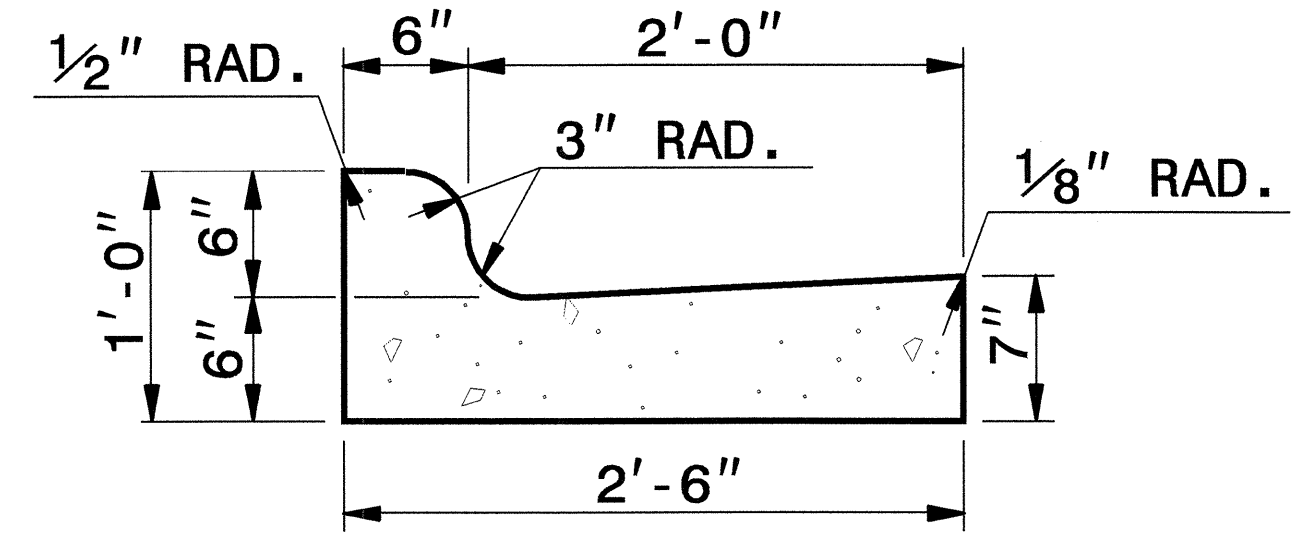


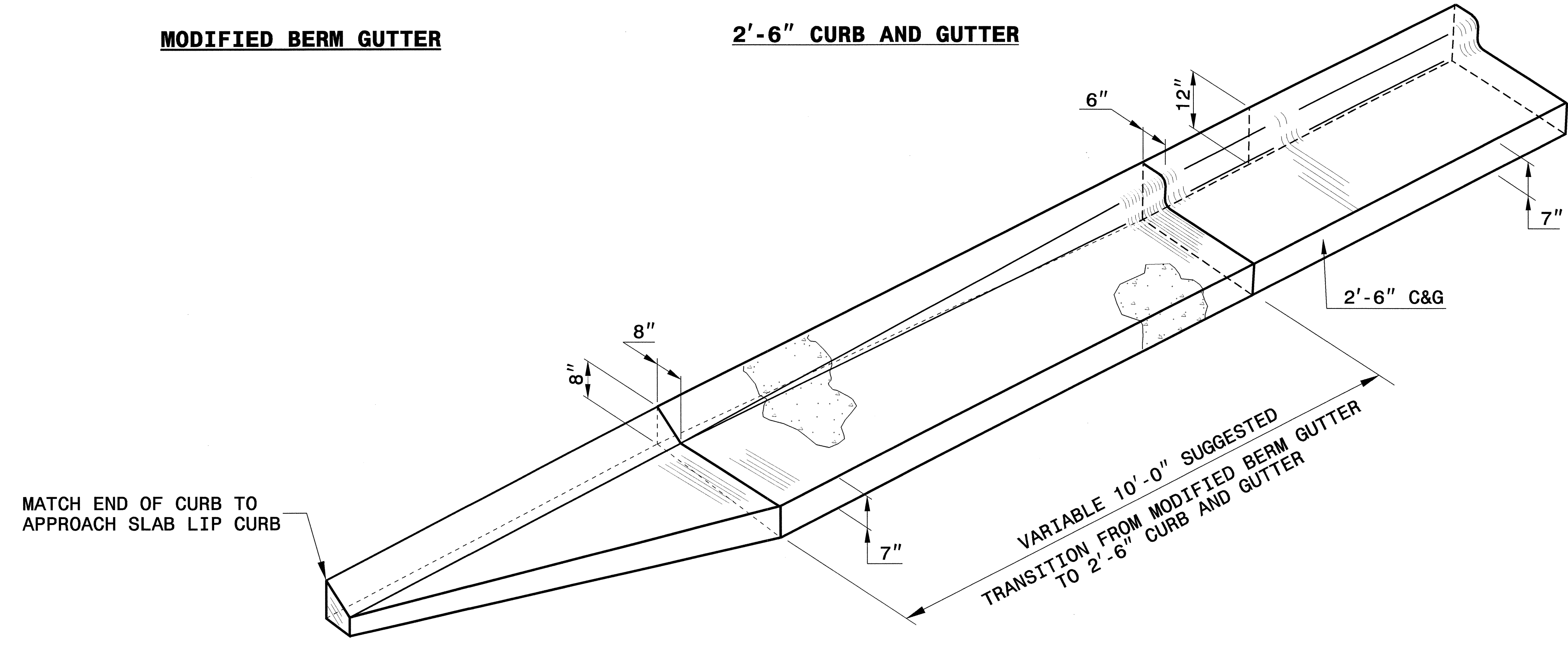
*NOTE: SEE STD. DWG. 846.01
FOR GENERAL NOTES



MODIFIED BERM GUTTER



2'-6" CURB AND GUTTER



ISOMETRIC VIEW OF TRANSITION

NORTH CAROLINA
PROFESSIONAL
SEAL
022966
ENGINEER
D. S. HOWERTON
11/23/04

**DESIGN SERVICES UNIT
STANDARDS AND SPECIAL DESIGN**
Office 919-250-4128 FAX 919-250-4119

**DETAIL OF SHOULDER BERM GUTTER
TO 2'-6" CURB & GUTTER
TRANSITION SECTION**

ORIGINAL BY: _____ DATE: _____
 MODIFIED BY: T. Spell DATE: 09-30-04
 CHECKED BY: _____ DATE: 9/30/04
 FILE SPEC.: _____

5/14/04
30-SEP-2004 15:12
tspell\std\stand\cgtransit.dgn
tspell 05/20/04