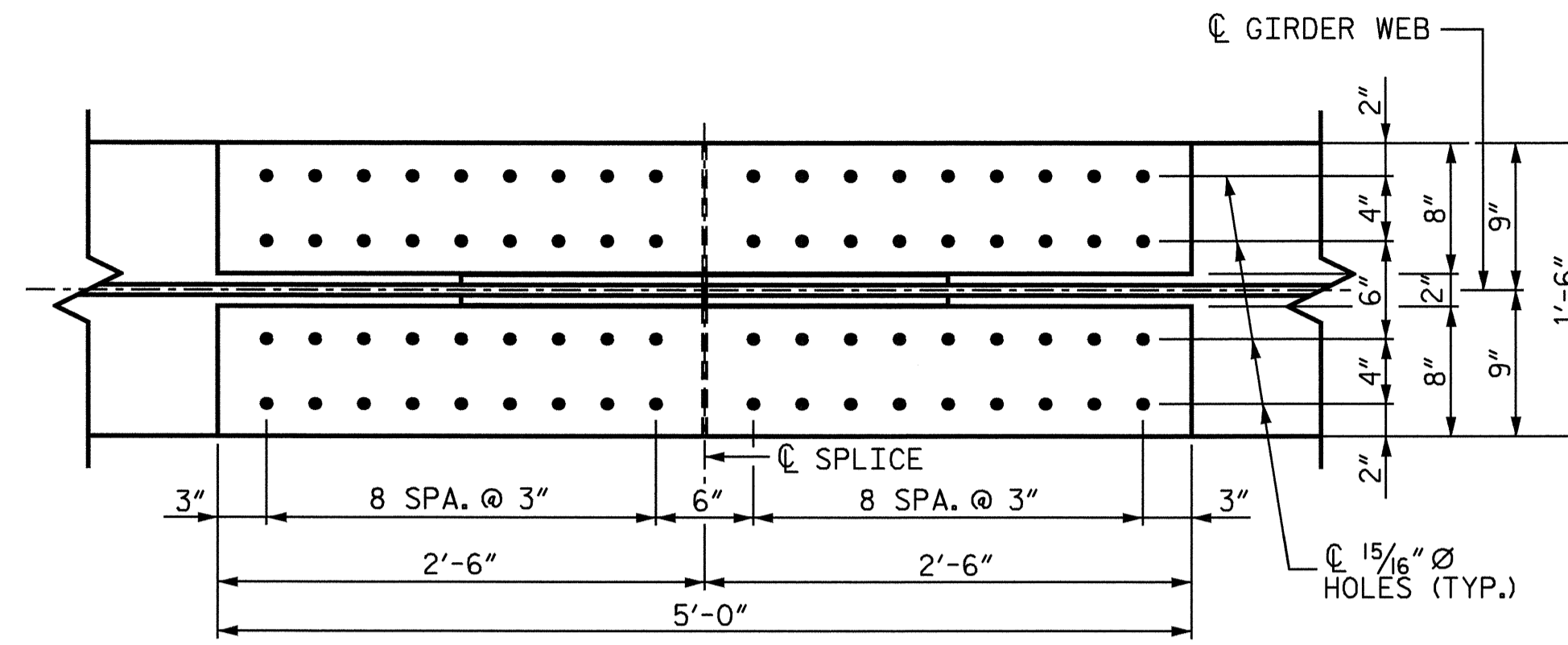
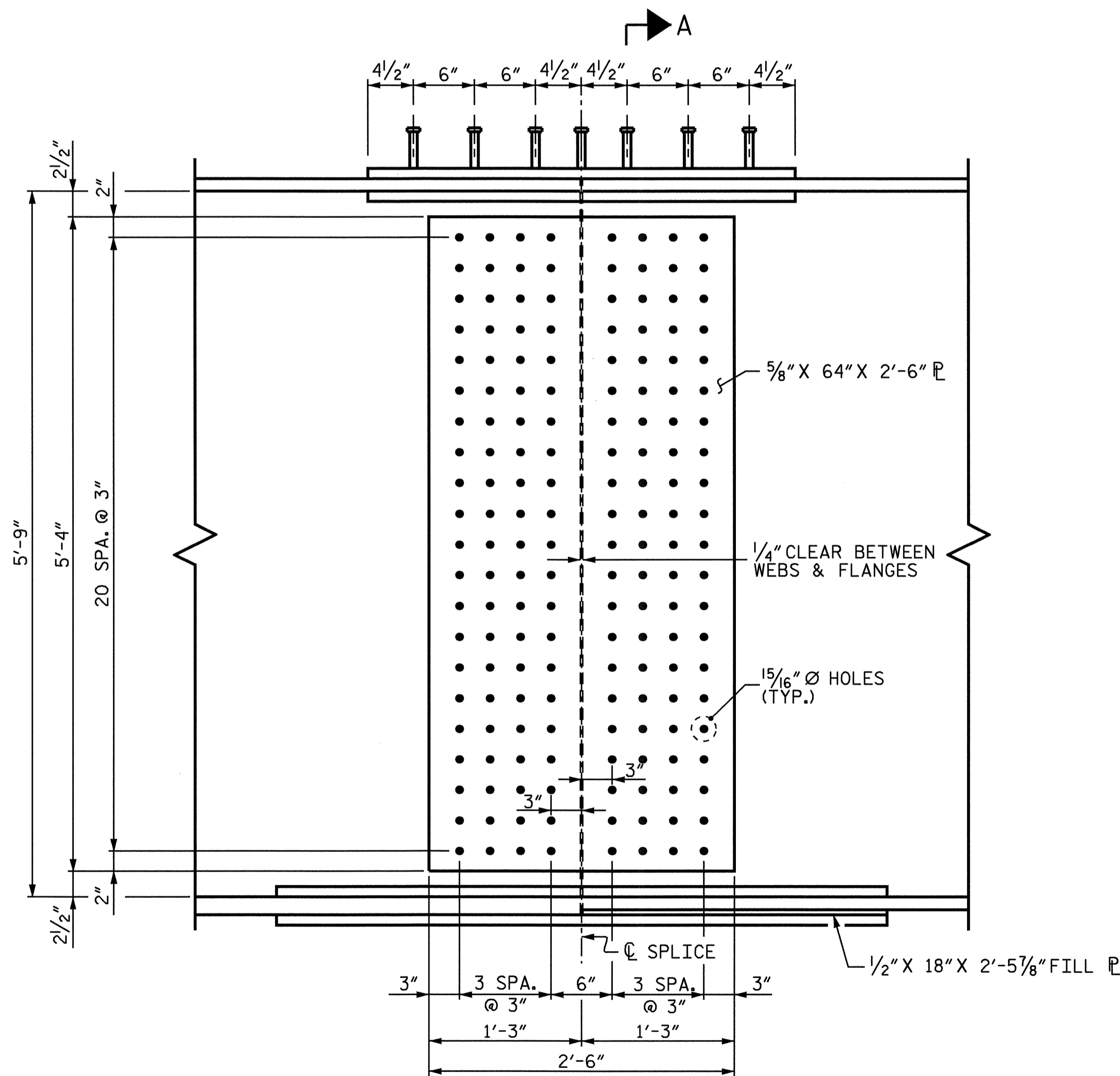


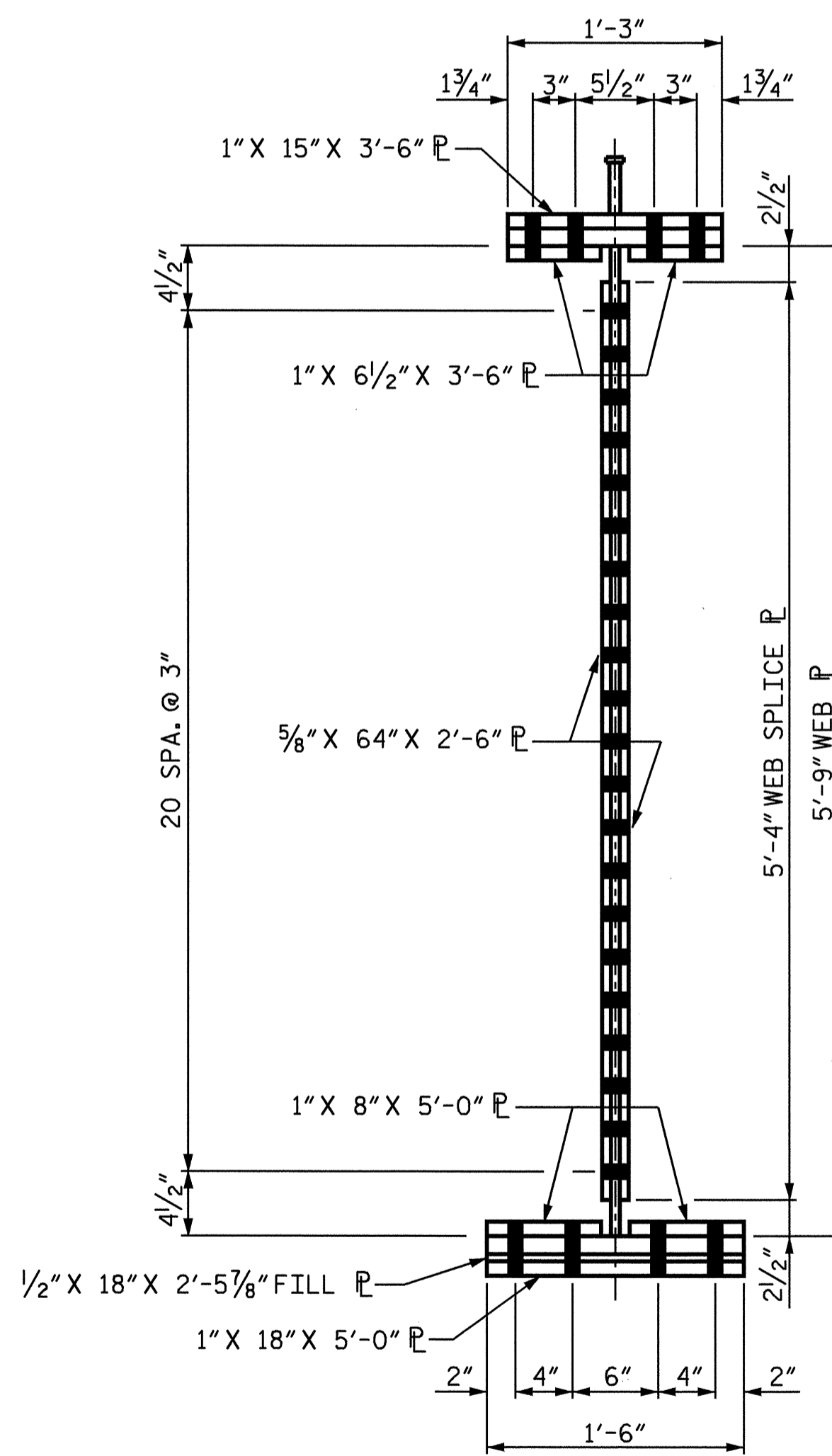
PLAN (TOP OF TOP FLANGE)



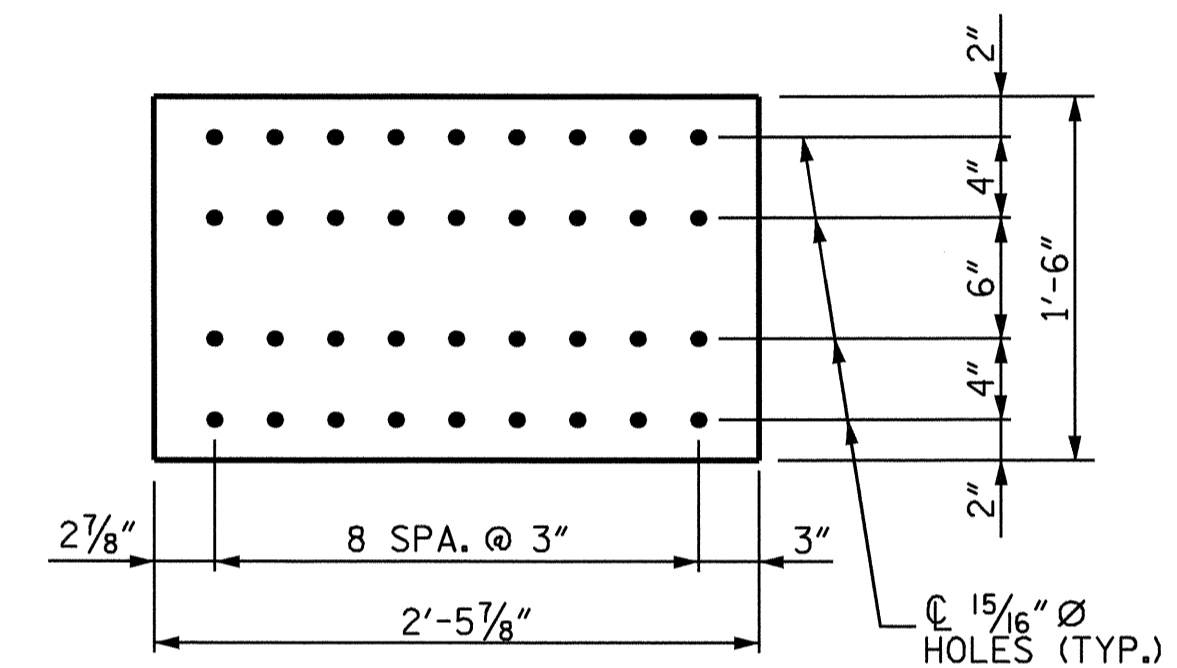
PLAN (TOP OF BOTTOM FLANGE)



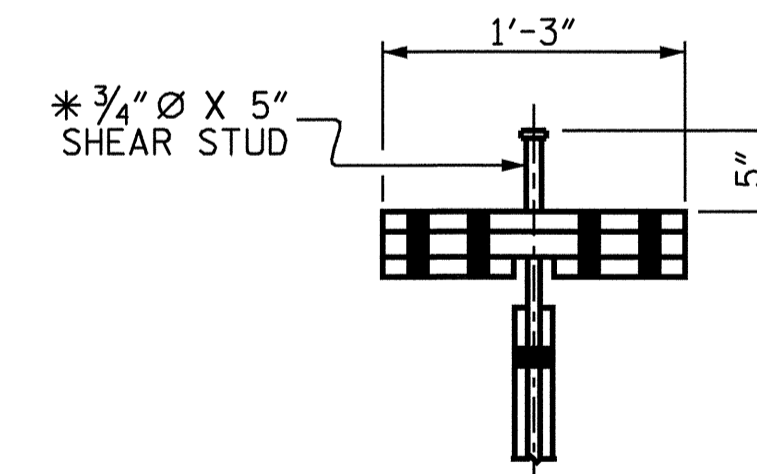
ELEVATION



SECTION A-A



FILLER PLATE (BOTTOM FLANGE)



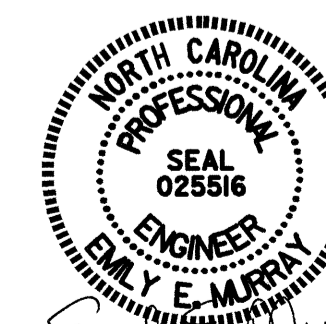
SHEAR STUD DETAIL FOR TOP FLANGE SPLICE PLATE

* SHEAR STUDS ARE TO BE SHOP WELDED ON TOP OF PLATE BEFORE FIELD ASSEMBLY.

PROJECT NO. B-3375
WAKE COUNTY
 STATION: 43+81.84 -L-

SHEET 3 OF 3

STATE OF NORTH CAROLINA
 DEPARTMENT OF TRANSPORTATION
 RALEIGH
 SUPERSTRUCTURE
 STRUCTURAL STEEL
 BOLTED FIELD SPLICE
 DETAILS



Emily E. Murphy
 12/17/04

REVISIONS						SHEET NO.	
NO.	BY:	DATE:	NO.	BY:	DATE:	S-14	
1			3			TOTAL SHEETS	
2			4			37	

DRAWN BY : M. M. PARSONS DATE : 9/30/04
 CHECKED BY : W. D. CRUTCHER DATE : 10/04

16-DEC-2004 15:32
 w:\squadd\B3375\Final Plans\str *1\B3375.ed.SS_01.dgn
 derutcher