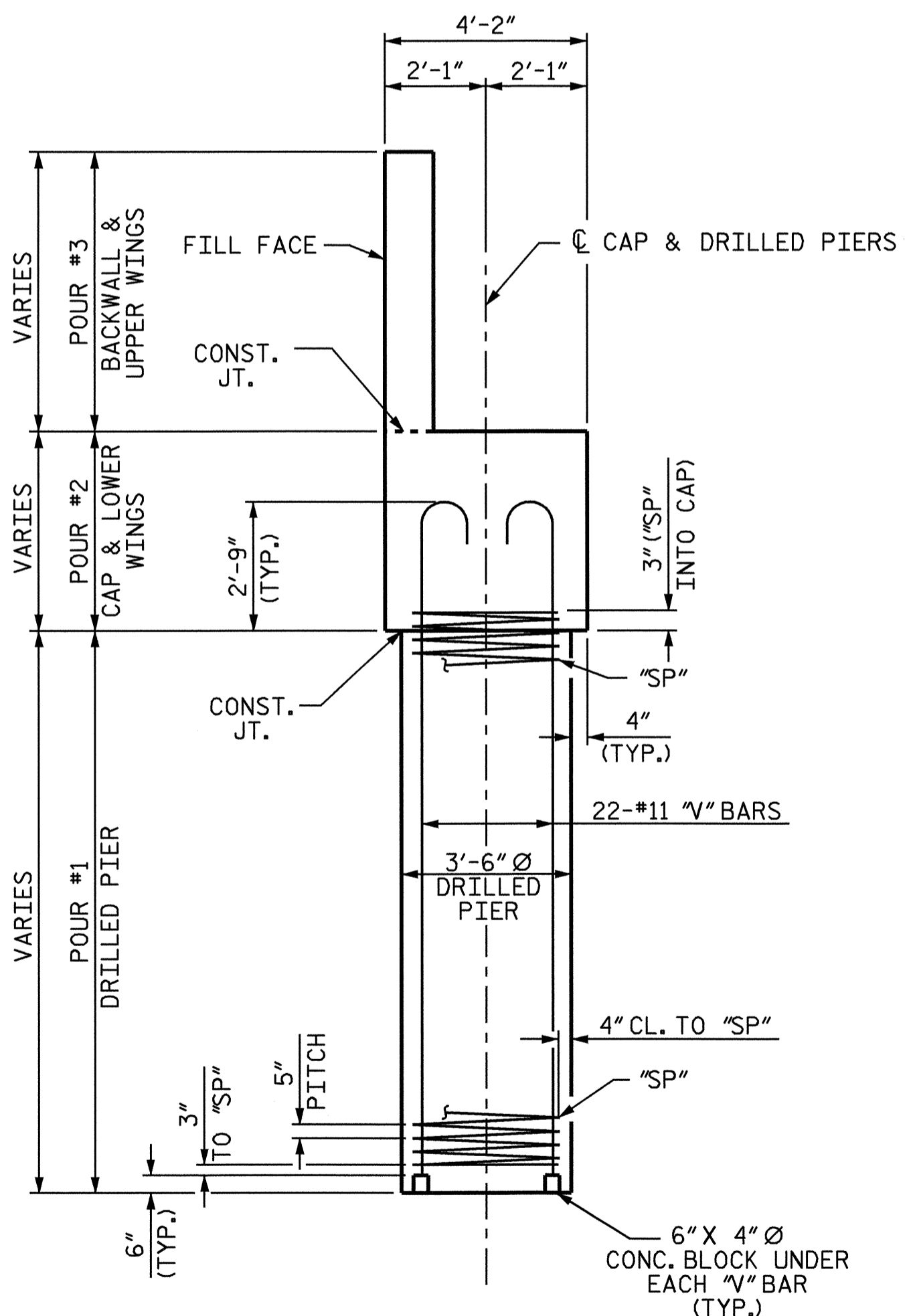
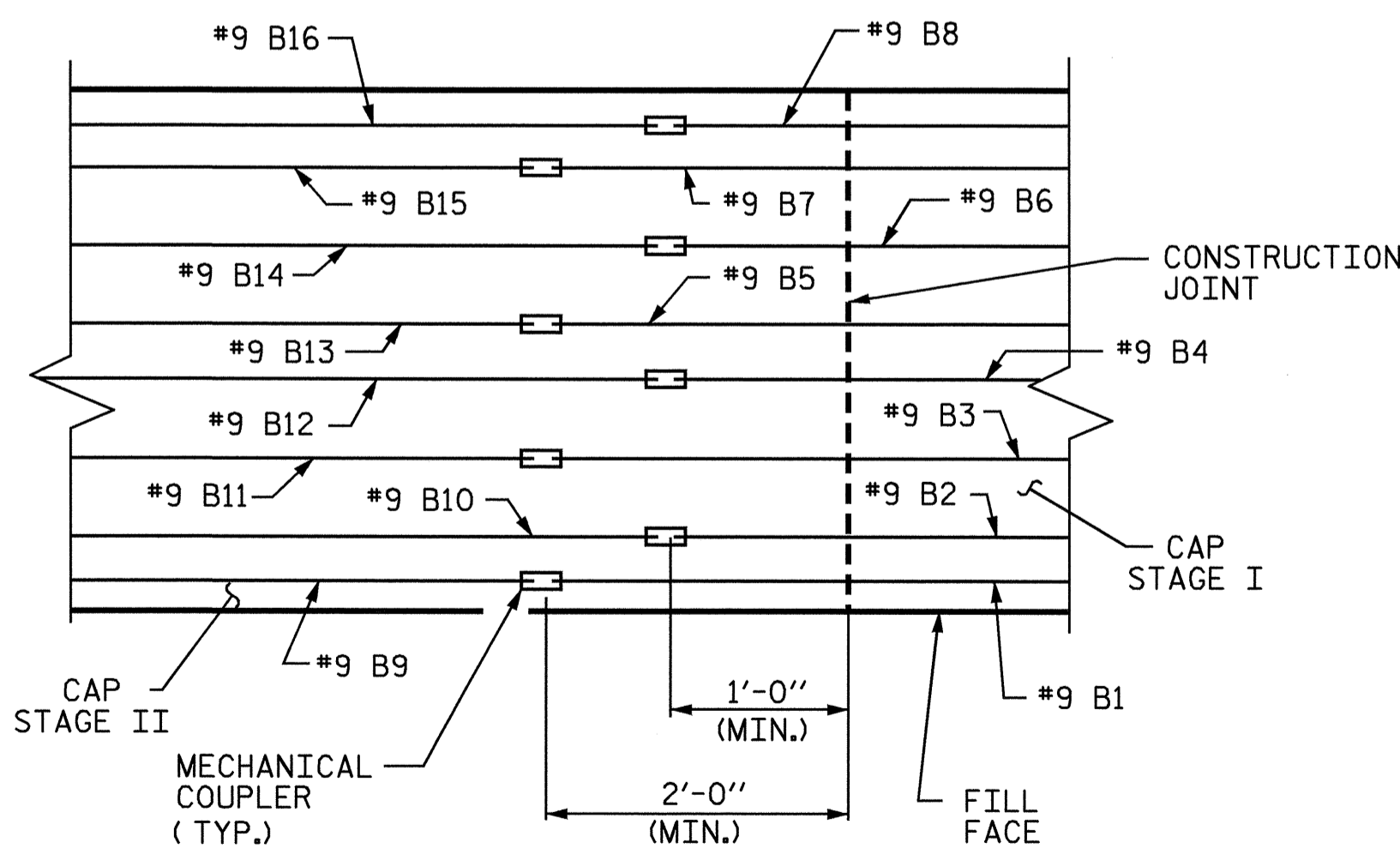


PLAN OF DRILLED PIERS

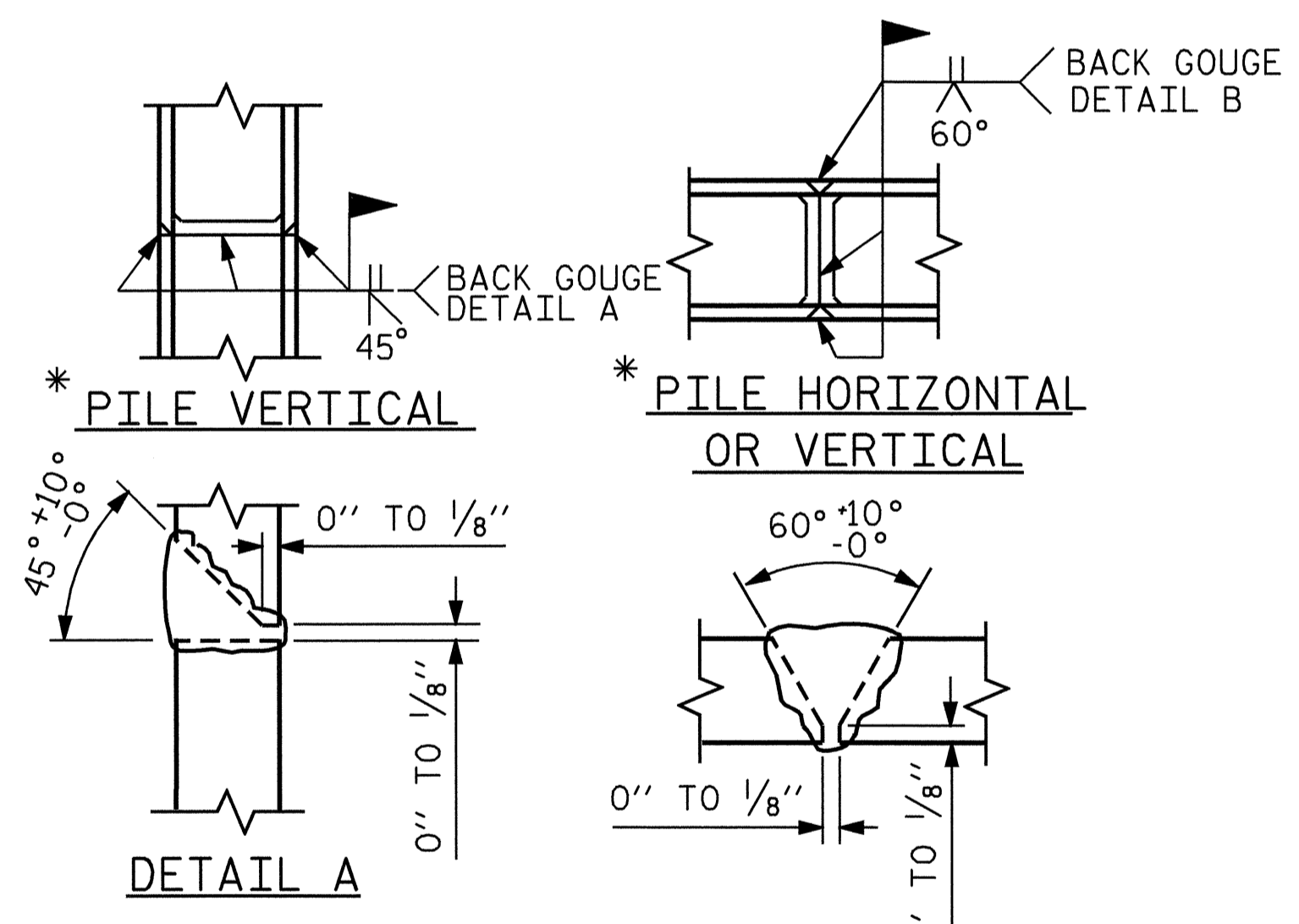


SECTION C-C
INFORMATION IS TYPICAL FOR ALL DRILLED PIERS

DRILLED PIER	LENGTH
PIER #1	32'-4"
PIER #2	32'-0"
PIER #3	31'-8"
PIER #4	31'-4"
PIER #5	31'-0"
PIER #6	30'-8"



MECHANICAL COUPLER STAGGER DETAIL
FOR TOP & BOTTOM MAIN STEEL



PILE SPLICE DETAILS

PROJECT NO. B-3375
WAKE COUNTY
STATION: 43+81.84 -L-

SHEET 3 OF 5

STATE OF NORTH CAROLINA
DEPARTMENT OF TRANSPORTATION
RALEIGH

SUBSTRUCTURE
END BENT #1

REVISIONS						SHEET NO.	
NO.	BY:	DATE:	NO.	BY:	DATE:	S-27	
1			3			TOTAL SHEETS	
2			4			37	

EMILY E. MARRAS
12/17/04

DRAWN BY: PEGGY ADKINS DATE: 9-04
CHECKED BY: W. D. CRUTCHER DATE: 11-04