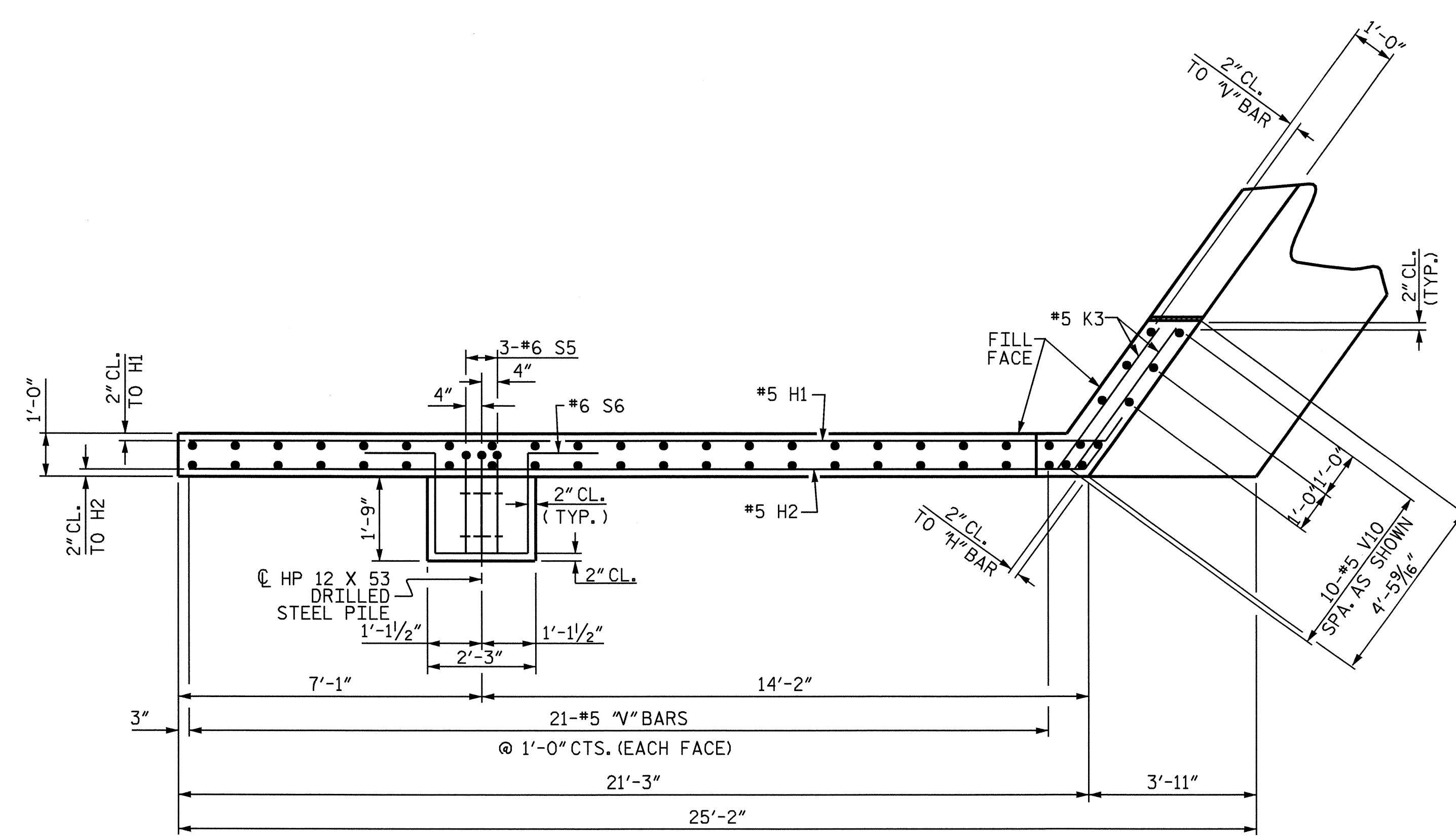
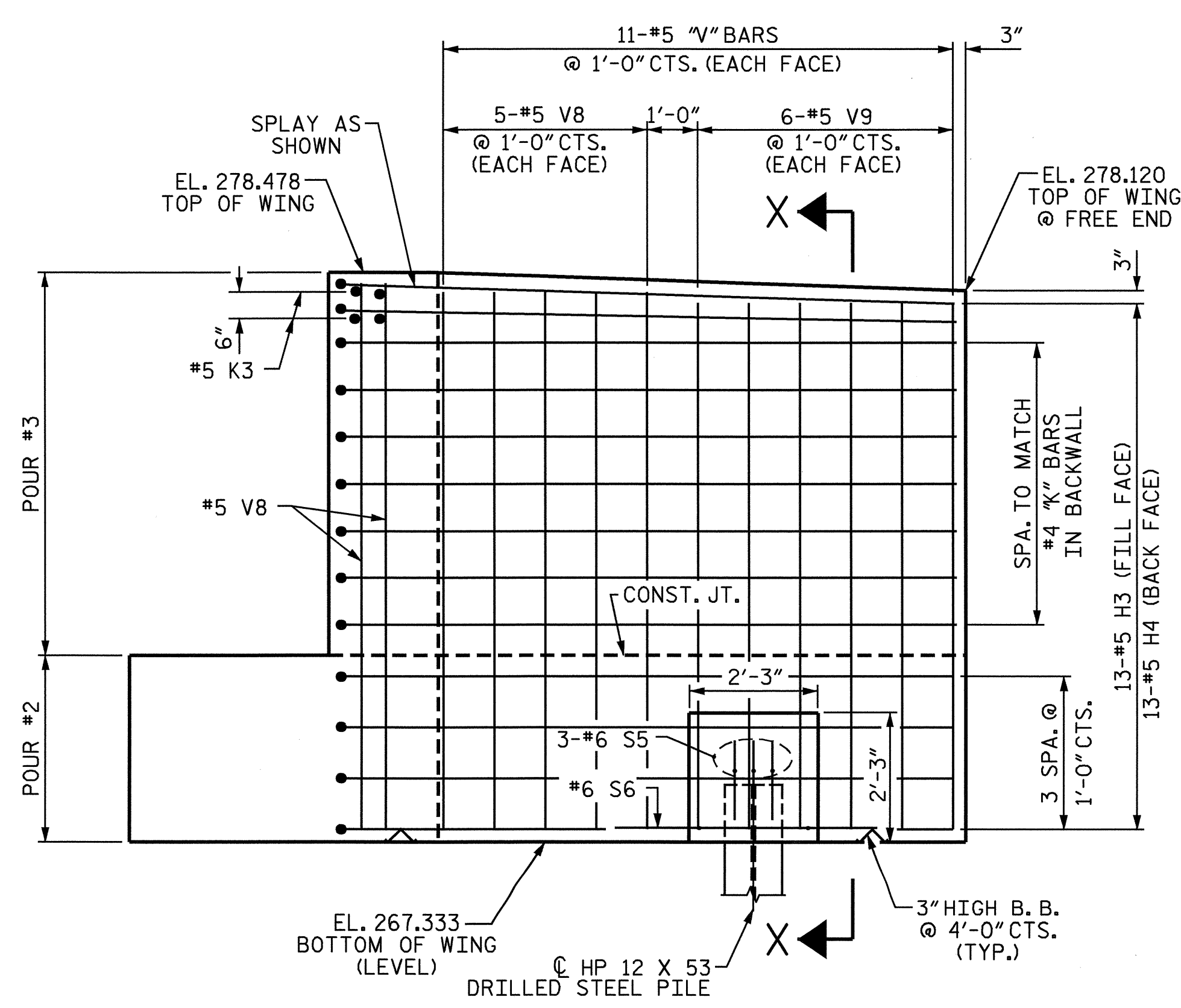


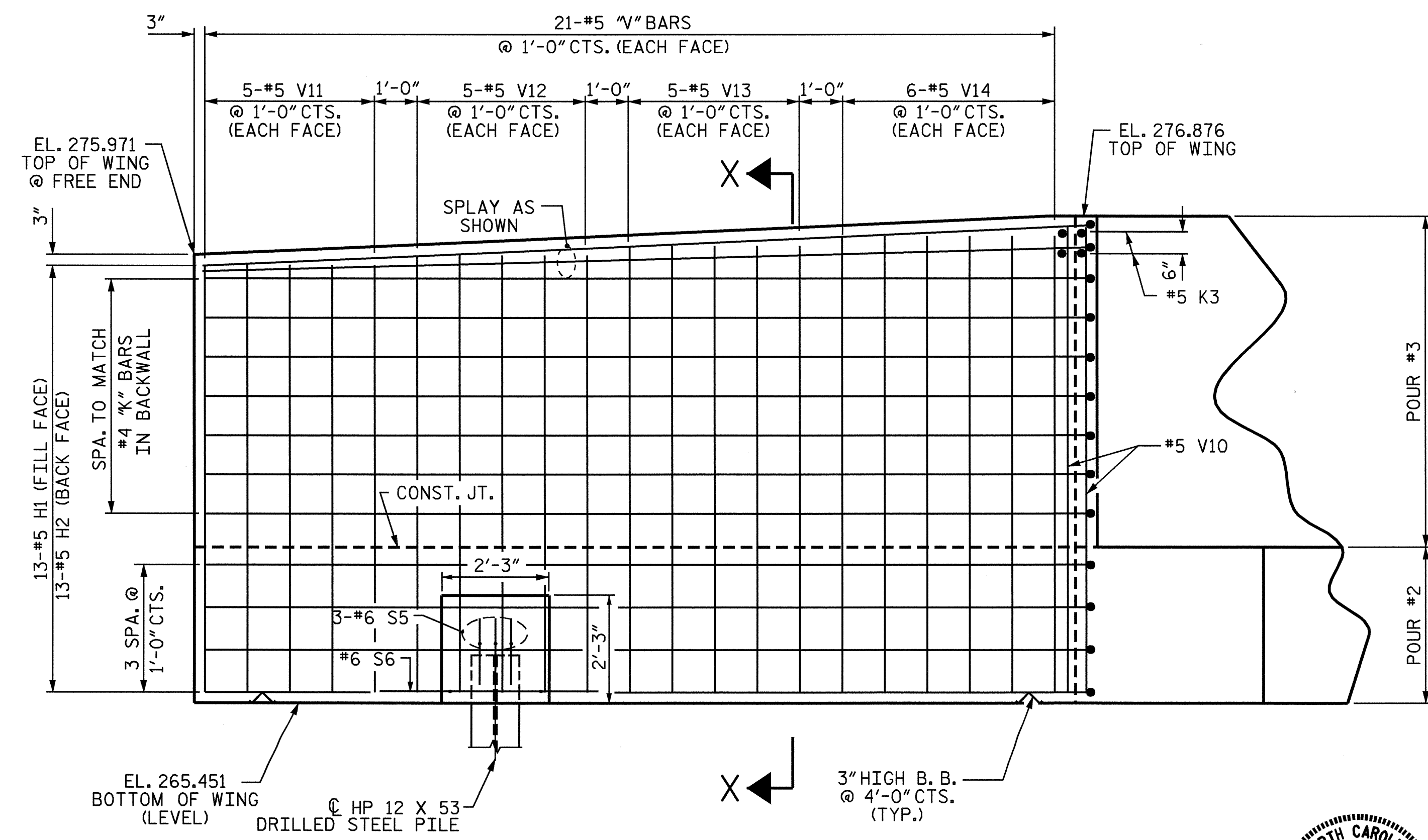
PLAN OF LEFT WING (W1)



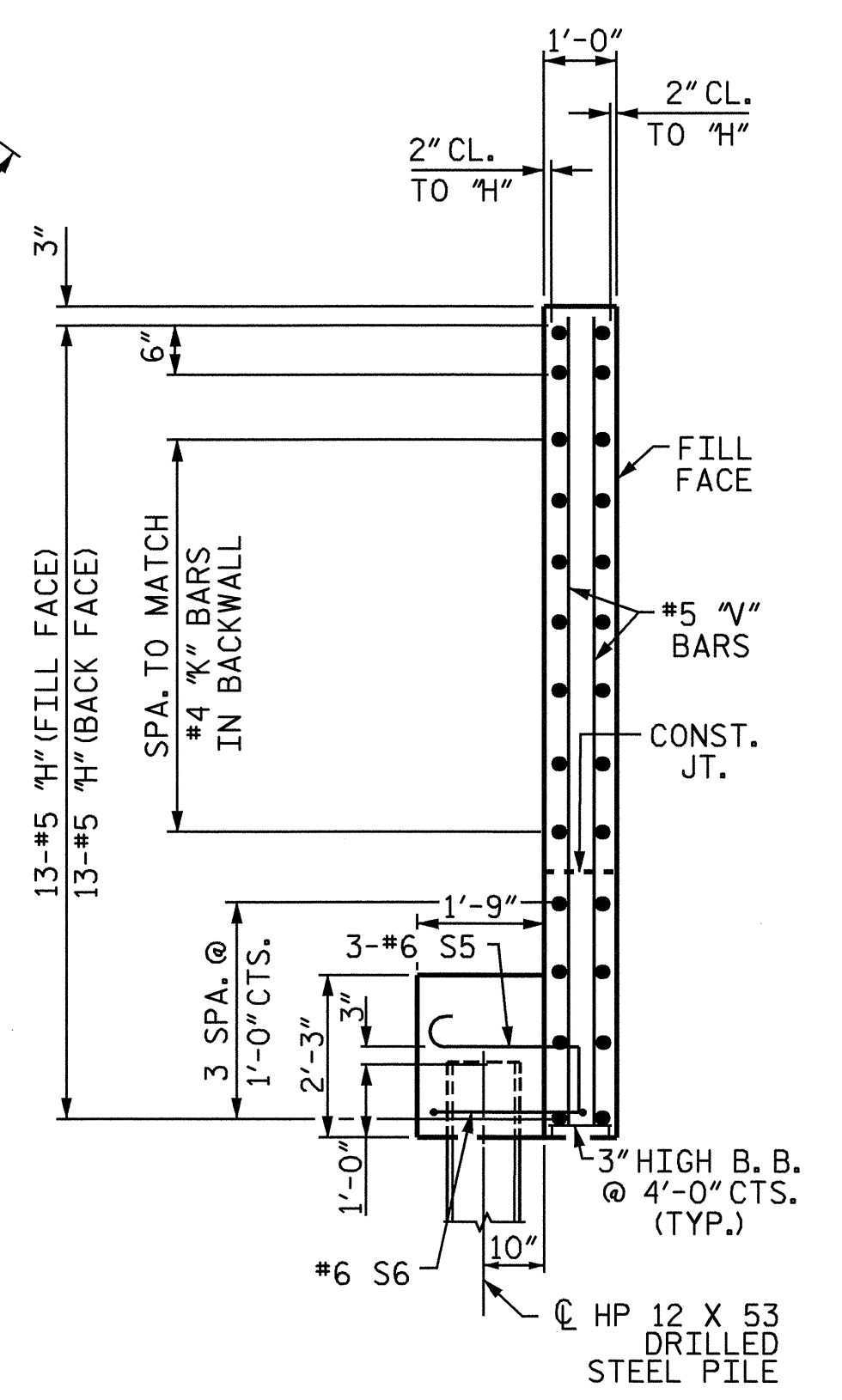
PLAN OF RIGHT WING (W2)



ELEVATION OF LEFT WING (W1)



ELEVATION OF RIGHT WING (W2)

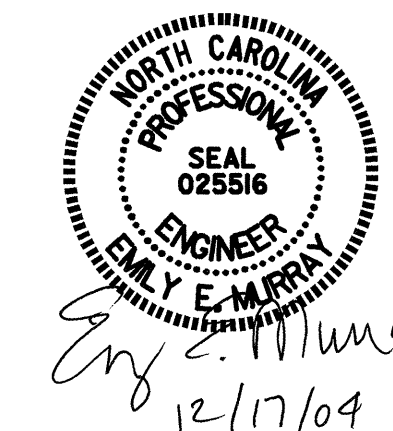


SECTION X-X

PROJECT NO. B-3375  
 WAKE COUNTY  
 STATION: 43+81.84 -L-

SHEET 4 OF 5

STATE OF NORTH CAROLINA  
 DEPARTMENT OF TRANSPORTATION  
 RALEIGH  
 SUBSTRUCTURE  
 END BENT #1



DRAWN BY: PEGGY ADKINS DATE: 9-04  
 CHECKED BY: W. D. CRUTCHER DATE: 11-04

REVISIONS						SHEET NO.	
NO.	BY:	DATE:	NO.	BY:	DATE:	S-28	
1			3			TOTAL SHEETS	
2			4			37	