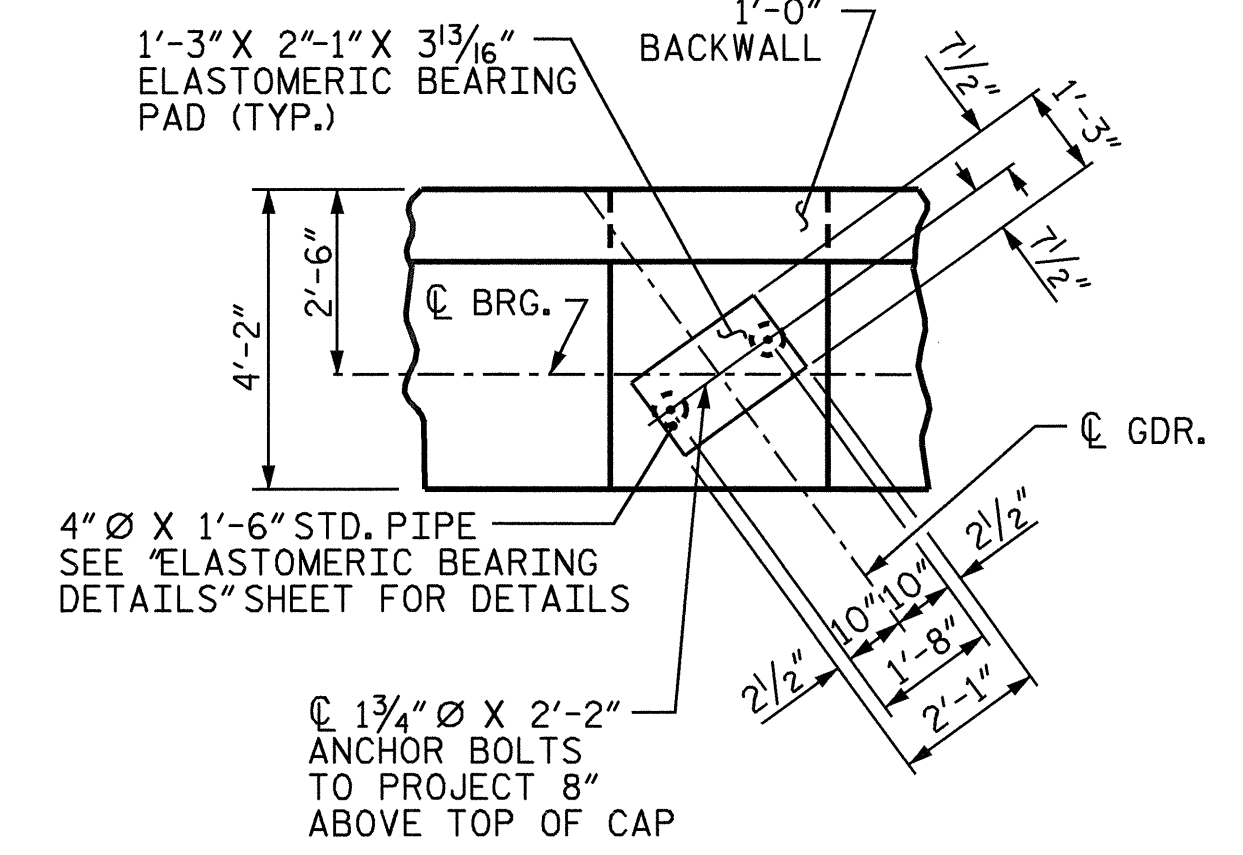
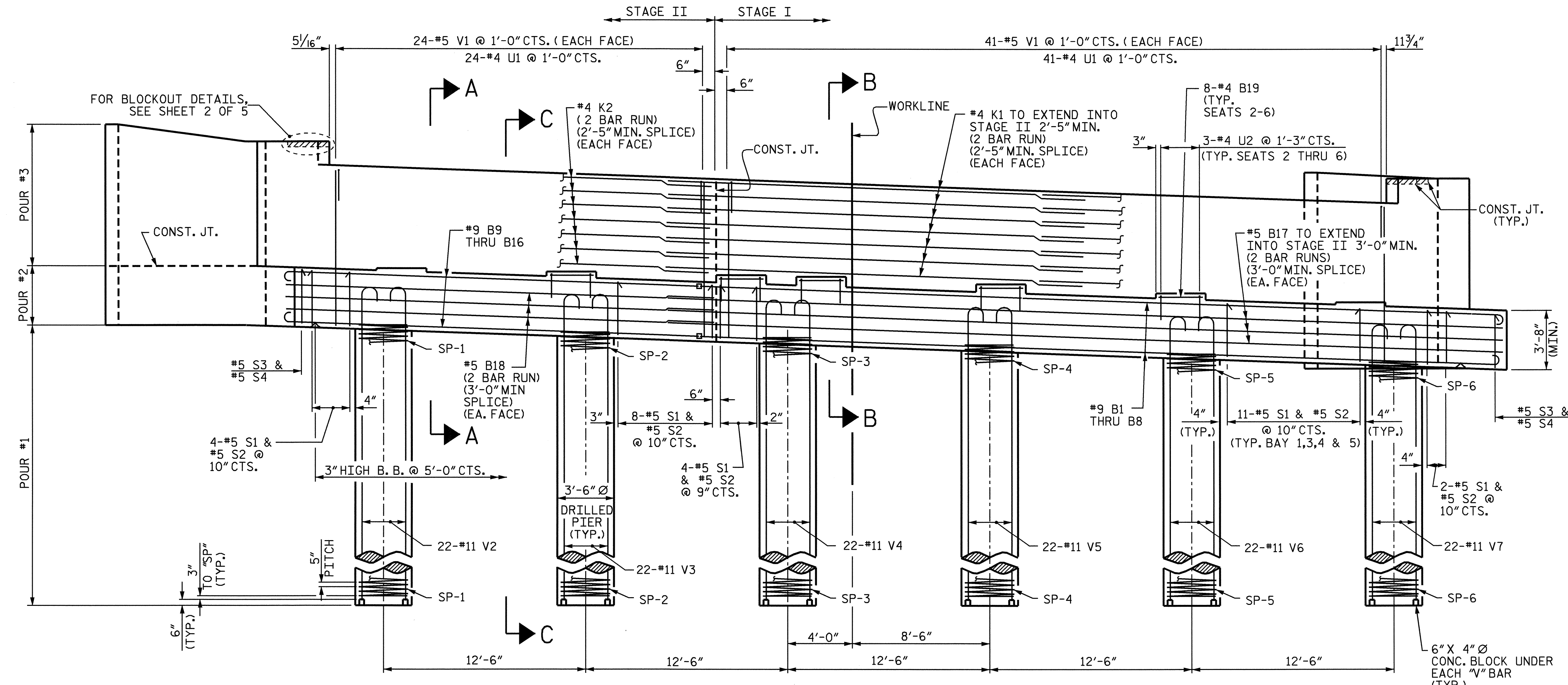


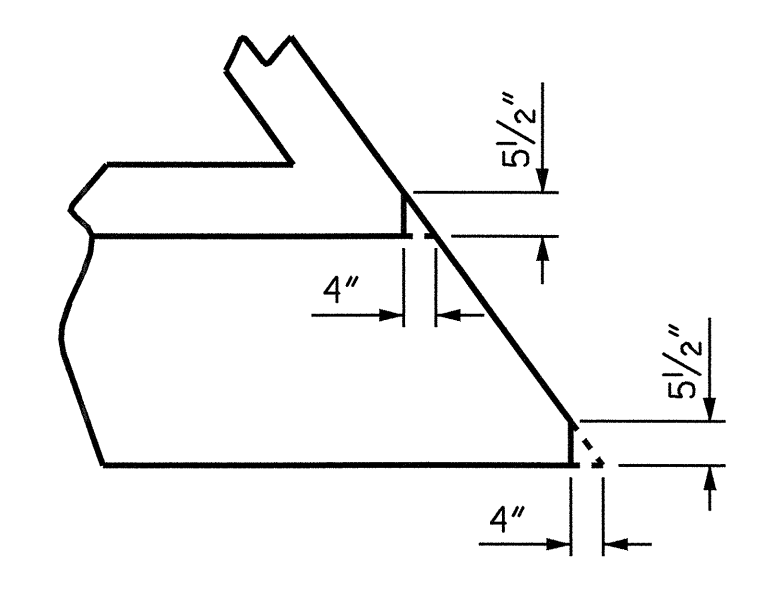
PLAN



DETAIL 'A'



ELEVATION

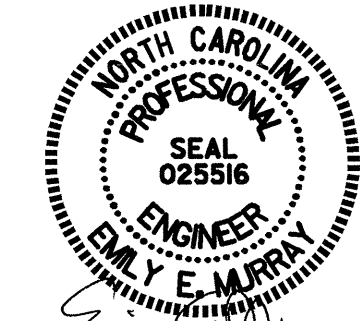


DETAIL 'B'

DRAWN BY: PEGGY ADKINS DATE: 9-04
 CHECKED BY: W. D. CRUTCHER DATE: 11-04

FOR MECHANICAL BUTT SPLICE, SEE "MECHANICAL COUPLER STAGGER DETAIL" SHEET 3 OF 5.

SEE SHEET 2 OF 5 FOR END BENT #2 ELEVATIONS.



PROJECT NO. B-3375
 WAKE COUNTY
 STATION: 43+81.84 -L-

SHEET 1 OF 5

STATE OF NORTH CAROLINA DEPARTMENT OF TRANSPORTATION RALEIGH					
SUBSTRUCTURE END BENT #2					
REVISIONS					
NO.	BY:	DATE:	NO.	BY:	DATE:
1			3		
2			4		

SHEET NO. S-30
 TOTAL SHEETS 37