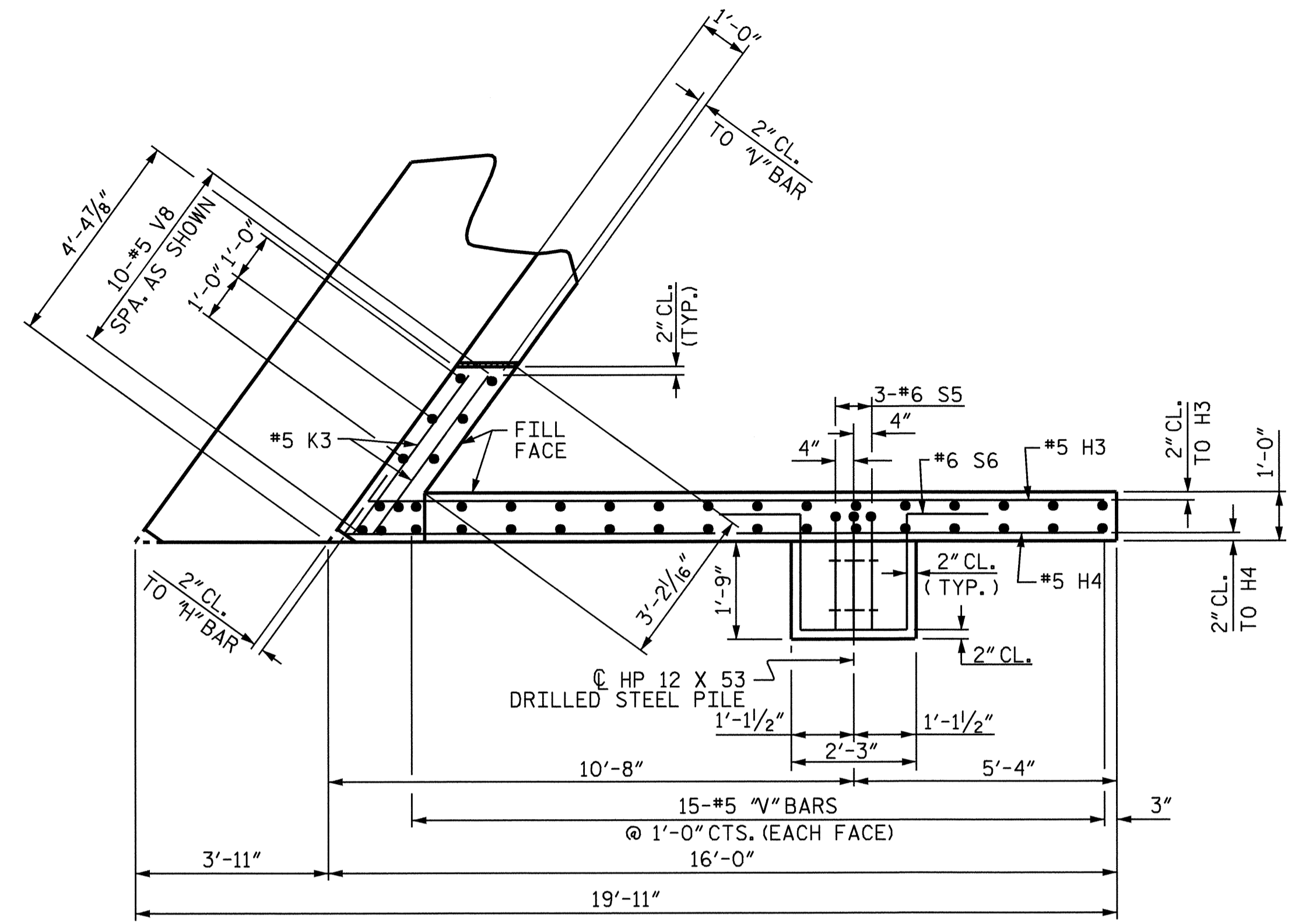
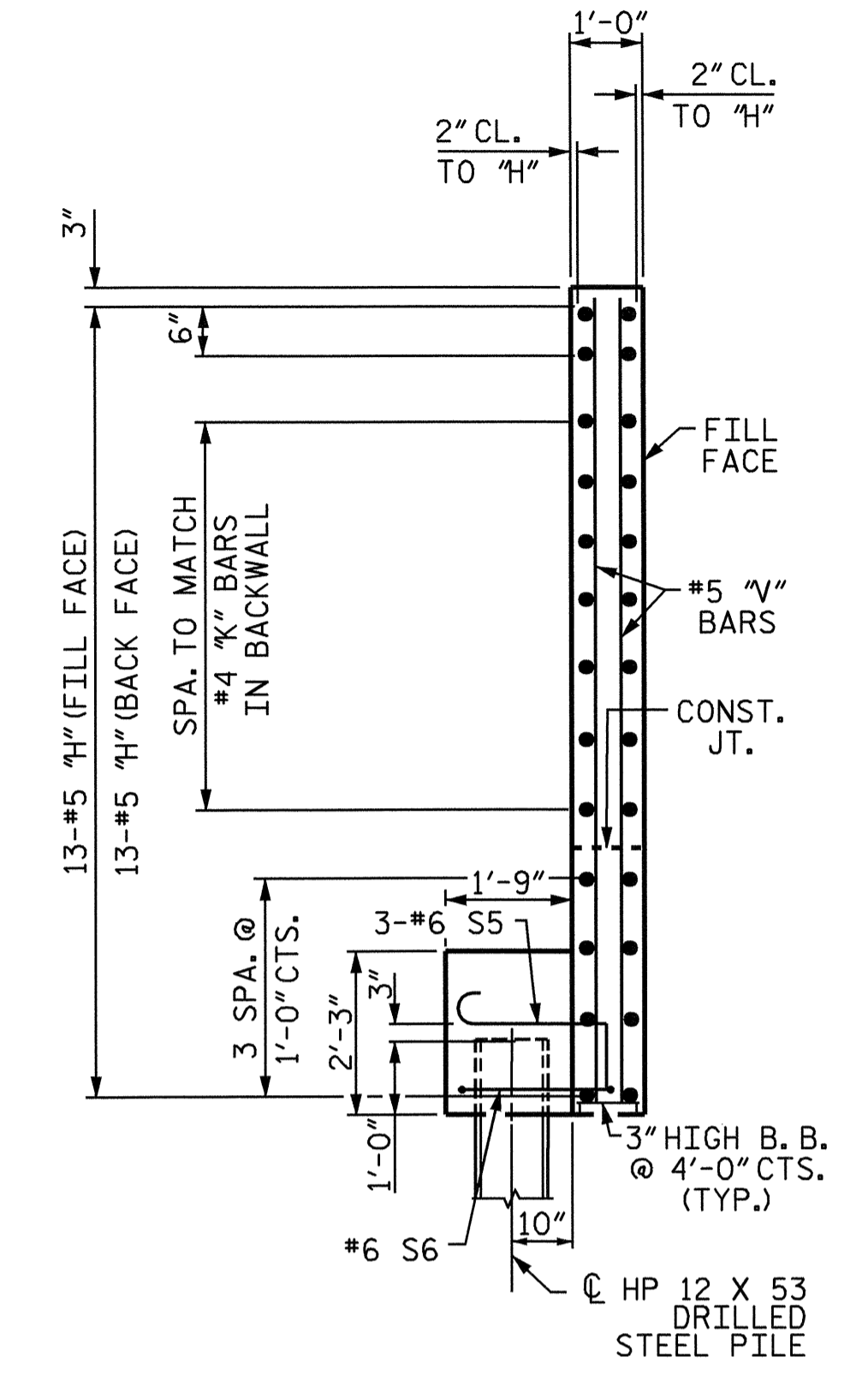


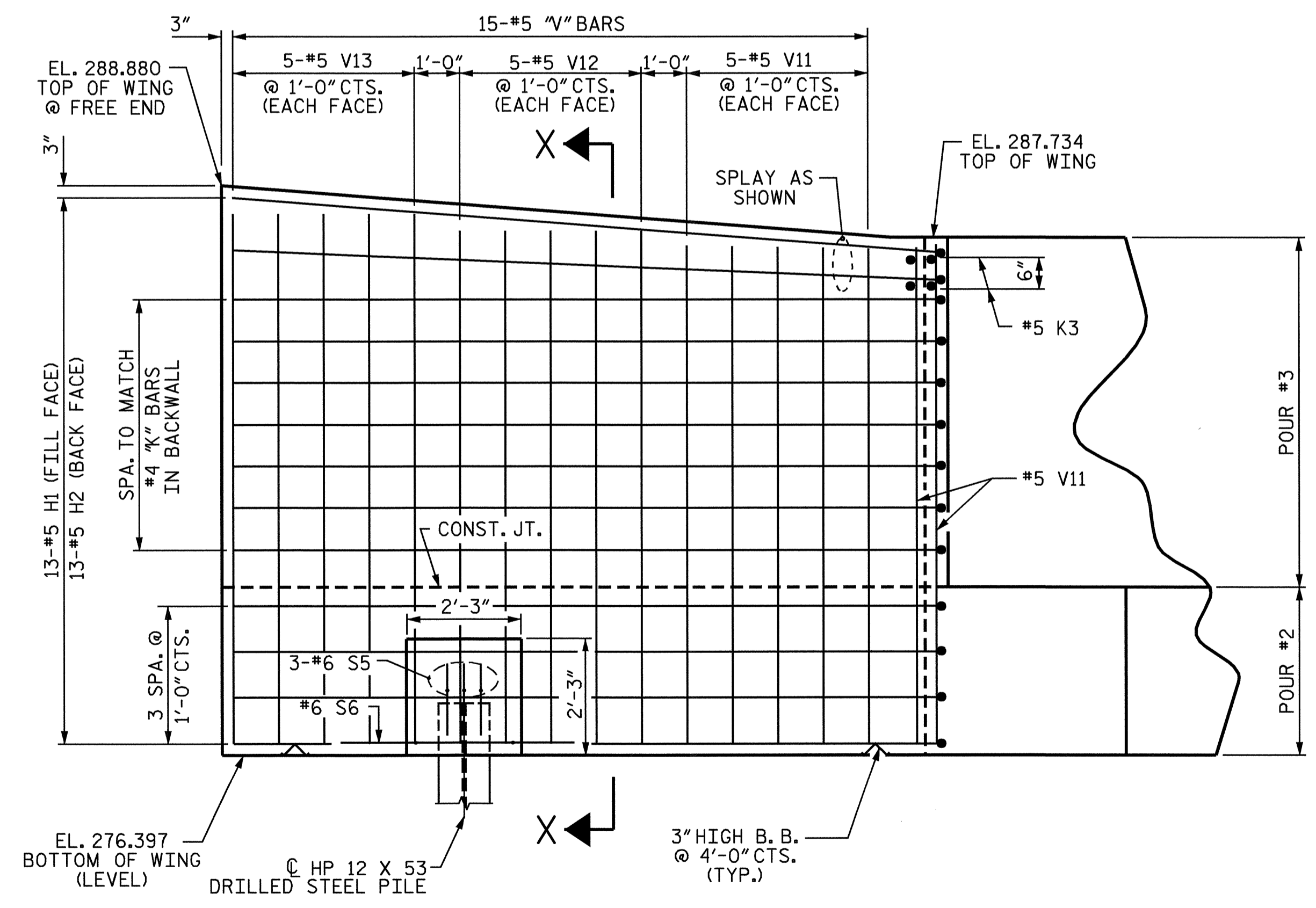
PLAN OF LEFT WING (W1)



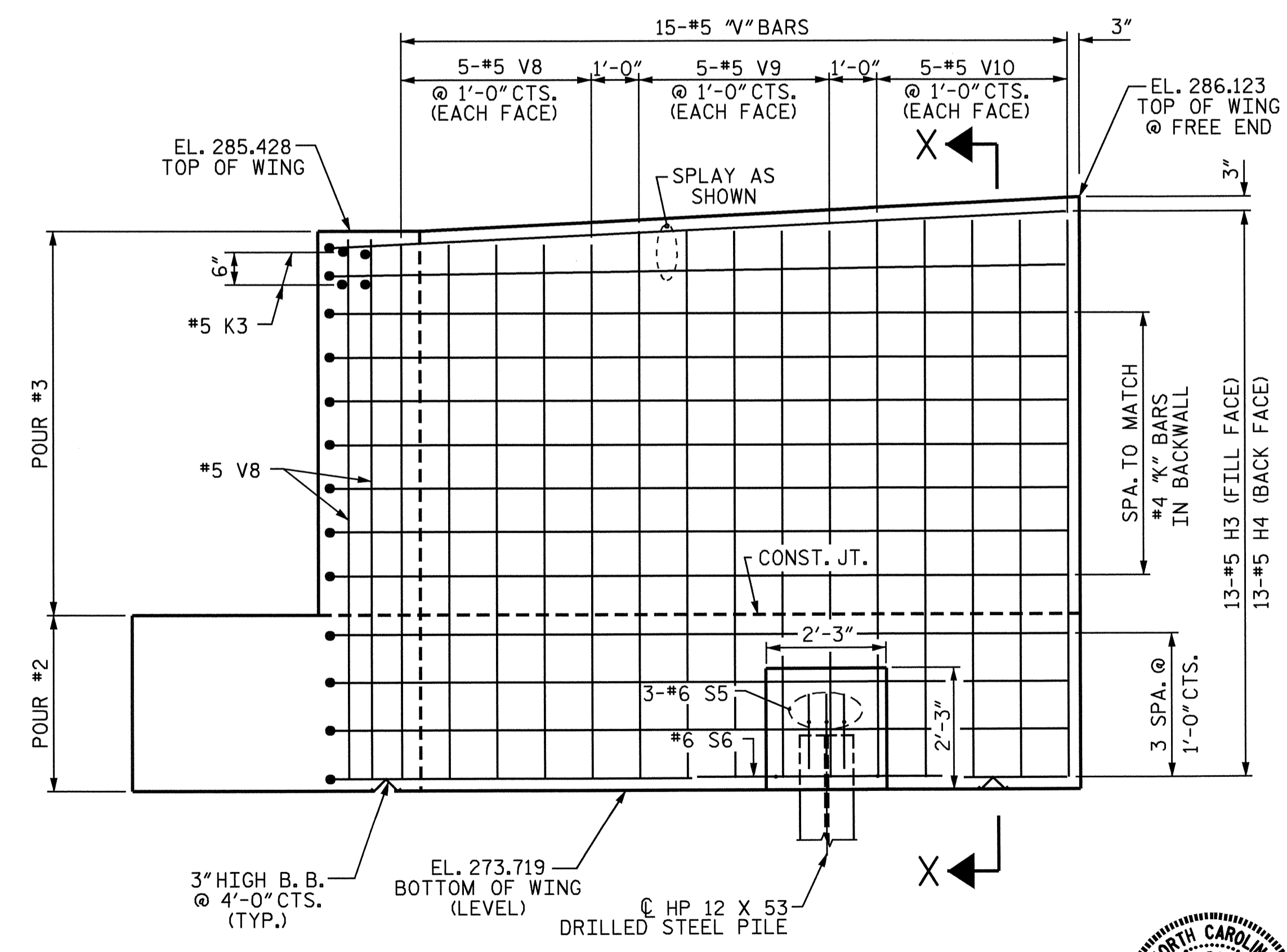
PLAN OF RIGHT WING (W2)



SECTION X-X



ELEVATION OF LEFT WING (W1)



ELEVATION OF RIGHT WING (W2)

PROJECT NO. B-3375
 WAKE COUNTY
 STATION: 43+81.84 -L-

SHEET 4 OF 5

STATE OF NORTH CAROLINA
 DEPARTMENT OF TRANSPORTATION
 RALEIGH

SUBSTRUCTURE
 END BENT #2



Eng. M. Y. E. Murray
 12/17/04

REVISIONS						SHEET NO.	
NO.	BY:	DATE:	NO.	BY:	DATE:	S-33	
1			3			TOTAL SHEETS 37	
2			4				

DRAWN BY: PEGGY ADKINS DATE: 9-04
 CHECKED BY: W. D. CRUTCHER DATE: 11-04