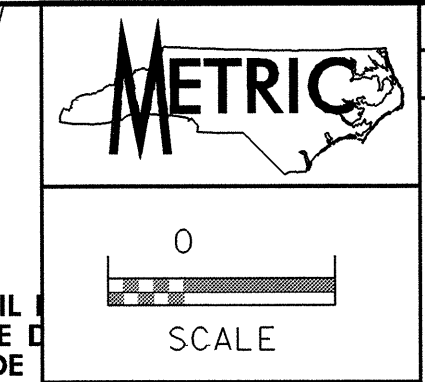


042597

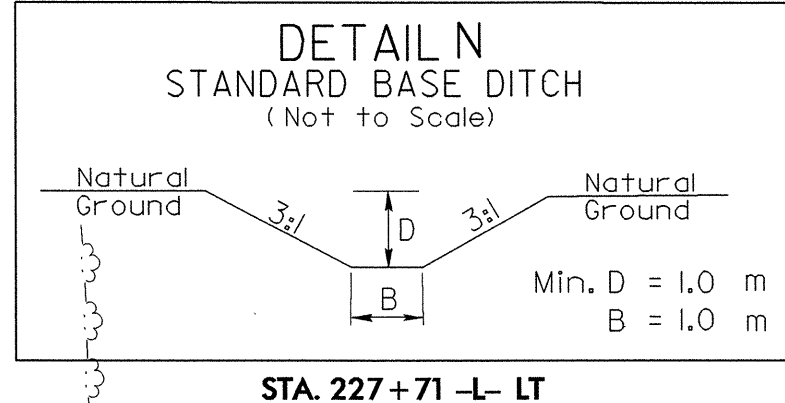
GREENHORNE & MARA
5565 CENTERVIEW DRIVE, SUITE 107
RALEIGH, NORTH CAROLINA 27606
(919) 581-7919
(919) 581-7919



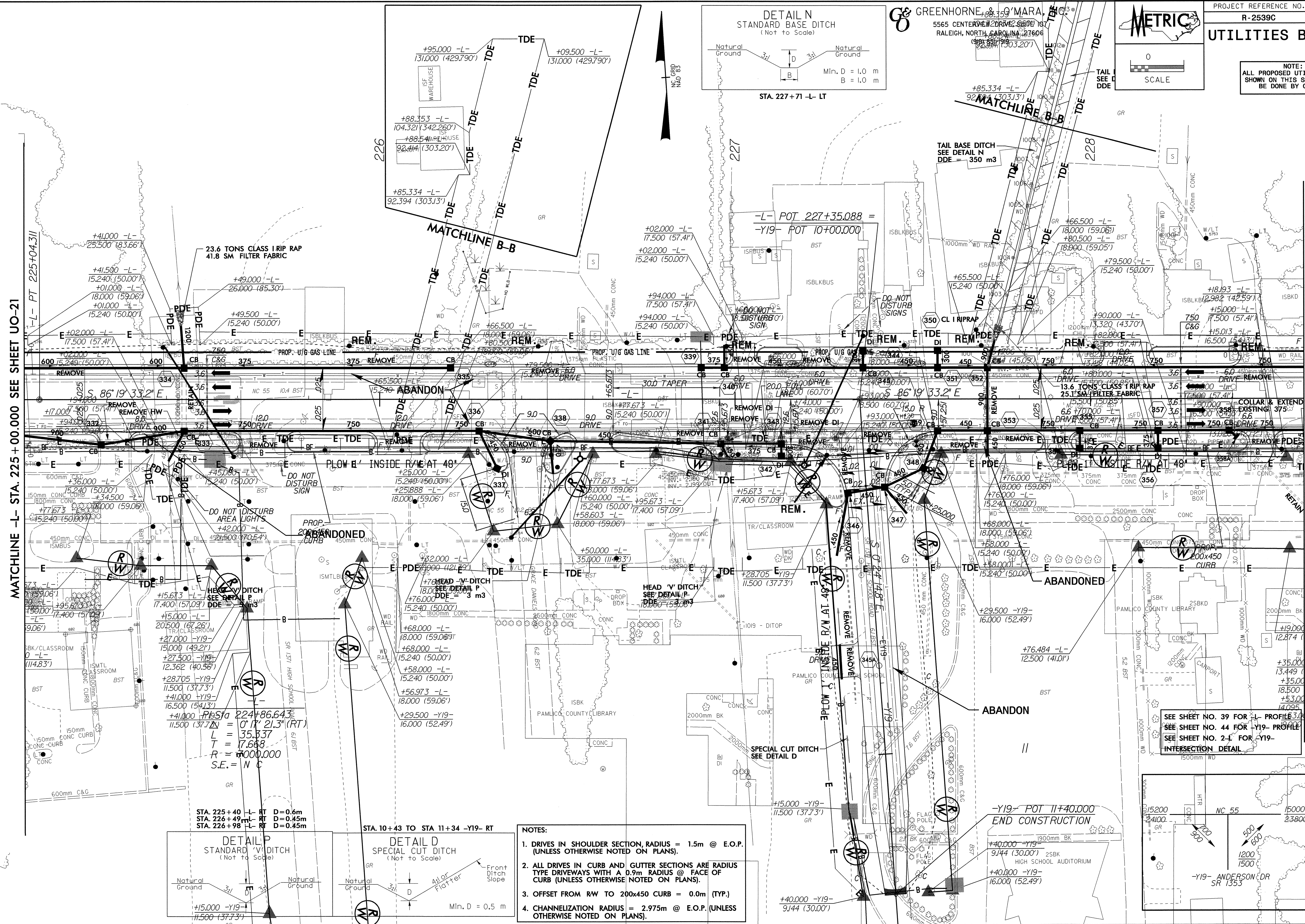
PROJECT REFERENCE NO. R-2539C SHEET NO. UO-22

UTILITIES BY OTHERS

NOTE:
ALL PROPOSED UTILITY WORK
SHOWN ON THIS SHEET WILL
BE DONE BY OTHERS

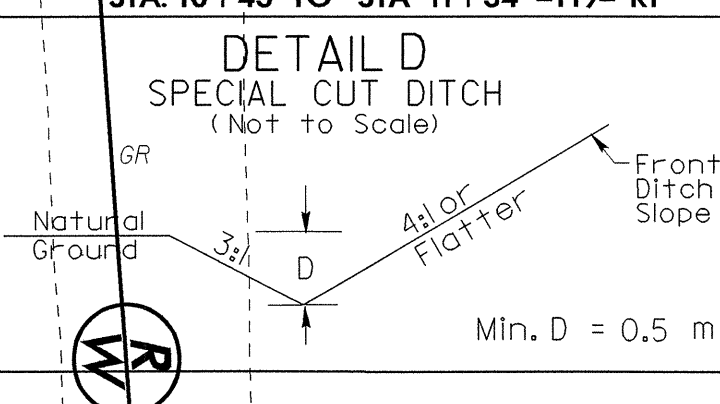
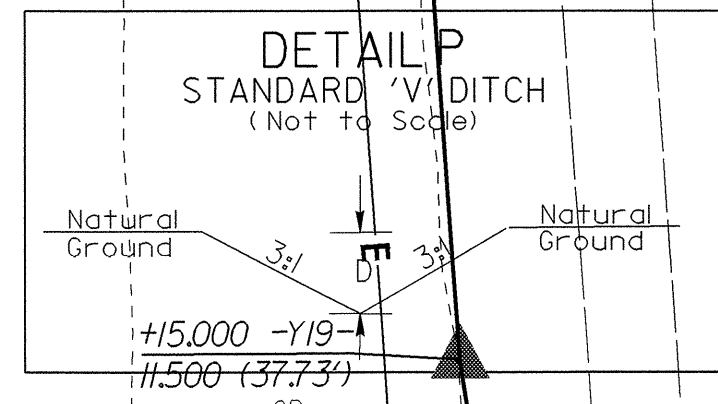


STA. 227+71 -L- LT



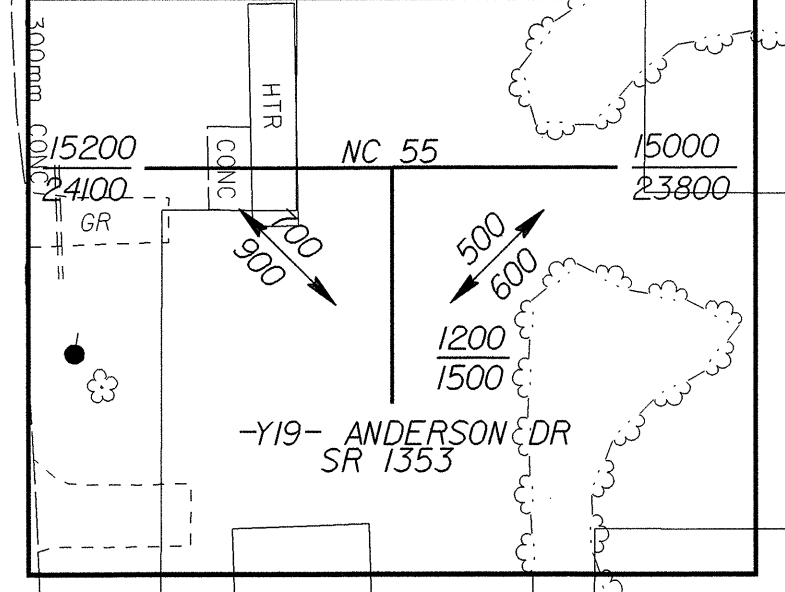
MATCHLINE -L- STA. 225+00.000 SEE SHEET UO-21

MATCHLINE -L- STA. 228+60.000 SEE SHEET UO-23



- NOTES:
1. DRIVES IN SHOULDER SECTION, RADIUS = 1.5m @ E.O.P. (UNLESS OTHERWISE NOTED ON PLANS).
 2. ALL DRIVES IN CURB AND GUTTER SECTIONS ARE RADIUS TYPE DRIVEWAYS WITH A 0.9m RADIUS @ FACE OF CURB (UNLESS OTHERWISE NOTED ON PLANS).
 3. OFFSET FROM RW TO 200x450 CURB = 0.0m (TYP.)
 4. CHANNELIZATION RADIUS = 2.975m @ E.O.P. (UNLESS OTHERWISE NOTED ON PLANS).

SEE SHEET NO. 39 FOR -L- PROFILE
SEE SHEET NO. 44 FOR -Y19- PROFILE
SEE SHEET NO. 2-L FOR -Y19- INTERSECTION DETAIL



26-OCT-2004 13:59 R:\projects\2539\2539.dwg