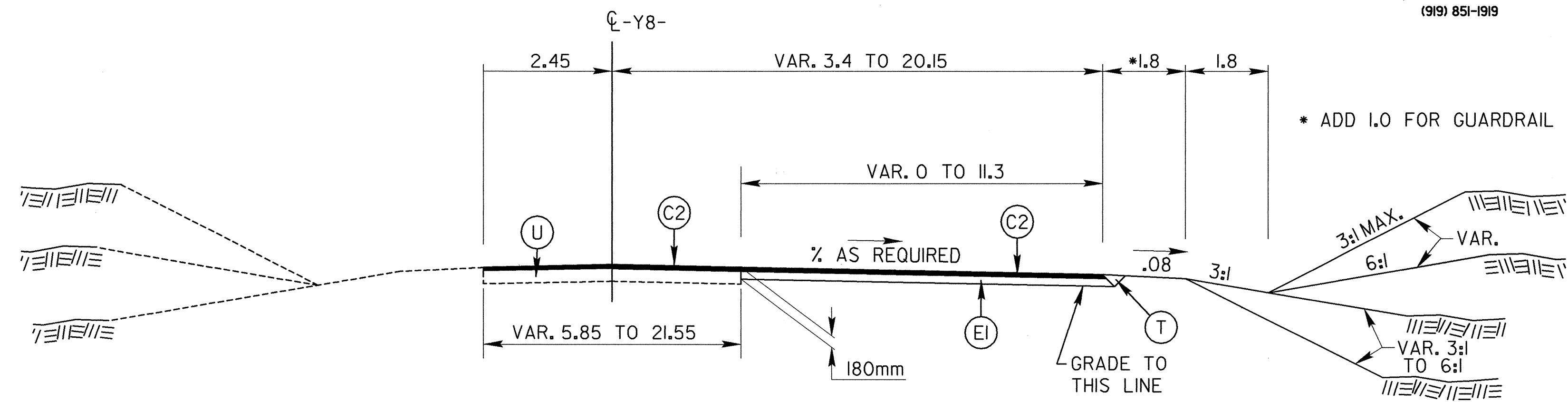


REVISIONS

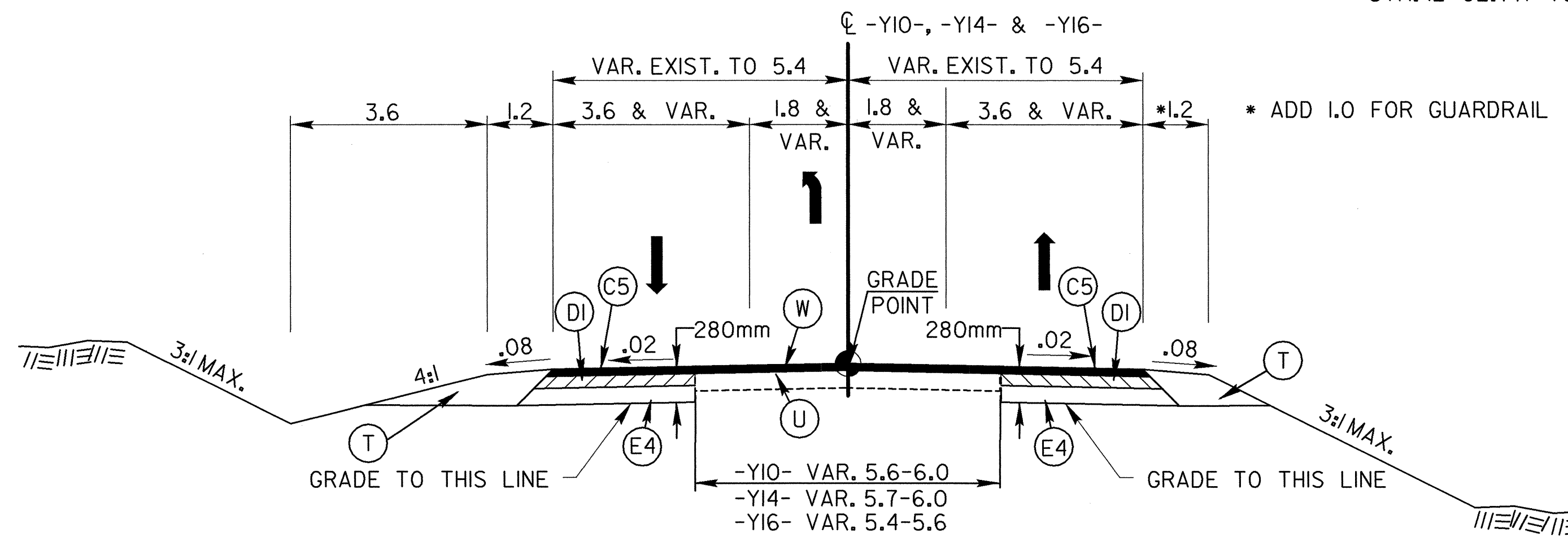
**GREENHORNE & O'MARA, INC.**  
 5565 CENTERVIEW DRIVE, SUITE 107  
 RALEIGH, NORTH CAROLINA 27606  
 (919) 851-1919



PROJECT REFERENCE NO. R-2539C	SHEET NO. 2-E
R/W SHEET NO.	
ROADWAY DESIGN ENGINEER	PAVEMENT DESIGN ENGINEER
CONST. REV.	
R/W REV.	

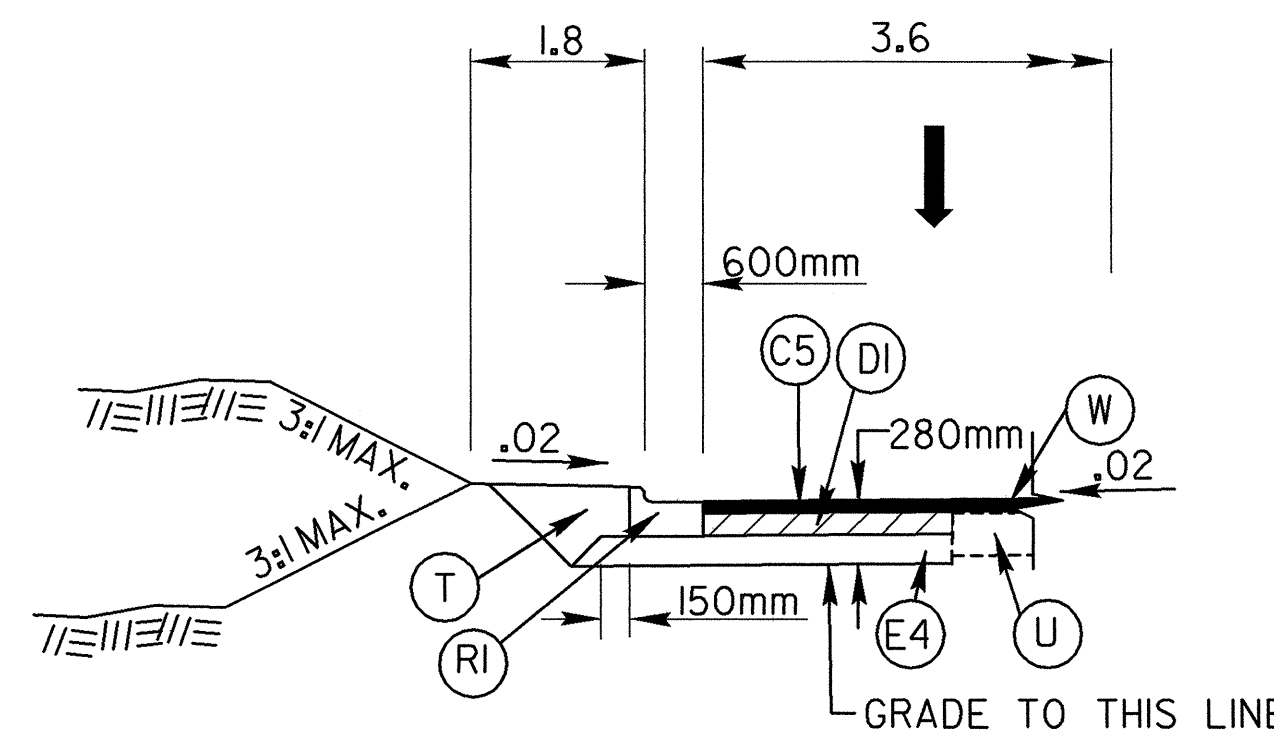


**TYPICAL SECTION NO. 14**  
 STA. I2+02.771 -Y8- TO I2+35.500 -Y8-



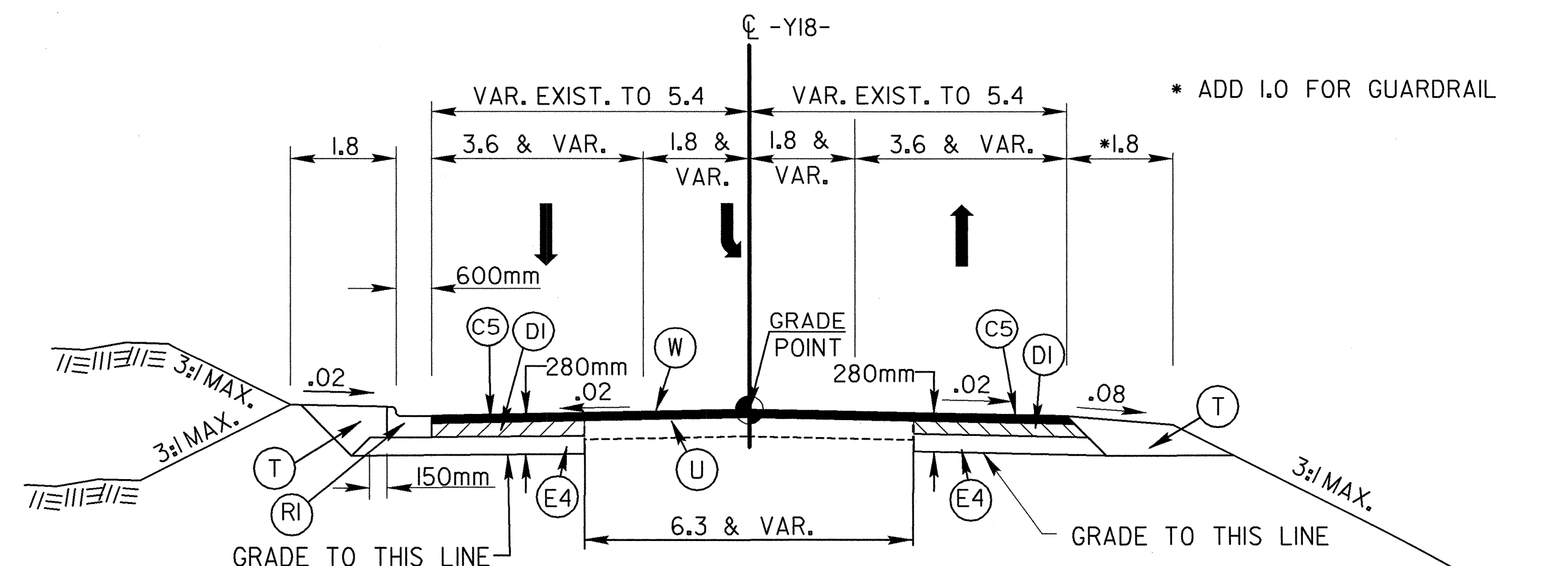
**TYPICAL SECTION NO. 15**

WIDEN & RESURFACE WITH 40 mm S9.5C USING EXISTING GRADE  
 STA. I0+29.854 RT. -Y10- TO I0+85.000 RT. -Y10-  
 STA. I0+34.495 LT. -Y10- TO I0+85.000 LT. -Y10-  
 STA. I0+20.000 -Y14- TO I0+45.000 (I0+74.362 LT.) -Y14-  
 STA. I0+30.676 RT. -Y16- TO I0+75.000 RT. -Y16-  
 STA. I0+44.822 LT. -Y16- TO I0+75.000 LT. -Y16-



**TYPICAL SECTION NO. 15-A**

WIDEN & RESURFACE WITH 40 mm S9.5C USING EXISTING GRADE  
 STA. I0+29.854 LT. -Y10- TO I0+34.495 LT. -Y10-  
 STA. I0+45.000 RT. -Y14- TO I0+71.539 RT. -Y14-  
 STA. I0+30.676 LT. -Y16- TO I0+44.822 LT. -Y16-



**TYPICAL SECTION NO. 16**

WIDEN & RESURFACE WITH 40 mm S9.5C USING EXISTING GRADE  
 STA. I0+28.119 -Y18- TO I1+02.000 -Y18-

**ABBREVIATED PAVEMENT SCHEDULE**

C1	40 mm ASPHALT CONC. SURFACE COURSE, TYPE S9.5B
C2	80 mm ASPHALT CONC. SURFACE COURSE, TYPE S9.5B
C3	VAR. DEPTH ASPHALT CONC. SURFACE COURSE, TYPE S9.5B
C4	40 mm ASPHALT CONC. SURFACE COURSE, TYPE S9.5C
C5	80 mm ASPHALT CONC. SURFACE COURSE, TYPE S9.5C
C6	VAR. DEPTH ASPHALT CONC. SURFACE COURSE, TYPE S9.5C
D1	100 mm ASPHALT CONC. INTERMEDIATE COURSE, TYPE I19.0C
D2	VAR. DEPTH ASPHALT CONC. INTERMEDIATE COURSE, TYPE I19.0C
E1	100 mm ASPHALT CONC. BASE COURSE, TYPE B25.0B
E2	120 mm ASPHALT CONC. BASE COURSE, TYPE B25.0B
E3	VAR. DEPTH ASPHALT CONC. BASE COURSE, TYPE B25.0B
E4	100 mm ASPHALT CONC. BASE COURSE, TYPE B25.0C
E5	VAR. DEPTH ASPHALT CONC. BASE COURSE, TYPE B25.0C
J1	200 mm AGGREGATE BASE COURSE
J2	VAR. DEPTH AGGREGATE BASE COURSE
RI	750 mm CONCRETE CURB AND GUTTER
R2	1200 mm CONCRETE EXPRESSWAY GUTTER
S	100 mm CONCRETE SIDEWALK
T	EARTH MATERIAL
U	EXISTING PAVEMENT
V	MILLING (100mm)
W	WEDGING (SEE SHEET 2 FOR WEDGING DETAIL)

NOTE: SEE SHEET 2 FOR DETAILED PAVEMENT SCHEDULE