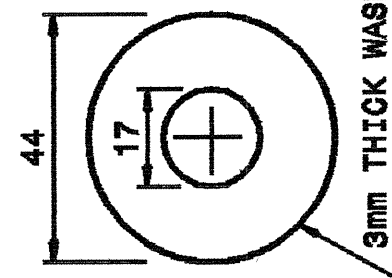
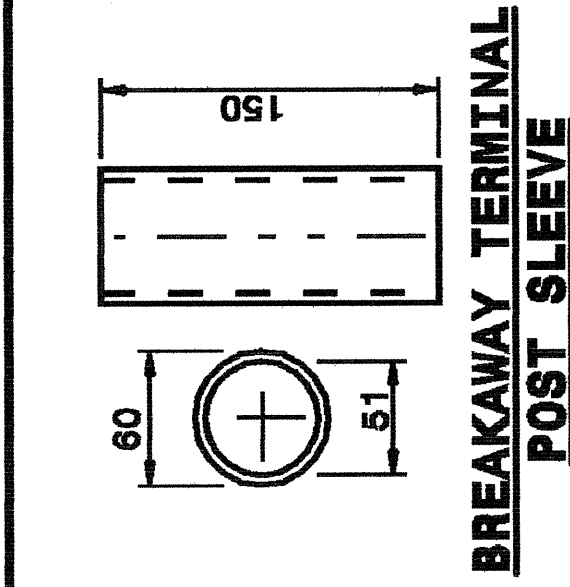


22-MAY-2003 13:51 \\nrc\server\stds\02\stds to Special Details\metric\86202\0862d02m.dgn
 erickard 01/08/02/12260

STATE OF
 NORTH CAROLINA
 DEPT. OF TRANSPORTATION
 DIVISION OF HIGHWAYS
 RALEIGH, N.C.

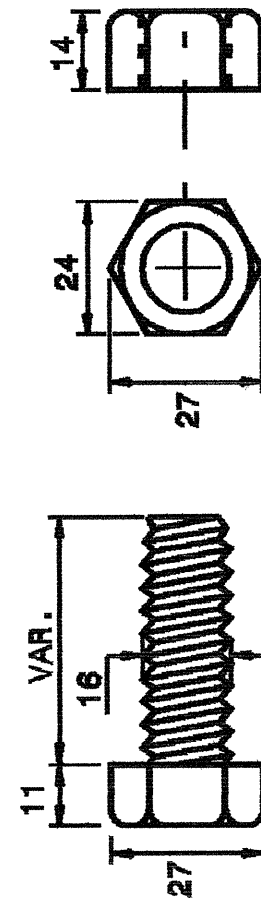
METRIC DETAIL DRAWING FOR
 GUARDRAIL INSTALLATION

SHEET 5 OF 7
862D02

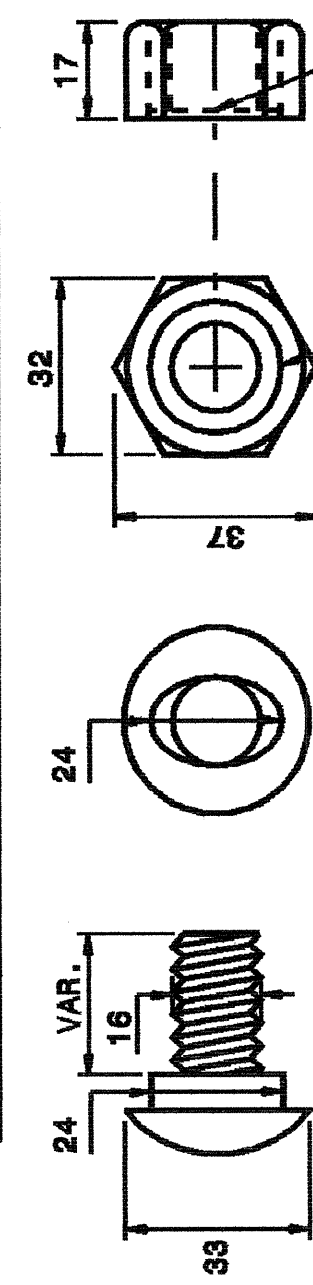


DETAIL OF STANDARD WASHER

STANDARD WASHER: TYPICAL USE UNDER NUT WITH WOOD POST



DETAIL OF STANDARD HEX BOLT AND NUT



DETAIL OF BUTTON HEAD BOLT AND NUT

24mm DIA. X 1.5mm DEEP RECESS

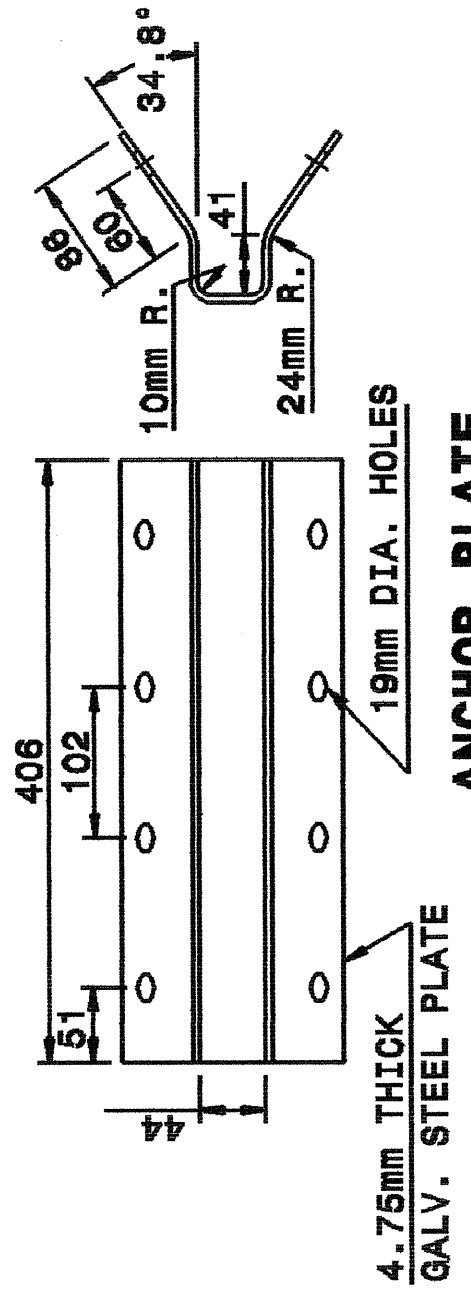
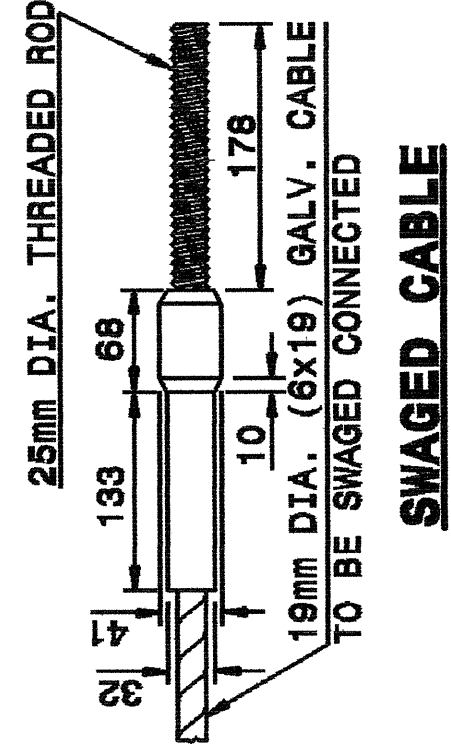
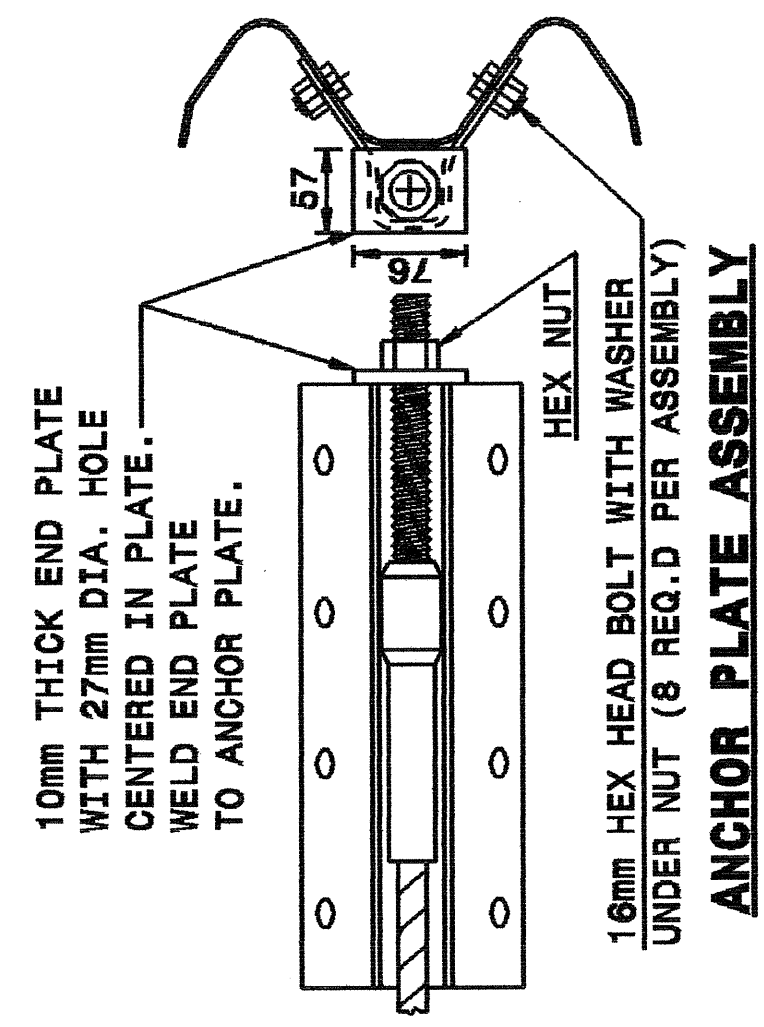
Note:
 This drawing is dimensioned in millimeters unless otherwise depicted within the drawing.

SYSTEM PARTS

STATE OF
 NORTH CAROLINA
 DEPT. OF TRANSPORTATION
 DIVISION OF HIGHWAYS
 RALEIGH, N.C.

METRIC DETAIL DRAWING FOR
 GUARDRAIL INSTALLATION

SHEET 5 OF 7
862D02

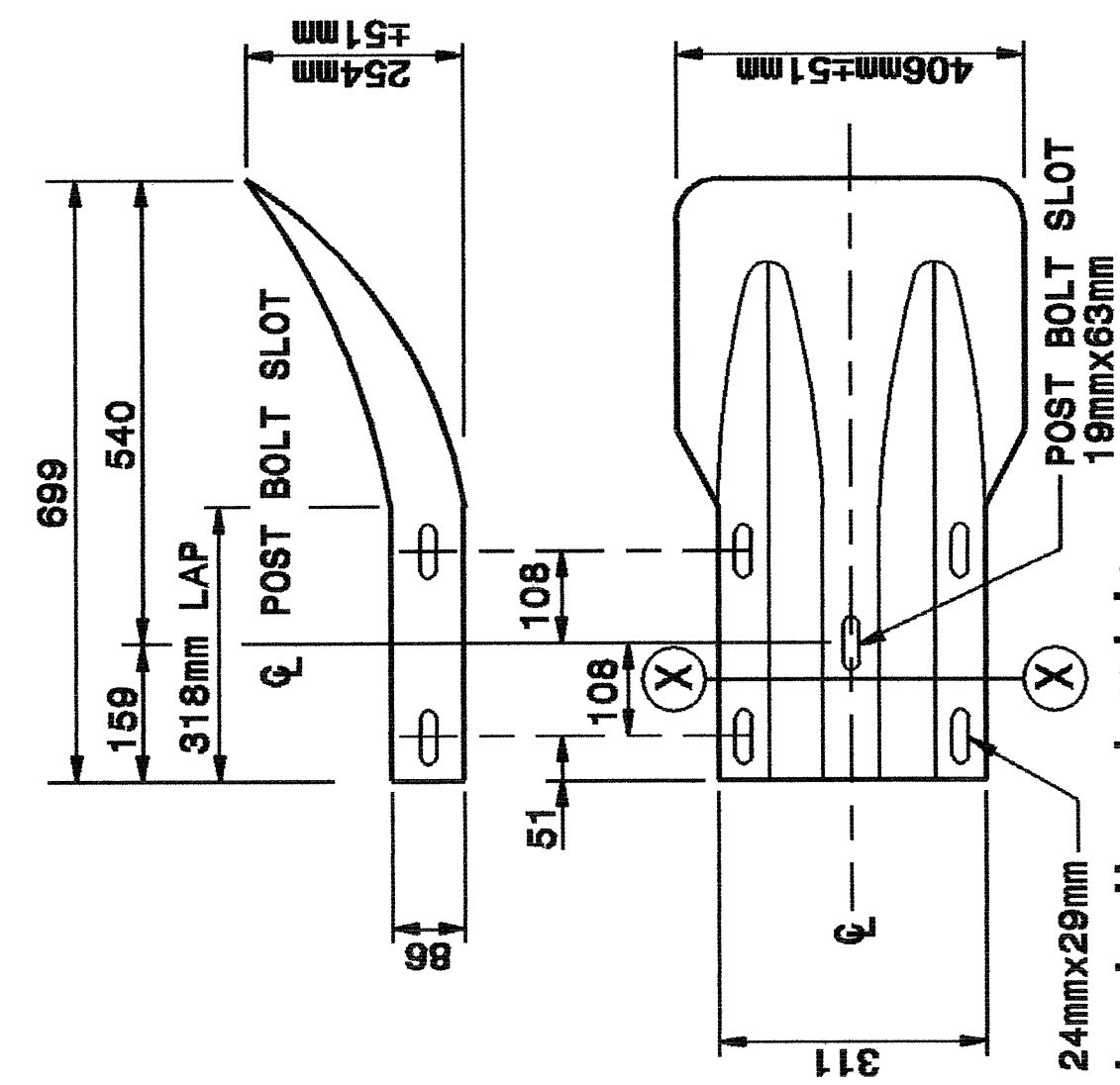
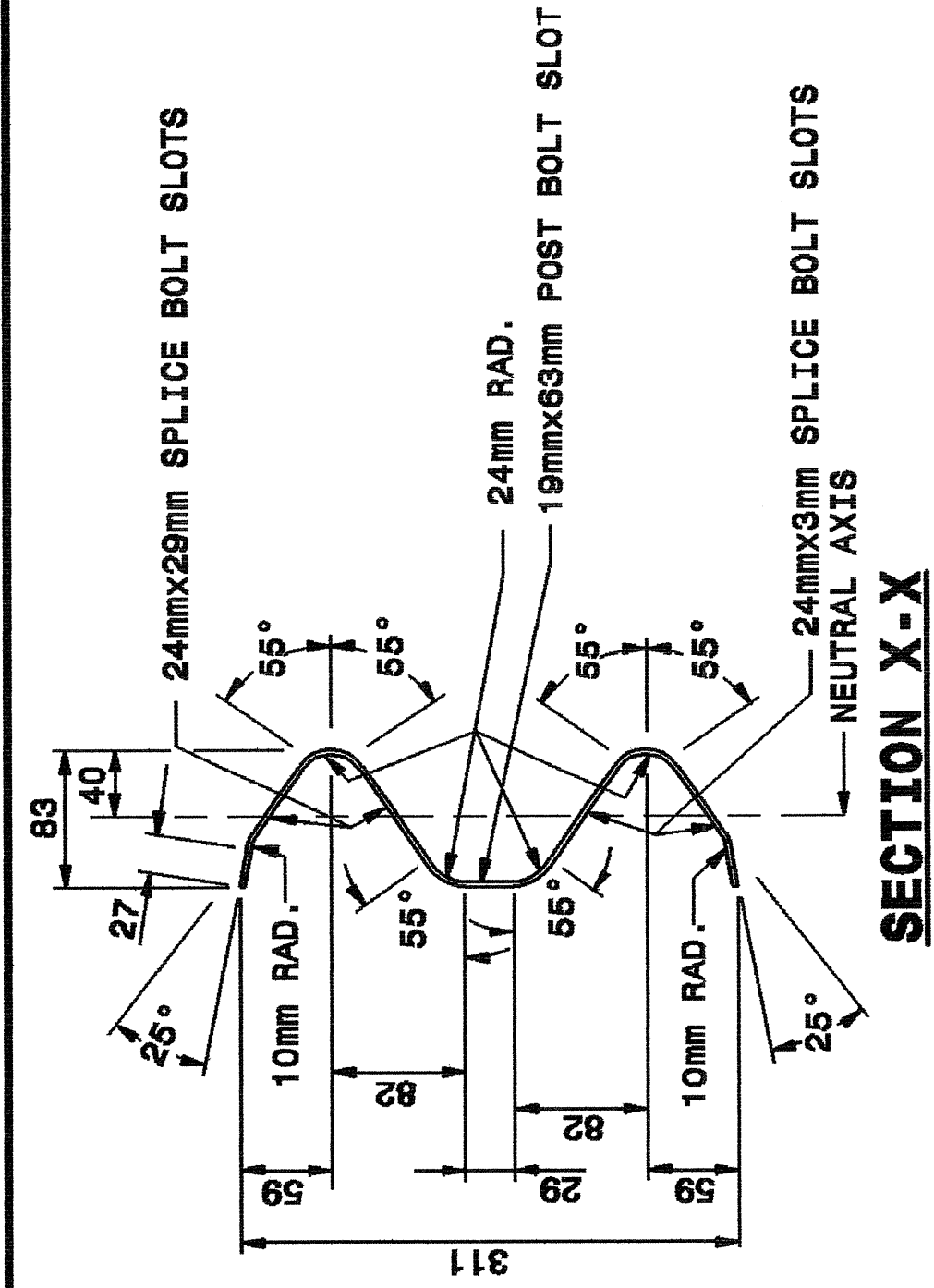


CABLE ASSEMBLY

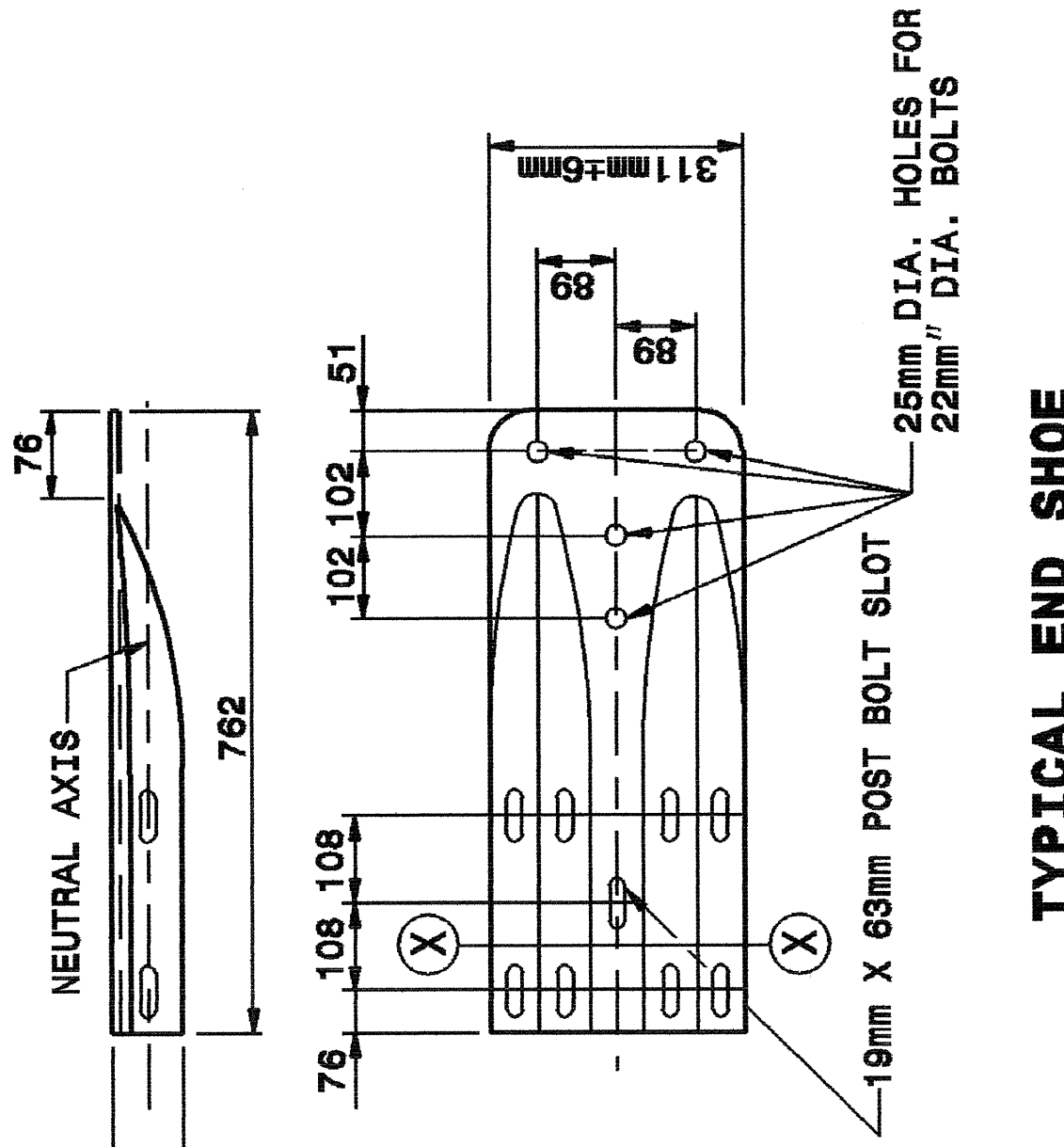
STATE OF
 NORTH CAROLINA
 DEPT. OF TRANSPORTATION
 DIVISION OF HIGHWAYS
 RALEIGH, N.C.

METRIC DETAIL DRAWING FOR
 GUARDRAIL INSTALLATION

SHEET 6 OF 7
862D02



Note:
 This drawing is dimensioned in millimeters unless otherwise depicted within the drawing.



SYSTEM PARTS - GENERAL USE

STATE OF
 NORTH CAROLINA
 DEPT. OF TRANSPORTATION
 DIVISION OF HIGHWAYS
 RALEIGH, N.C.

METRIC DETAIL DRAWING FOR
 GUARDRAIL INSTALLATION

SHEET 6 OF 7
862D02

DESIGN SERVICES UNIT
 STANDARDS AND SPECIAL DESIGN
 Office 919-250-4128 FAX 919-250-4119

SEE PLATE FOR TITLE

ORIGINAL BY: 2002 STD.862.02 DATE:
 MODIFIED BY: E.E. WARD DATE: 02-09-03
 CHECKED BY: DATE:
 FILE SPEC.: /usr/stds/02todetail/metric/86202/862d02m.dgn

