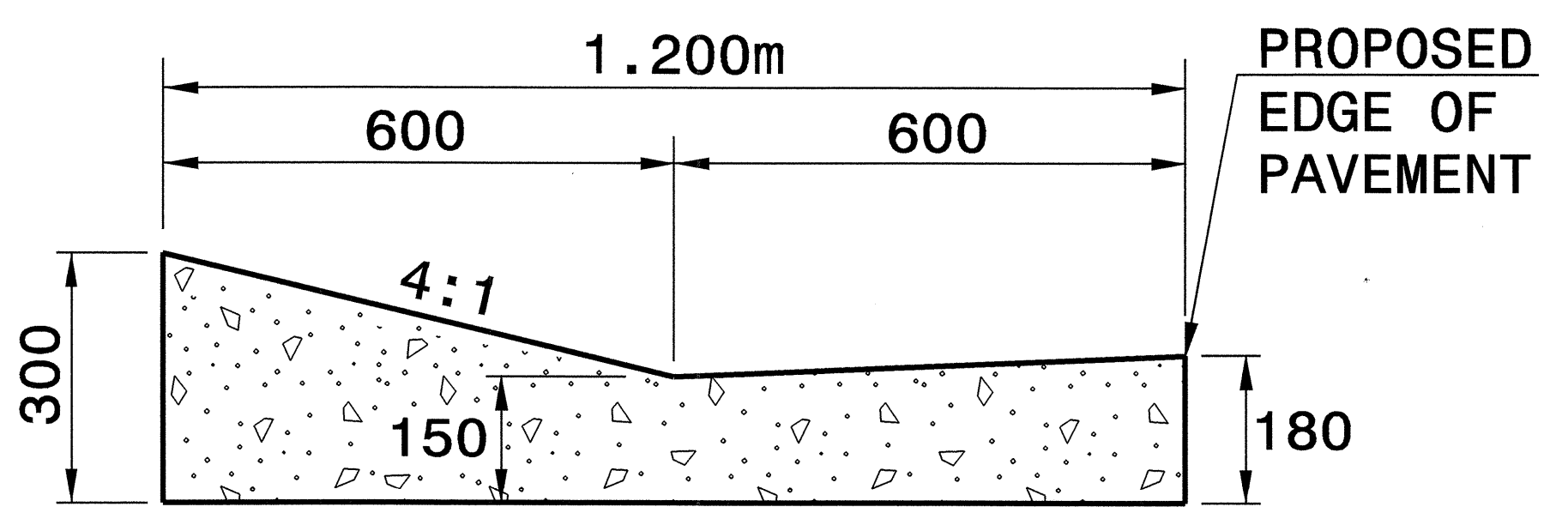


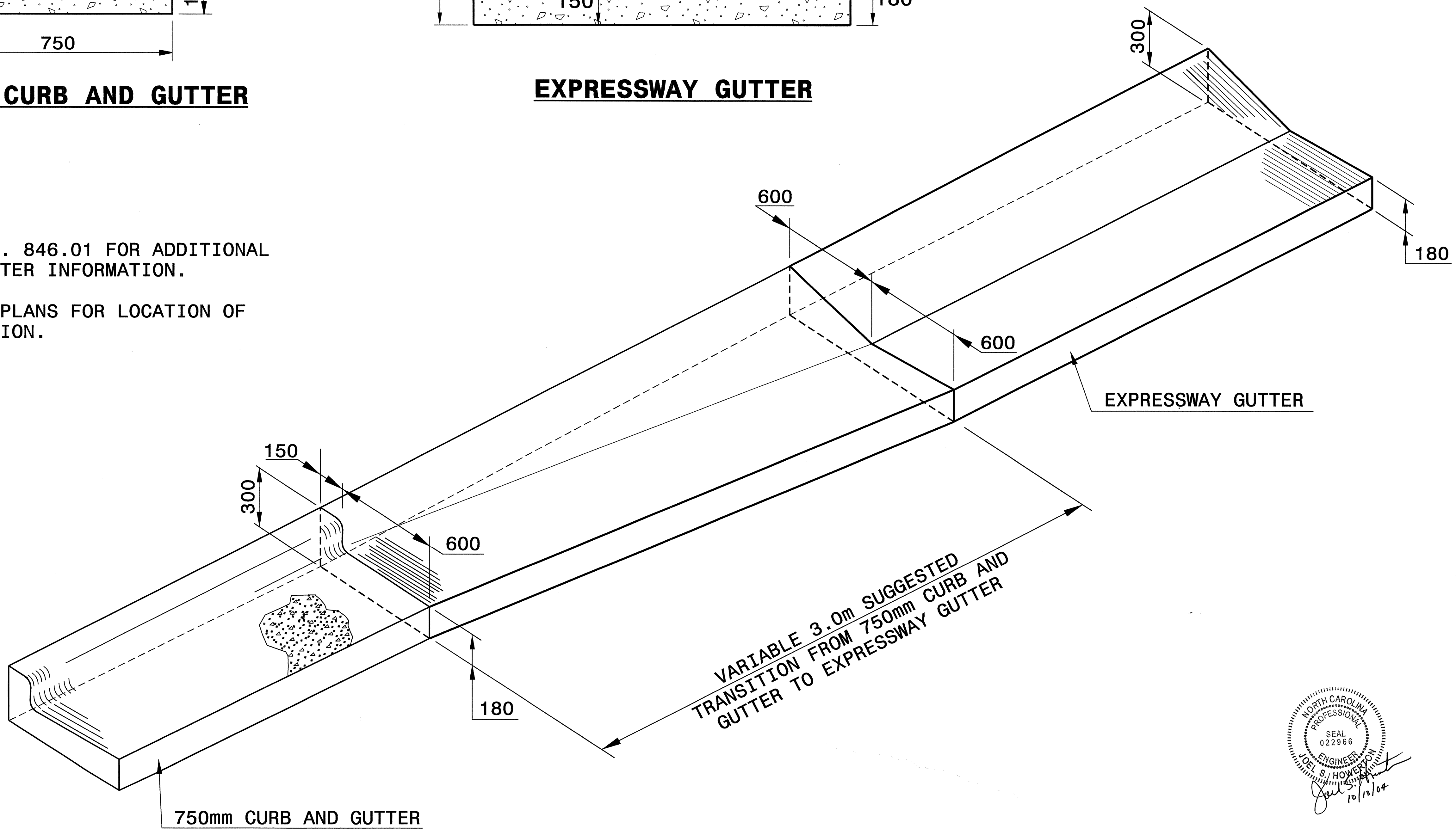
**750mm CURB AND GUTTER**



**EXPRESSWAY GUTTER**

NOTE: SEE STD. DWG. 846.01 FOR ADDITIONAL CURB AND GUTTER INFORMATION.

SEE ROADWAY PLANS FOR LOCATION OF CURB TRANSITION.



**ISOMETRIC VIEW OF TRANSITION**



**DESIGN SERVICES UNIT  
STANDARDS AND SPECIAL DESIGN**  
Office 919-250-4128 FAX 919-250-4119

**DETAIL OF MODIFIED SHOULDER  
BERM GUTTER TO EXPRESSWAY  
GUTTER TRANSITION SECTION**

ORIGINAL BY: E.E. WARD DATE: 8-26-03  
 MODIFIED BY: *Joel S. Howerton* DATE: *10/13/04*  
 CHECKED BY: *Joel S. Howerton* DATE: *10/13/04*  
 FILE SPEC.: *w:\sr\details\stand\cgtransit.dgn*

07-SEP-2004 10:51 W:\Special Details\stand\cgtransit.dgn .spell - At D:\20030555