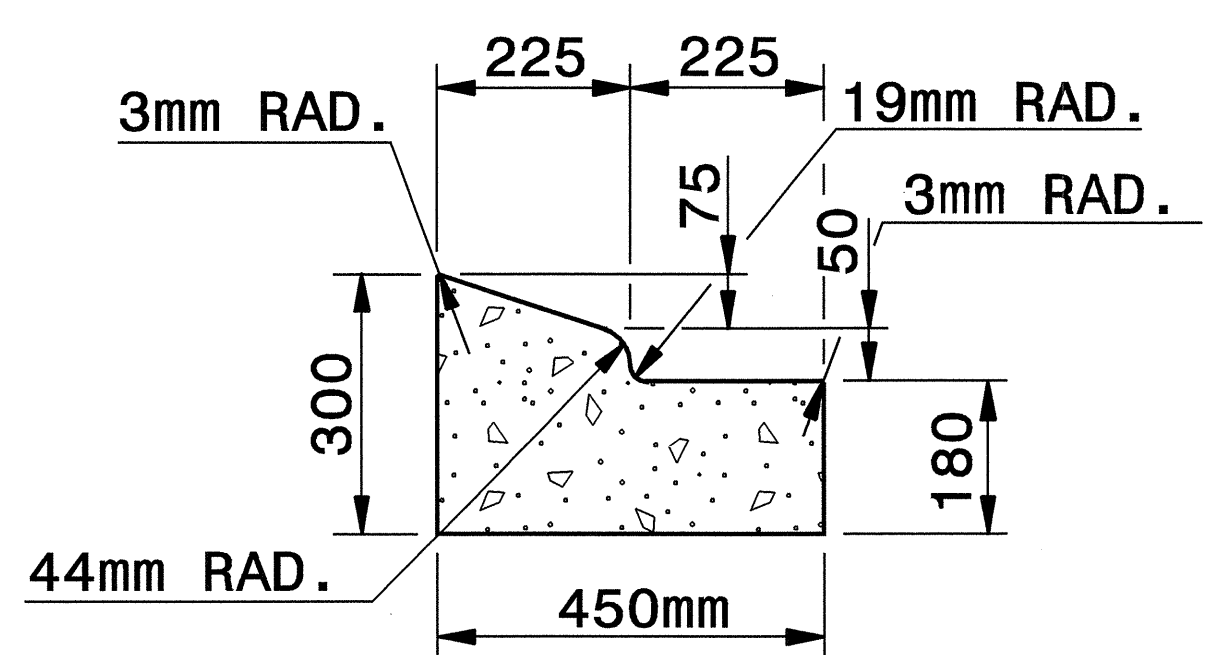


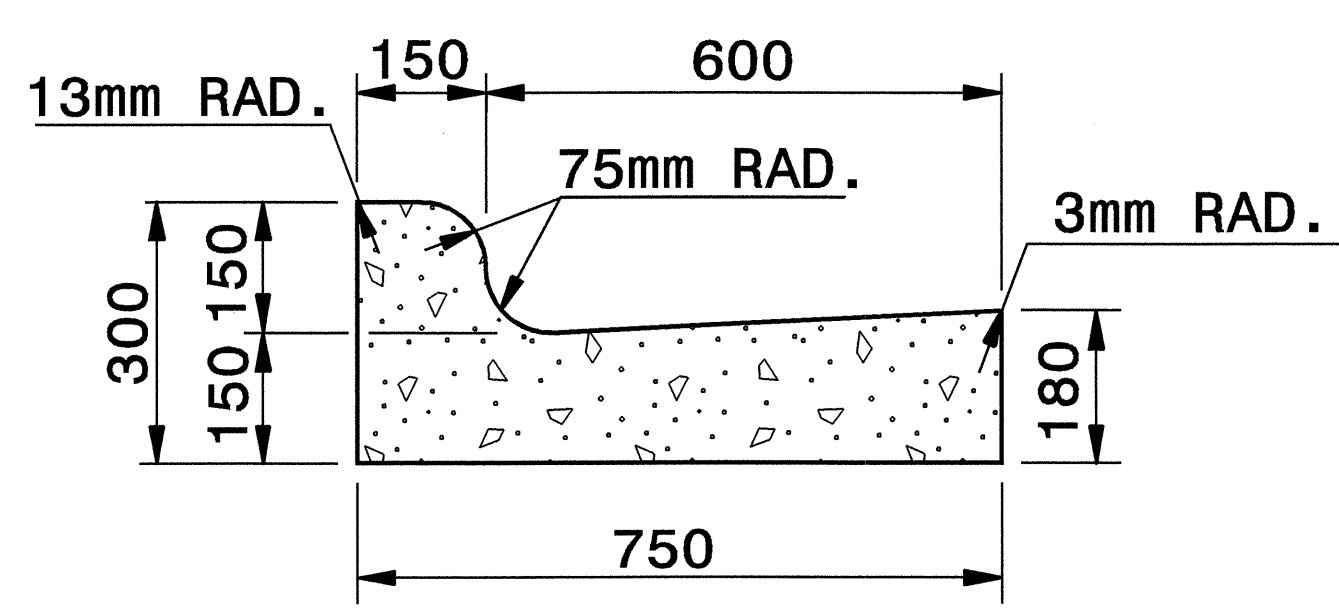


NOTE: SEE STD. DWG. 846.01 FOR ADDITIONAL CURB AND GUTTER INFORMATION.

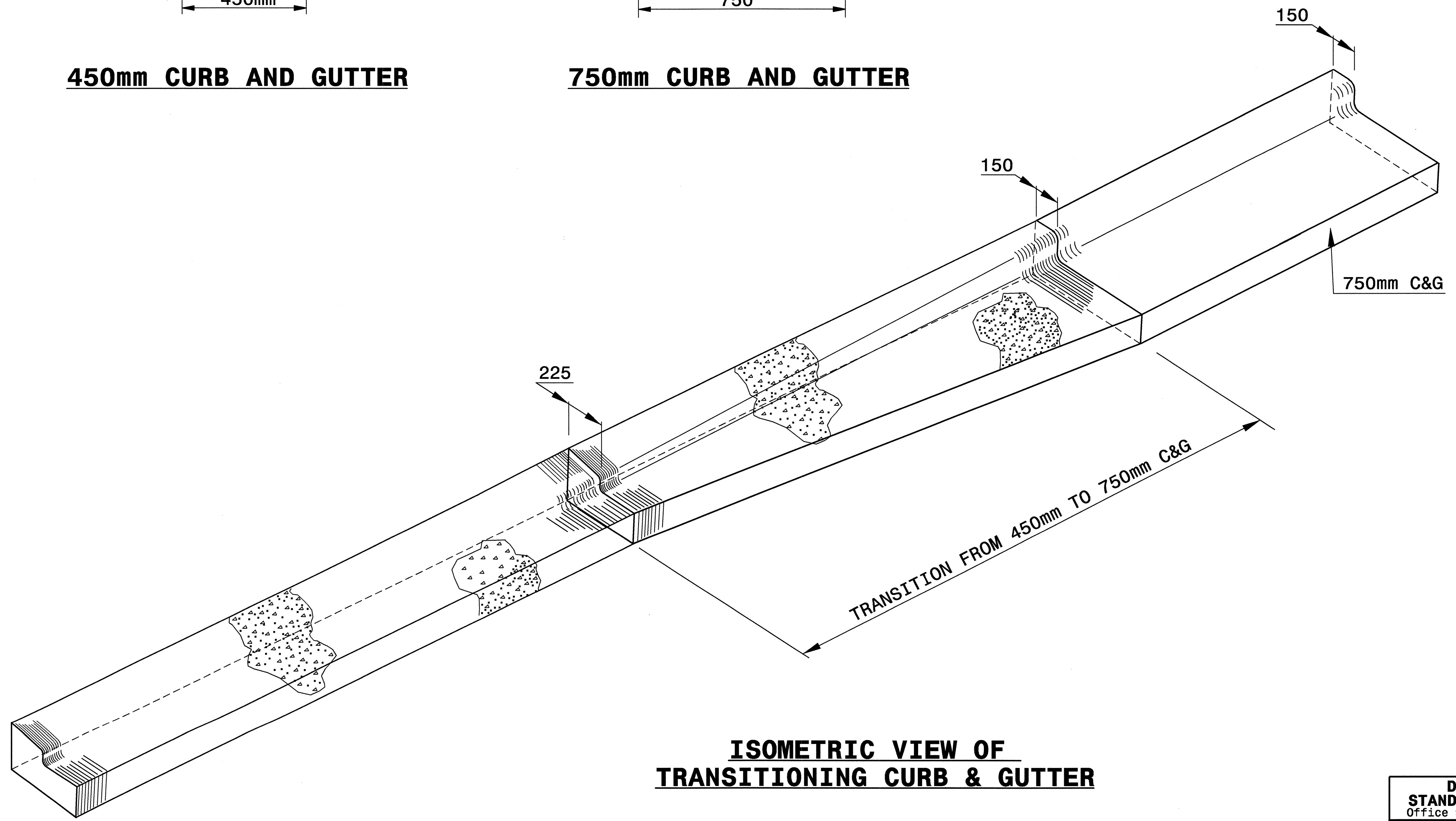
SEE ROADWAY PLANS FOR LOCATION OF CURB TRANSITION.



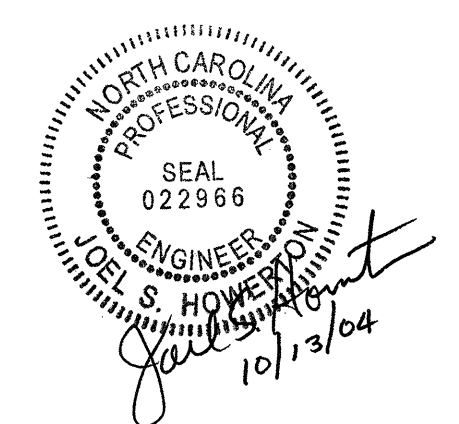
**450mm CURB AND GUTTER**



**750mm CURB AND GUTTER**



**ISOMETRIC VIEW OF TRANSITIONING CURB & GUTTER**



DESIGN SERVICES UNIT STANDARDS AND SPECIAL DESIGN Office 919-250-4128 FAX 919-250-4119	
<b>DETAIL OF 450mm TO 750mm CURB &amp; GUTTER TRANSITION SECTION</b>	
ORIGINAL BY: T.S. Spell	DATE: 9-4-04
MODIFIED BY: <i>Paul S. Hunt</i>	DATE: 7/13/04
CHECKED BY: <i>Paul S. Hunt</i>	DATE: 7/13/04
FILE SPEC.: w:\details\stand\cgttransit.dgn	

07-SEP-2004 10:51  
 W:\Special Details\spell\stand\cgttransit.dgn  
 .spell - R1 D:\2003\355