

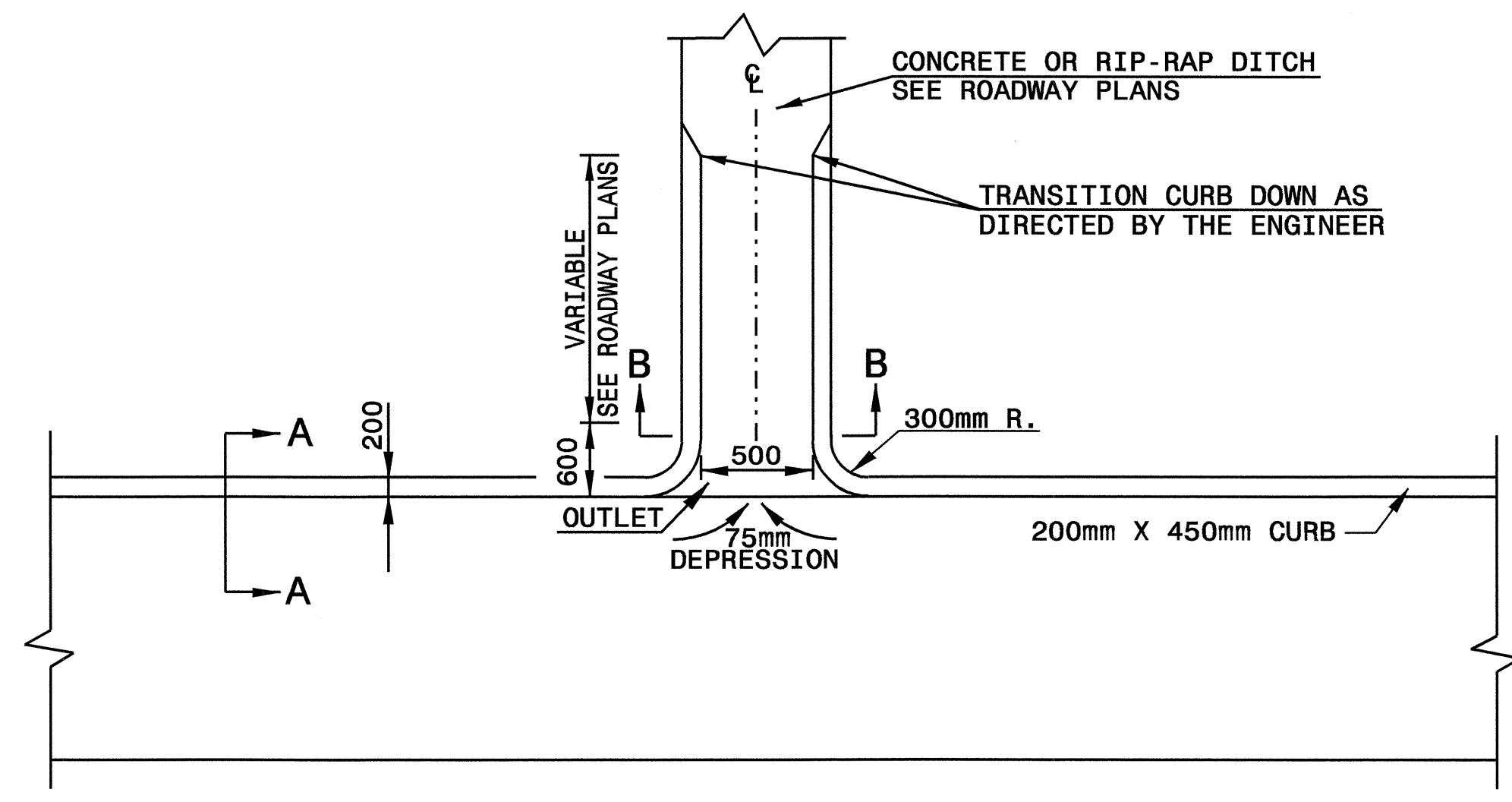


STATE OF NORTH CAROLINA
DEPT. OF TRANSPORTATION
DIVISION OF HIGHWAYS
RALEIGH, N.C.

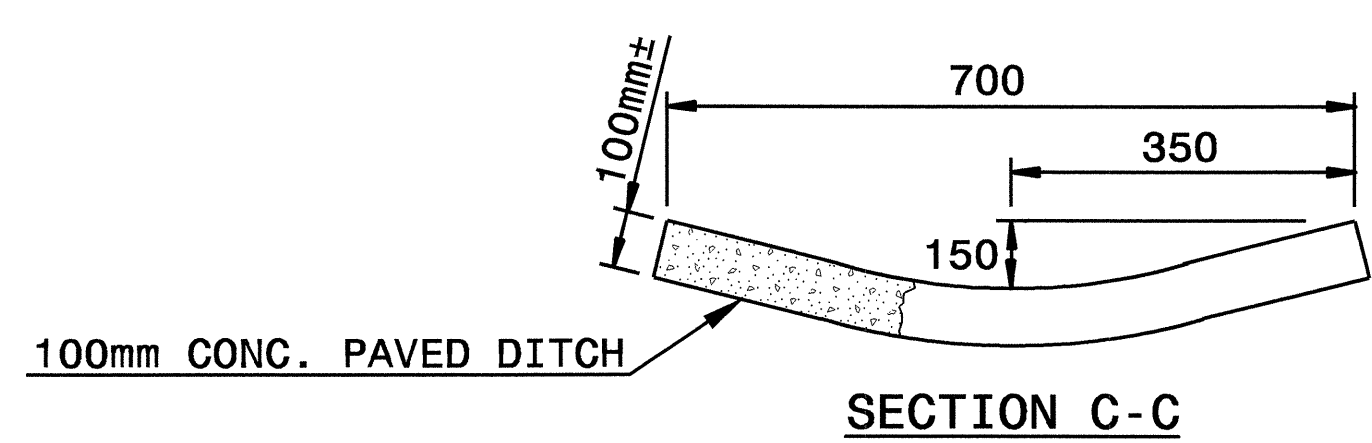
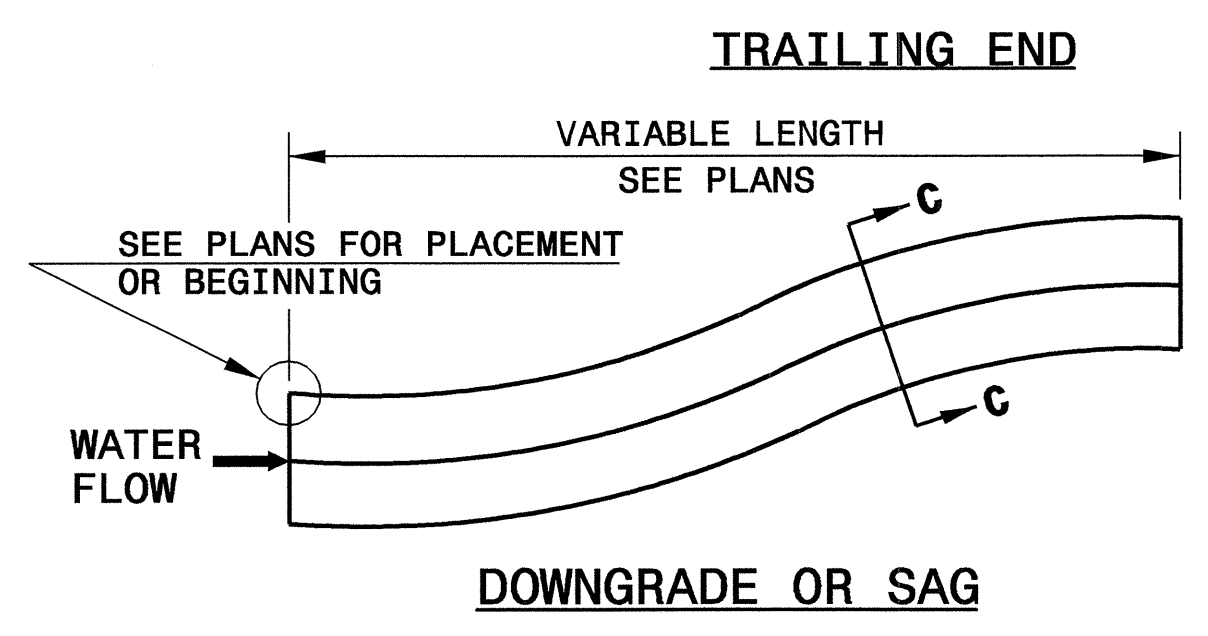
STATE OF NORTH CAROLINA
DEPT. OF TRANSPORTATION
DIVISION OF HIGHWAYS
RALEIGH, N.C.

METRIC DETAIL DRAWING FOR
**CONCRETE FLUME INSTALLATION IN
200mm X 450mm CURB**

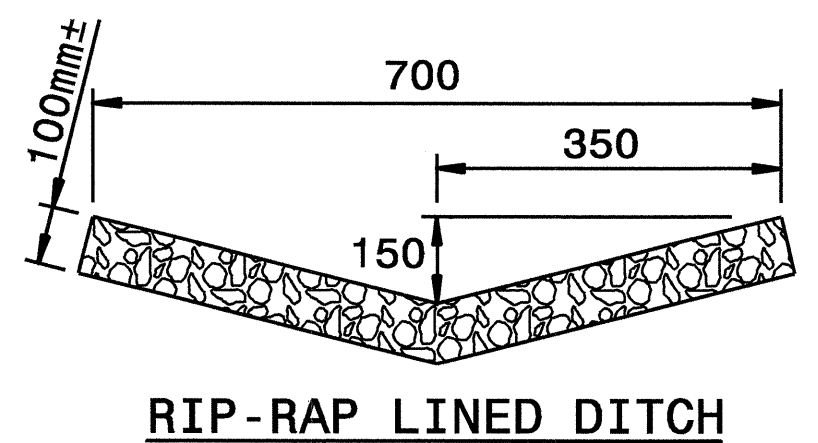
METRIC DETAIL DRAWING FOR
**CONCRETE FLUME INSTALLATION IN
200mm X 450mm CURB**



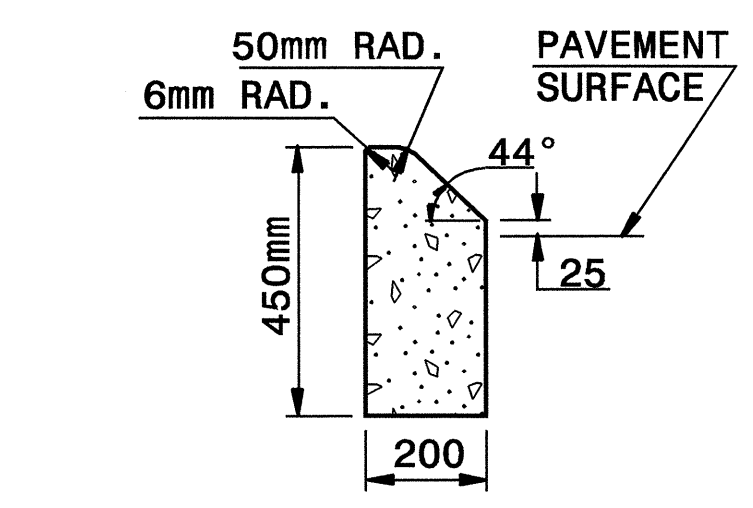
PLAN VIEW



SECTION C-C

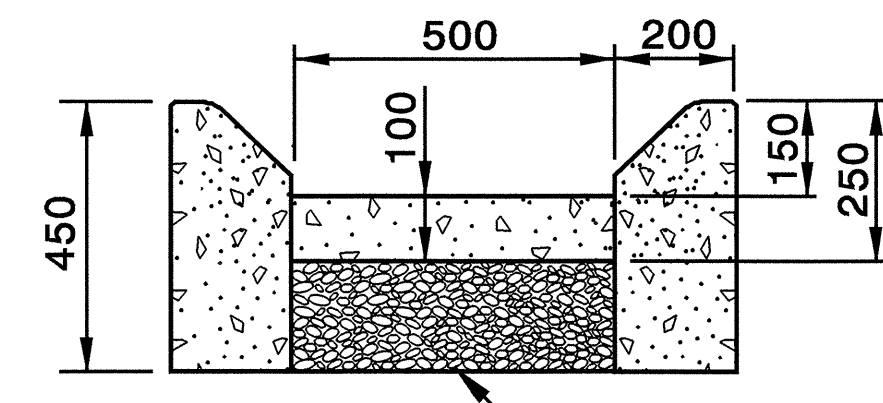


RIP-RAP LINED DITCH



SECTION A-A

200mmX450mm CONCRETE CURB



SECTION B-B

NOTES:

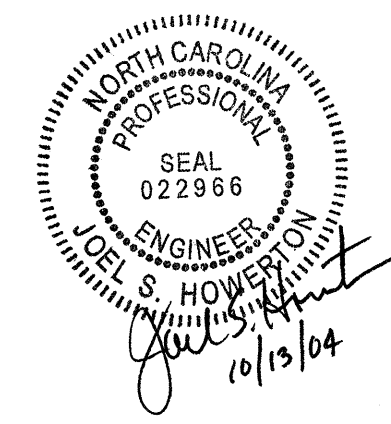
- CONSTRUCT CONCRETE DITCH IN ACCORDANCE WITH STD. DWG. NO. 850.01.
- CONSTRUCT RIP RAP LINED DITCH IN ACCORDANCE WITH THIS DETAIL, IF CALLED FOR IN PLANS.
- CONCRETE OR RIP RAP LINED DITCH SHALL BE THE TYPE AND LENGTH SPECIFIED BY THE ROADWAY PLANS. THE DITCH SHALL TERMINATE AS SHOWN ON THE PLANS. IF NO TERMINATION IS INDICATED PLACE RIP-RAP AT THE END OF THE DITCH AS INDICATED BY STD. DWG. 876.02 FOR AN 450mm PIPE. TRANSITIONS FROM THE DITCH TO TERMINATION SHALL BE AS DIRECTED BY THE ENGINEER.
- MODIFICATIONS SHALL BE AS DICTATED BY SITE CONDITIONS AND DIRECTED BY THE ENGINEER.

Note:
This drawing is dimensioned in millimeters unless otherwise depicted within the drawing.

SHEET 1 OF 1
MODFLMDTCH

SHEET 1 OF 1
MODFLMDTCH

06-OCT-2004 16:14
V:\Special_Details\Vericward\usr\dk-tails\stand\modifiedflume.dgn
tspeil AT DS203655



DESIGN SERVICES UNIT
STANDARDS AND SPECIAL DESIGN
Office 919-250-4128 FAX 919-250-4119

SEE PLATE FOR TITLE

ORIGINAL BY: E.E. Ward DATE: 3-12-02
MODIFIED BY: T.S. Speil DATE: 10-6-04
CHECKED BY: [Signature] DATE: 10/7/04
FILE SPEC.: v:\details\stand\modifiedflume.dgn