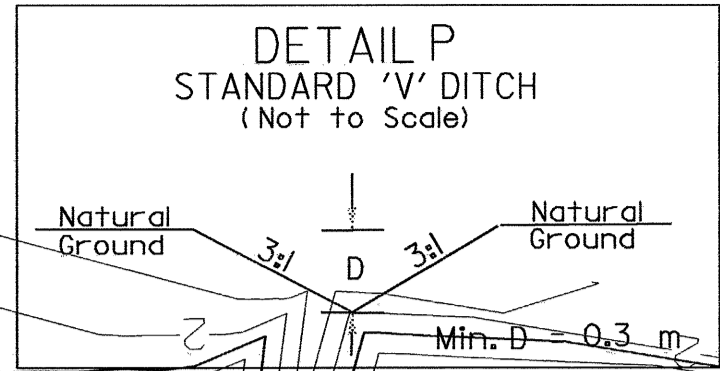
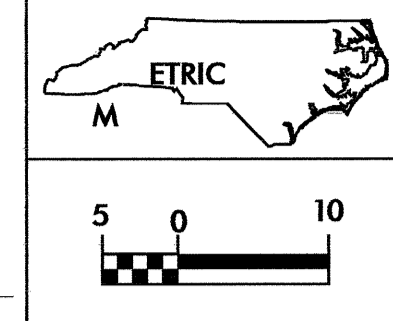


**CLEARING AND GRUBBING  
EROSION CONTROL FOR  
CONSTRUCTION SHEET 19**

**NOTE:**  
PLACE TEMPORARY ROCK SEDIMENT DAMS TYPE- B  
AND TEMPORARY ROCK SILT CHECKS TYPE-A AT  
DRAINAGE OUTLETS.

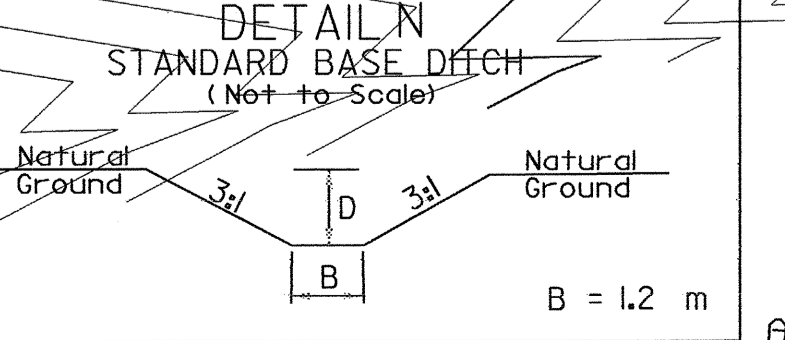
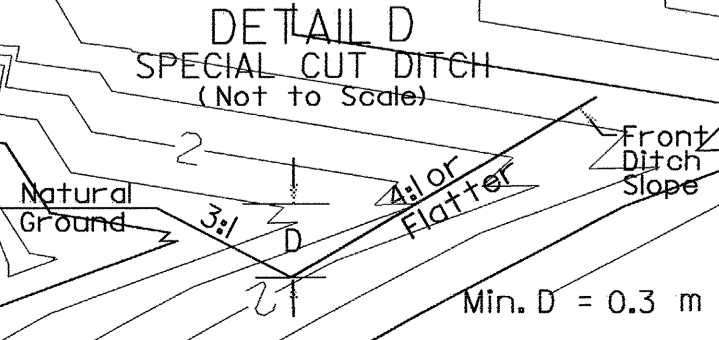
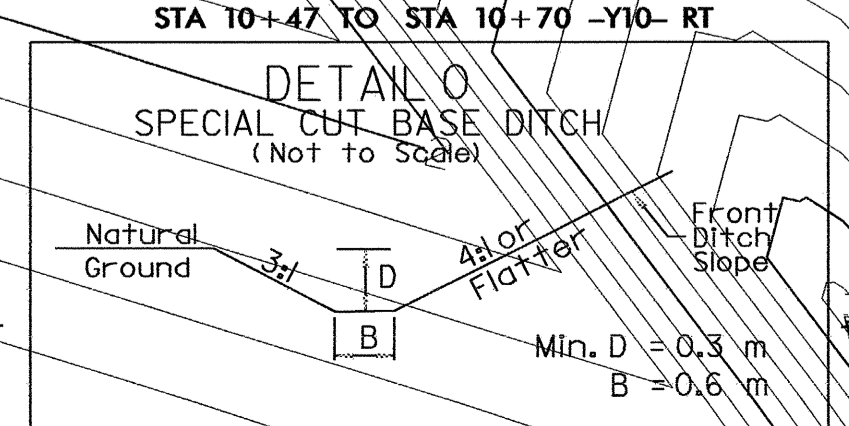
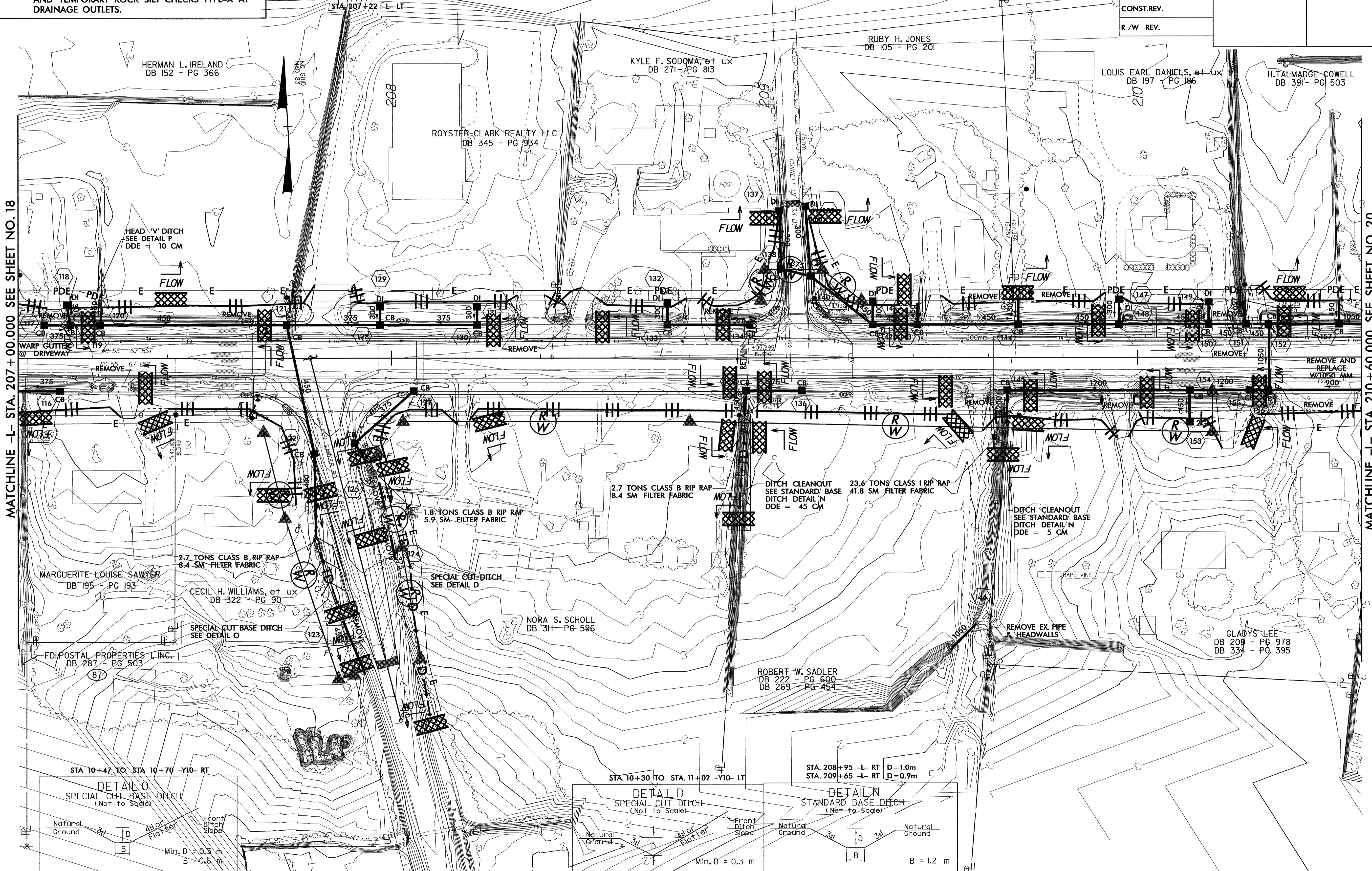


PROJECT REFERENCE NO. R-2539C		SHEET NO. EC-22/ CONST.19	
R/W SHEET NO.			
ROADWAY DESIGN ENGINEER		HYDRAULICS ENGINEER	
CONST.REV.			
R/W REV.			



MATCHLINE -L- STA. 207 + 00.000 SEE SHEET NO. 18

MATCHLINE -L- STA. 210 + 60.000 SEE SHEET NO. 20



04-NOV-2004 10:53:30 R2539C19.PSH  
dr: ml: 10/15/04