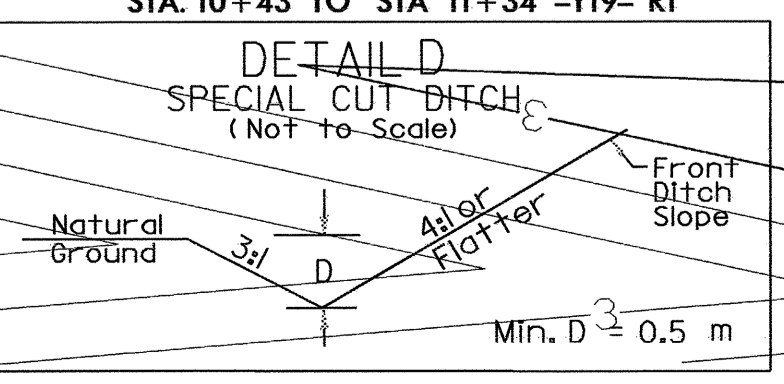
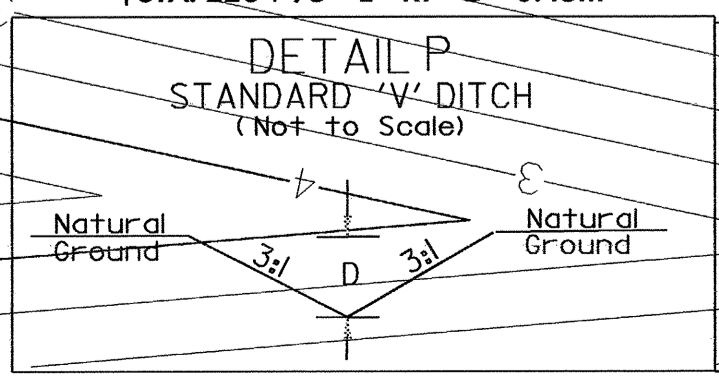
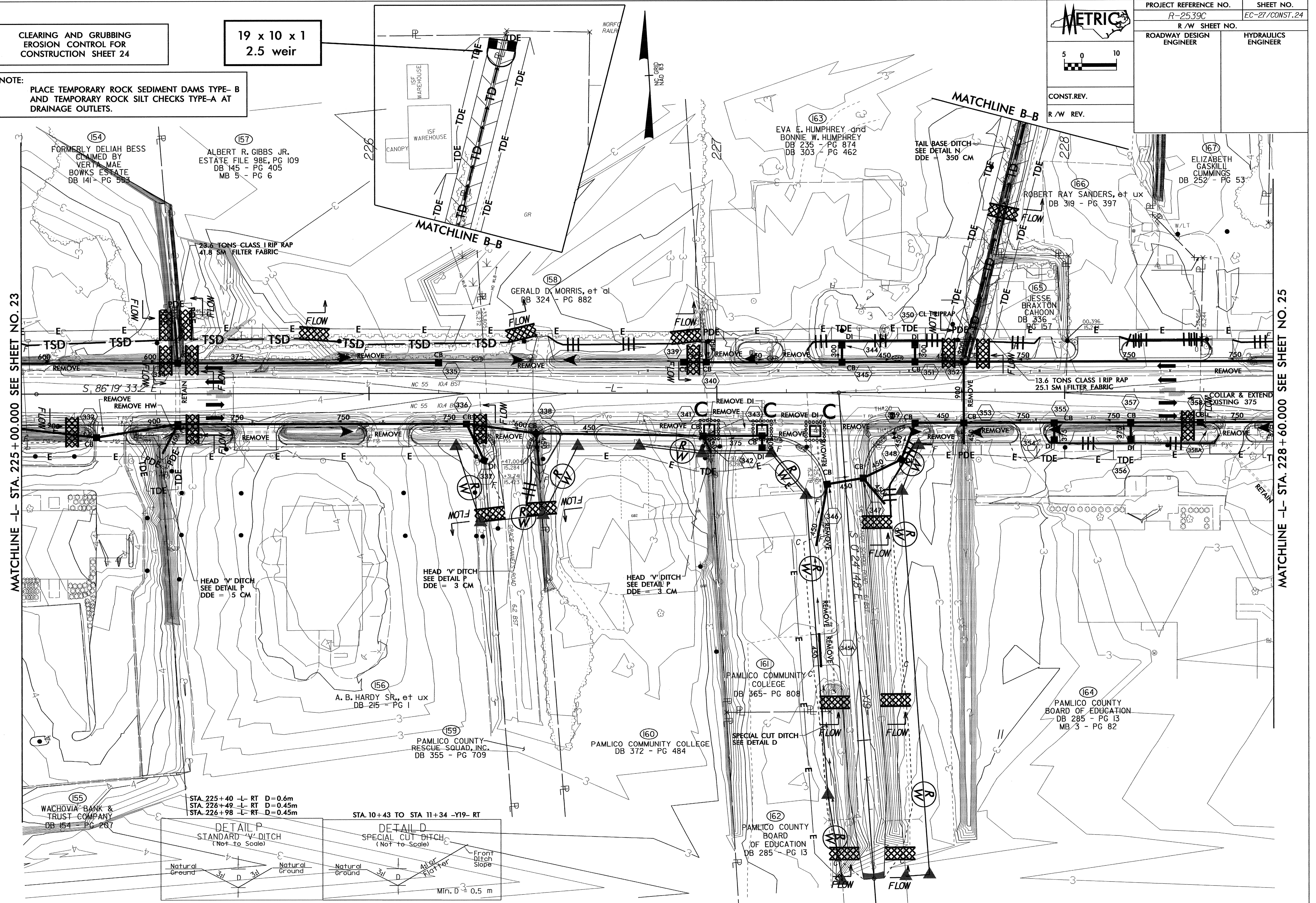


PROJECT REFERENCE NO. R-2539C	SHEET NO. EC-27/CONST.24
R/W SHEET NO.	HYDRAULICS ENGINEER
ROADWAY DESIGN ENGINEER	
CONST. REV.	
R/W REV.	

CLEARING AND GRUBBING  
EROSION CONTROL FOR  
CONSTRUCTION SHEET 24

19 x 10 x 1  
2.5 weir

NOTE:  
PLACE TEMPORARY ROCK SEDIMENT DAMS TYPE-B  
AND TEMPORARY ROCK SILT CHECKS TYPE-A AT  
DRAINAGE OUTLETS.



04-NOV-2004 10:27  
C:\Users\paul\Documents\2539c\24.PSH  
m:\aig\hch