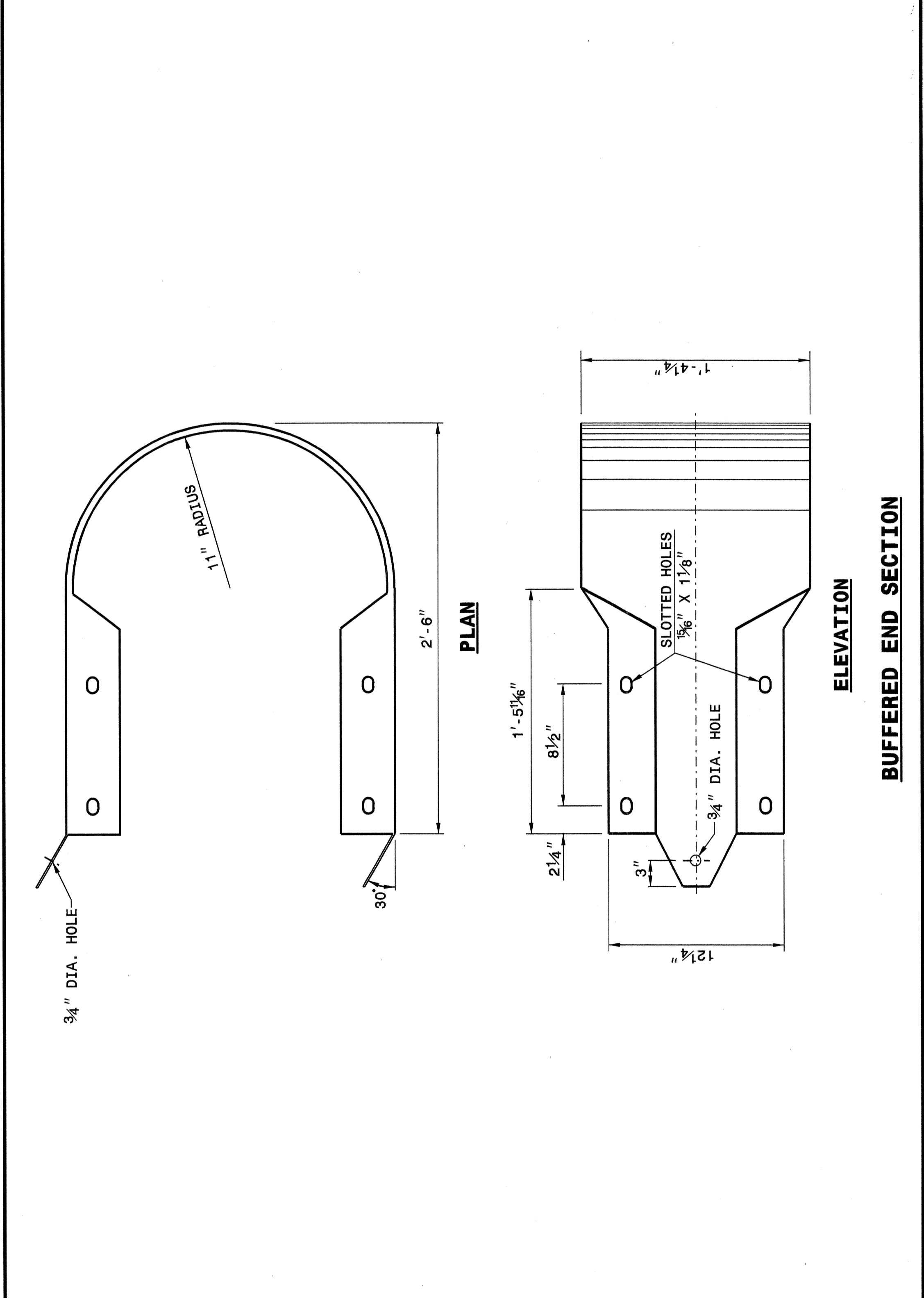


STATE OF NORTH CAROLINA  
DEPT. OF TRANSPORTATION  
DIVISION OF HIGHWAYS  
RALEIGH, N.C.

ENGLISH DETAIL DRAWING FOR  
**GUARDRAIL INSTALLATION**

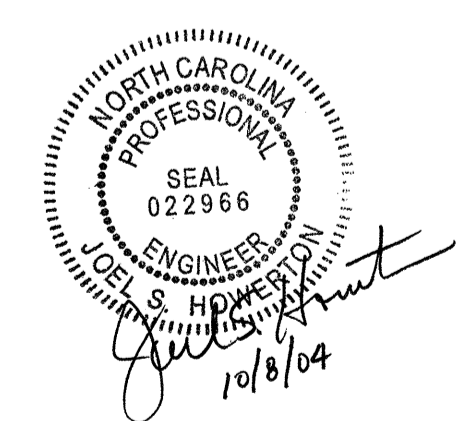
SHEET 7 OF 7  
**862D02**



STATE OF NORTH CAROLINA  
DEPT. OF TRANSPORTATION  
DIVISION OF HIGHWAYS  
RALEIGH, N.C.

ENGLISH DETAIL DRAWING FOR  
**GUARDRAIL INSTALLATION**

SHEET 7 OF 7  
**862D02**



**DESIGN SERVICES UNIT  
STANDARDS AND SPECIAL DESIGN**  
Office 919-250-4128 FAX 919-250-4119

**SEE PLATE FOR TITLE**

ORIGINAL BY: 2002 STD.862.02 DATE: \_\_\_\_\_  
 MODIFIED BY: E.E. WARD DATE: 02-09-03  
 CHECKED BY: *[Signature]* DATE: 4-29-04  
 FILE SPEC.: /usr/stds/02todetail/english/86202/862d02.dgn